

What if shower renovation was simple, fast and clean?

Technical Handbook
2026



Support American manufacturing and build on premium-quality and service you can count on!

...wedi®
an ARDEXGROUP Company



Contents

Please **click** on the topic you want to learn more about to be automatically redirected to that page.

01	What is wedi?		
04	What is wedi?	128	Technical Data
05	How to plan & build a complete wedi Shower in 5 Steps	131	ICC PMG 1189 Report
124	wedi Services & Added Value	132	wedi Warranty
125	wedi Certified Installer & Certified Installer PRO Program	136	Requirements and Limitations
126	wedi First Time Job Assistance Program	142	Technical Drawings
127	Becoming and Authorized Dealer or Authorized Distributor		

Please **click** on the product family you want to learn more about to be automatically taken to it's table of contents:

- [wedi Fundo® Shower Systems](#)
 - [wedi® S-DRY™ Shower System](#)
 - [wedi® Vapor 85 Steam Room System](#)
-
- [wedi® Shower Upgrades](#)
 - [wedi® PRO-Preparation & Installation Systems](#)

02	wedi Fundo® Shower Systems
15	What is wedi Fundo®?
16	wedi Fundo® Point Drain Shower System - Information, Drain Assembly, & Base Modification
18	Installing a wedi Fundo® Shower System
23	Installing a wedi Fundo® Curbless Shower System
30	Installing a wedi® Curbless Shower Recess Kit
33	Installing wedi®-Extension Panels
37	wedi Fundo® Linear Drain Shower System - Information, Drain Assembly, & Base Modification
39	Installing a wedi Fundo® Linear Shower System
42	Installing a wedi Fundo® Linear Modular Shower System
45	Installing a wedi® Shower Curb & Ramp
47	Shower Wall Products
48	wedi® Building Panel Systems - Applications and Installation Information
52	wedi® S-DRY™ Membrane on Walls & Floors
53	Installation Accessories - Fastener Kit, Sealants & Finishing Materials
55	Shower Finishing Details - wedi Fundo®-Point Drain Covers - Information & Installation Manual
57	Shower Finishing Details - wedi®S-DRY™-Point Drain Covers - Information & Installation Manual
	Shower Finishing Details - wedi Fundo®-Linear Drain Covers & Frames - Information & Installation Manuals



More on next page

Contents

Please **click** on the topic you want to learn more about to be automatically redirected to that page.

- [59 Shower Finishing Details - wedi® Shower Niche Shelves - Information](#)
- [64 Product Order Information - wedi Fundo® Products](#)
- [65](#)

03 wedi® S-DRY™ Shower System

- [85 What is wedi® S-DRY™?](#)
- [86 wedi® S-DRY™ Product Insights](#)
- [88 wedi® S-DRY™ Full Shower System - Installation Manual](#)
- [93 wedi® S-DRY™ BFD - Bonding Flange Drain - Installation Manual](#)
- [96 wedi® S-DRY™ Performance & Technical Data](#)
- [97 Product Order Information](#)

04 wedi® Vapor 85 Steam Room System

- [103 What is wedi® Vapor 85?](#)
- [104 wedi® Vapor 85 Steam Shower and Steam Room System Installation Manual](#)
- [106 Product Order Information](#)
- [107 wedi® Subliner Dry - Installation Manual](#)
- [109 Product Order Information](#)

05 wedi® Shower Upgrades

- [110 What are wedi® Shower Upgrades?](#)
- [111 Installing wedi Sanoasa® Shower Benches](#)
- [113 Installing wedi® Shower Bench Kits](#)
- [114 Installing wedi® Suspended Corner Shower Seats](#)
- [115 Installing field fabricated seats and benches using standard 2 inch wedi® Building Panel](#)
- [116 Installing wedi® Shower Niches](#)
- [117 Product Order Information](#)

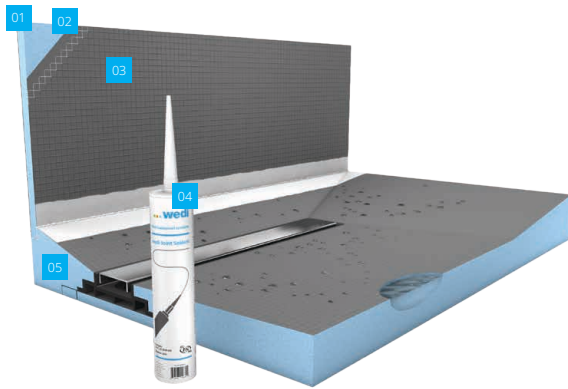
06 wedi® PRO-Preparation & Installation Systems

- [121 What are wedi® PRO-Preparation & Installation Products?](#)
- [122 wedi® PRO-Preparation & Installation Systems - Products and Applications](#)
- [123 Product Order Information](#)

01 What is wedi?

wedi is the expert manufacturer and brand that makes the original wedi® Building Panel and Fundo® shower system. wedi is a proud part of the Ardex Group of companies and brings with it over 40 years of experience as the expert company in designing and making “Best-in-Class” shower systems. Today, multiple shower systems are available: wedi Fundo® is a Premium Performance and Premium Quality shower system preferred by renovation and tile contractors who value installation speed, cleanliness and getting the best material quality out there; wedi® S-DRY™ is a high performance and high quality shower system which is often used by tile contractors working in new construction or commercial construction and where pre-existing walls like drywall need to be waterproofed. wedi® Vapor 85 is a product system that is compatible with both wedi Fundo® and wedi® S-DRY™ shower bases when used in steam room and steam showers. wedi also provides premium installation materials and accessories such as wedi® PRO-SET™ thinset mortar to complement the wedi system installation and ensure premium warranty coverage.

wedi Fundo®:



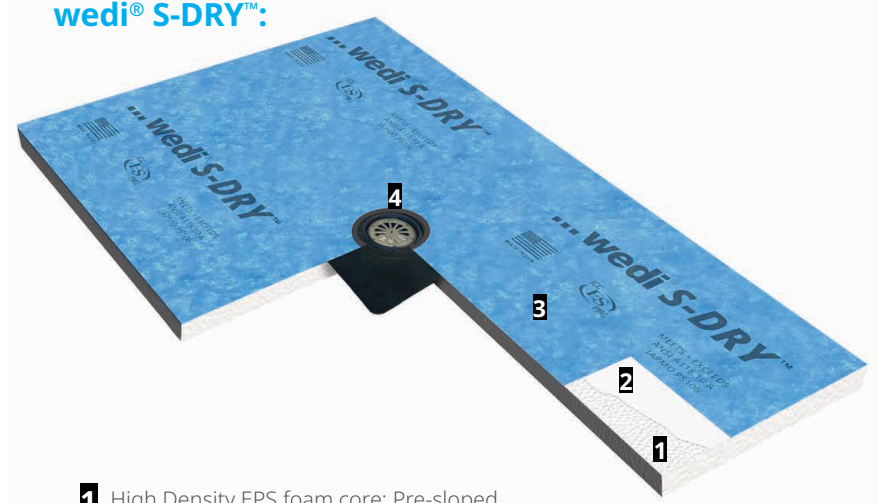
- 1** wedi closed cell XPS foam core for waterproofing and lightweight handling
- 2** embedded mesh reinforcement for highest tile backing strength
- 3** wedi cement resin coating for highest bond strength to tile adhesives
- 4** wedi® Joint Sealant: waterproofing and reinforcement of seams with no build up
- 5** factory integrated and waterproof wedi Fundo® Click and Seal® technology

wedi® Vapor 85



Wall and ceiling building panel with built-in vapor barrier surface and its own joint treatment and fastener system. Use with wedi Fundo® or S-DRY™ shower bases.

wedi® S-DRY™:



- 1** High Density EPS foam core; Pre-sloped.
- 2** S-DRY™ SEAL coating for added waterproofing and strength.
- 3** S-DRY™ Membrane for primary waterproofing and bond surface.
- 4** S-DRY™ Drain fully integrated and waterproofed with low profile installation depth ensuring it does not interfere with floor joists. The flange provides solid support especially to small tile and over subfloor cut-outs where the drain connects to plumbing.

wedi® PRO-Preparation & Installation



Premium performance thinset mortar meeting and exceeding ANSI A 118.15 standard - use this product to install wedi product as well as most tile and stone.

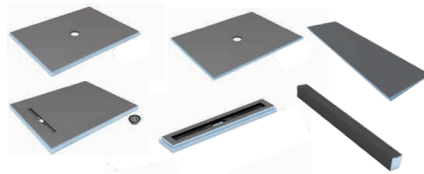
How to plan and build a complete wedi shower in 5 Steps

While many of the wedi shower systems are marketed as complete kits in one box, there is also a wide range of à la carte product options to create a completely custom shower design. This section will explain which products are needed to create a shower floor or wall, which products are needed to equip the shower with niches or benches, and which installation accessories are necessary for the assembly. On the following pages, we will guide you through the simple 5-step process of putting together a wedi shower system.

This page shows you how to select all products needed to build your custom shower a la carte and step by step.

Step 1: Choose Your Shower Wall Products

Needed for the shower floor. The wedi® Shower Base options feature waterproof performances, prefabricated surface slopes, integrated drains and they can be cut to custom sizes.



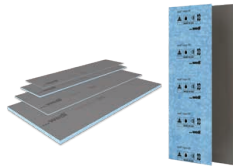
- wedi Fundo® Shower Base - point drain (center or off center), used with curb
- wedi Fundo® Curbless Shower Base - curbless entry shower base with point drain
- wedi Fundo® Linear Shower Base - linear drain, used with curb
- wedi Fundo® Extensions and Curbs



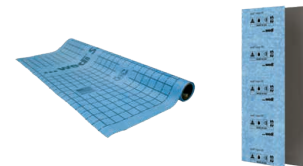
- wedi® S-DRY™ Shower Base - point drain (center or off-center), used with or without curb
- wedi® S-DRY™ Extensions
- wedi® S-DRY™ BFD (Bonding Flange Drain)
- wedi® S-DRY™ Curbs

Step 2: Choose Your Shower Floor product

Needed to build and waterproof the shower walls. All wedi® Building Panels including wedi® Vapor 85 & wedi® S-DRY™ BOARD are high strength tile backer boards designed for specific purposes like the use over framing in different shower or steam shower system installations. wedi® S-DRY™ is a sheet waterproofing membrane used over pre-existing wall panels like drywall in showers or cement board in steam showers.



- wedi® Building Panels can be used:
- For wedi® S-DRY™ Shower Systems
- wedi® Vapor 85 Panels can be used:
- For steam rooms and steam showers with wedi® Fundo® or S-DRY™ shower floors and systems



- wedi® S-DRY™ membrane or wedi® Vapor 85 Panels can be used:
- With wedi® S-DRY™ Shower Systems
 - With mortar bed shower bases

Step 3: Choose and Add Your Shower Upgrade Products

Optional design upgrades that offer functional value to showers while integrating into the waterproof system installation.



- These items may be used with **ANY** wedi® Shower Installation System!
- Curbs (Full, Lean, or AT)
 - Recessed Niches
 - Benches and seats
 - Sloped shower ramps

Step 4: Choose Your Installation Accessories

Needed to seal, connect and finish the shower system in our fully waterproofed installation.



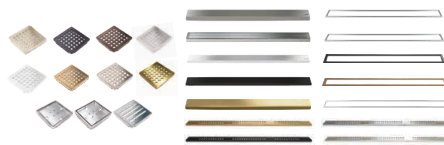
- wedi® Joint Sealant
- Fastener systems (washers and screws)
- Tools for wedi® installations (wedi® Corner Putty Knife, wedi® Sealant Gun, etc.)



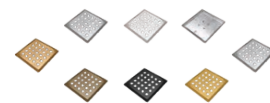
- wedi® S-DRY™ Tapes and Collars
- wedi® S-DRY™ SEAL
- wedi® S-DRY™ SEAL Trowel

Step 5: Choose Your Finishing Details

Sold separately to allow further customization of the final shower designs. We offer point and linear drain covers in a variety of finishes. Choose one that matches the finish of your other shower fixtures.



- wedi Fundo® Drain Covers are made from solid gauge premium grade stainless steel and are laser cut for precision and hand polished.
- Available designs, colors, and finishes:
- Stainless steel, matte black, polished chrome, polished gold, matte white, champagne, oil rubbed bronze, brushed brass, or slotted and perforated options for point drains
 - Two sizes of tileable point drain covers
 - Stainless steel, matte black, brass, tileable and channel frame options for linear drains



- wedi® S-DRY™ Drain Covers are made from American 304 stainless steel and are designed for quality performance.
- Available designs, colors, and finishes:
- Stainless steel, matte black, polished chrome, polished gold, oil rubbed bronze, or brushed brass options for Drain Covers
 - wedi Fundo® Covers can also be used with wedi® S-DRY™ Shower Systems*
- *May require use of the wedi® S-DRY™ Fundo Drain Cover Support Kit.

Putting together a wedi shower system

Step 1: Choose shower floor products by size and requirements

Here is how you select the right shower base size to fit the job in most cases:

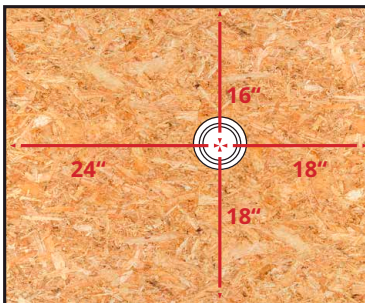
Determine the distance between the center of the 2 inch pipe in the subfloor to all framed walls and where you plan to have the inside of a wedi curb (as if it were another framed wall). Next, take note of the longest dimension of the two distances measured along each axis (east/west and north/south).

You will need to select a shower base that covers twice the length of the longest dimensions along each axis. This will ensure that the shower base will cover the entire shower area and, if needed, can be trimmed on-site to position the integrated wedi drain over the 2 inch wastepipe in the subfloor.

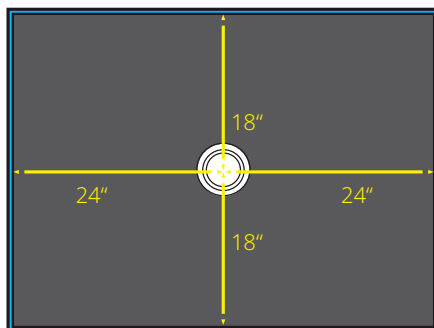
This method of calculating the correct shower base works for square and rectangular spaces with a mostly-centered drain location. Where drains are very close to a wall, one of our off-center drain bases should be used, if possible. Refer to our Technical Drawings section to select the correct base that will cover your shower dimensions and properly align the integrated wedi drain with the floor drain pipe.

See an example here: where we picked a 36 inch x 48 inch wedi Fundo® Shower Base to fit best into a shower space with an offset drain, measured at 16 inch from the east/west wall and 18 inch from the north/south wall:

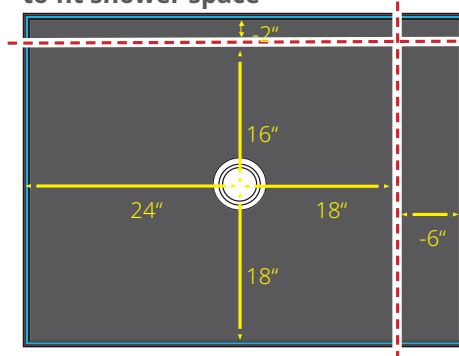
Offset drain location in 34 in. x 42 in. shower area



wedi Fundo® Shower Base 36 in. x 48 in. Base with Center Drain



Cuts on 36 in. x 48 in. shower base to fit shower space



- i** When modifying shower bases, always remember to recreate the prefabricated channel in wedi Fundo® shower bases. Please consider the individual perimeter thickness of wedi shower bases so that floor recesses and floor transitions can be properly planned, especially when designing curbless showers. Please note, wedi® S-DRY™ shower bases are purposely oversized to easily accommodate standard sizes even where the drain is slightly off center.

Putting together a wedi shower system

Step 1: Choose shower floor products by size and requirements

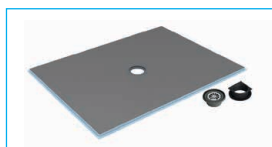


wedi Fundo® Shower Base

The original wedi® shower base with center or off-center drain locations. These robust, pre-sloped, internally waterproof shower floor bases come with a wedi® Fundo Click and Seal® Drain Kit. You can select one of our square wedi® Drain Cover options to fit the preferred design.

Key features:

- Multiple base sizes and extensions available: all customizable on site, if needed.
- Square and rectangular base options with center or off-center point drain locations.
- Slope design allows for use of small or large-format tile when cut along slope lines.
- Install over various types of subfloors.
- Solid and internally waterproof core material reducing the risk from walked in nails or pinhole damages during construction.
- Offers a cement covered surface for premium shear -and tensile bond strength with tile and most all thinset mortars suitable for wet areas.
- Fast and controlled connection to plumbing waste lines made from top surface to a pipe cut flush to the floor.



wedi Fundo® Curbless Shower Base

These pre-sloped and internally waterproof shower bases are designed with a low profile perimeter thickness ranging from ¾ inch to 1 ¼ inch to allow for an easier recess into subfloor construction or when barrier-free entry is required (where the shower base surface needs to be flush with the surface of the underlayment products used on the adjacent bathroom floor). They come with a wedi® Fundo Click and Seal® Drain Kit. You can select one of our square wedi® Drain Cover options to fit the preferred design.

Key features:

- Use in combination with wedi® S-DRY™ sheet waterproofing membrane or wedi Building Panels applied at least 2 ½ ft. out into the bathroom floor area for a waterproof transition.
- When used with a wedi® Curbless Shower Recess Kit Installation Kit, you can easily and safely recess single layer ¾ inch plywood subfloors in between 16 inch on-center floor joist designs (solid joists or engineered I-joists).
- All the wedi Fundo® key features but specifically designed for lowest installation depth into a subfloor structure
- Fast and controlled connection to plumbing waste lines made from top surface to a pipe 5/8" below the floor using an inside pipe cutter.



wedi Fundo® Linear Shower Base

wedi Fundo® Linear Shower Base

These pre-sloped and internally waterproof shower bases come with an integrated linear drain channel and a wedi® Fundo Click and Seal® Drain Kit. The linear bases offer a 4-way slope, while the wedi Fundo® Linear Shower Module offer a 2 part single slope linear drain shower design (a drain module with an integrated linear drain and an extension module to create the sloped shower base floor). You can select one of our linear wedi® Drain Cover options to fit the preferred design.



wedi Fundo® Linear Shower Module

Key features:

- Linear base: single-piece base featuring a 4-way slope design and level perimeter for safe recessing into a subfloor construction.
- Linear shower module: requires two components — the linear shower module and extension module, featuring a one-way slope with close-to-wall drain placement.
- All the wedi Fundo key features but specifically offering integrated factory waterproofed linear drainage and single slope options.
- Easy maintenance by simply lifting up the channel to clean.
- Fast and controlled connection to plumbing waste lines made from top surface to a pipe cut flush to the floor.



wedi® S-DRY™ Shower Base

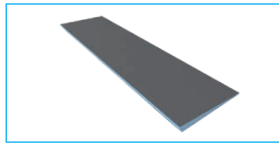
wedi® S-DRY™ Shower Bases are waterproofed and feature a durable surface allowing for small and large size tile finishes. What's more, the shower base is insulating, light but very dense, and easy to cut and customize with a utility knife.

Key features:

- High Density EPS foam core; Pre-sloped.
- wedi® S-DRY™ SEAL coating for added waterproofing and strength.
- wedi® S-DRY™ Membrane for primary waterproofing and bond surface.
- wedi® S-DRY™ Drain fully integrated and waterproofed with low profile installation depth ensuring it does not interfere with floor joists. The flange provides solid support especially to small tile and over subfloor cut-outs where the drain connects to plumbing.

Putting together a wedi shower system

Step 1: Choose shower floor products by size and requirements



wedi® Shower Extensions

wedi® Shower Extensions are robust, pre-sloped, and internally waterproof. You can select one or more extensions to extend your shower floor area to the exact size your project requires.

Key features:

- Multiple sizes: all customizable on site, if needed.
- Straight and corner extensions available.
- Slope design allows for use of small or large-format tile when cut along slope lines.
- Install over various types of subfloors.
- Solid and internally waterproof core material reducing the risk from walked in nails or pinhole damages during construction.
- Offers a cement covered surface for premium shear -and tensile bond strength with tile and most all thinset mortars suitable for wet areas.



wedi® Shower Curbs

These internally waterproof shower curbs are designed for shower entry designs where transitions are required. All wedi curb options except wedi® Curb Caps, which work in combination with 2 x 4 framing support, are slightly sloped to direct water towards the drain of the shower. All wedi curbs can carry a weight of 280 lbs./ft.

Key features:

- Multiple sizes and styles: all customizable on site, if needed.
- Shower Curb AT designs - perfect for glass door construction.
- Slope design allows for use of small or large-format tile when cut along slope lines.
- Install over various types of subfloors.
- Solid and internally waterproof core material reducing the risk from walked in nails or pinhole damages during construction.
- Offers a cement covered surface for premium shear -and tensile bond strength with tile and most all thinset mortars suitable for wet areas.



wedi® S-DRY™ Shower Extension

wedi® S-DRY™ Extensions can extend your shower floor area to the exact size your project requires. Choose one or more extensions to fit your design. These extensions are waterproofed and feature a durable surface allowing for small and large size tile finishes.

Key features:

- High Density EPS foam core; Pre-sloped.
- wedi® S-DRY™ SEAL coating for added waterproofing and strength.
- wedi® S-DRY™ Membrane for primary waterproofing and bond surface.
- Slope design allows for use of small or large-format tile when cut along slope lines.
- Install over various types of subfloors.



wedi® S-DRY™ Shower Curb

wedi® S-DRY™ Curbs are designed for shower entry designs where transitions are required. These curbs are waterproofed and feature a durable surface allowing for any size tile finishes. Curbs can be sloped towards the draining using thinset mortar (such as wedi® PRO-SET™) during installation.

Key features:

- Multiple sizes: customizable on site, if needed.
- High Density EPS foam core; Pre-sloped.
- wedi® S-DRY™ SEAL coating for added waterproofing and strength.
- wedi® S-DRY™ Membrane for primary waterproofing and bond surface.

Putting together a wedi shower system

Step 2: Choose shower wall products by size and requirements

To determine the size and quantity of wedi® Building Panels you will need for your shower, please follow the steps outlined below:

First, you must calculate the total area of the shower walls. To do this, measure the area of each shower wall by multiplying the length of the wall by the height. The height of each wall will be determined based on how high you plan to install the tile. Next, add the calculated square footage of each wall together to determine the combined sum of all the shower walls. Account for about 15% extra square feet of building panel or wall membrane for any waste cuts by multiplying the combined area of all shower walls by 1.15. If you select S-DRY™ membrane, you would want to consider extra surface for the needed 2 inch overlap at seams unless you will work with tape to cover seams.

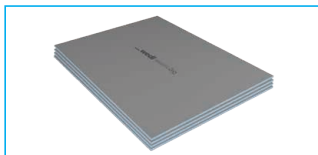
Next, divide the total area of the shower walls by the square foot area of the wedi® Building Panels or membranes you plan to use (eg: 4 x 5 ft. building panel = 20 square feet). A total shower wall area of 115 square feet divided by 20 square feet per building panel gives us a total of 5.75 building panels. Remember to always round up to the next whole building panel or roll of wall membrane.

Please note: wedi® Building Panels and wall membranes must extend to the outside edge of the shower curb element for proper water-proofing, so be sure to account for the added dimensions of the shower curb to your shower side walls when determining the size of the building panels or wall membranes. For example, a 3 x 5 foot building panel is NOT a good option for a 36 inch shower wall, where the curb extends beyond the 36 inch shower base, because you will have to install the panel horizontally to reach the outside edge of the curb, resulting in unnecessary waste.

In general, the larger building panels or the S-DRY™ XL wall membrane are the more economic option. The traditional 3 x 5 foot building panels are most often used for tub surrounds where the true dimensions of the tub are closer to 32 in. x 60 in.

Please note: in steam shower projects, you will also need enough Vapor 85 building panels to cover the ceiling (calculate square feet as you did for walls, and choose the largest panels possible for faster and cleaner installation with fewer seams to treat overhead).

Tip: choose the wedi® Building Panel sizes that will keep your installation process fast, efficient, and eliminate unnecessary seams and waste. For example: a shower wall that is 5 feet wide and 8 feet high can be covered with TWO of the 4 x 5 foot wedi building panels, whereas that same wall would require THREE of the 3 x 5 foot building panels, resulting in an extra seam and wasted product. Especially when working with wall membrane try to use membrane lengths that will allow you to minimize the number or length of seams because they are more involved to prepare.



wedi® Building Panels

The perfect waterproof tile backer board and substrate for nearly any wall, floor, or ceiling application in interior wet areas. A variety of sizes and thicknesses to accommodate different projects and applications.

Key features:

- Multiple sizes and thicknesses: all customizable on site, if needed.
- Solid and internally waterproof core material reducing the risk from walked in nails or pinhole damages during construction.
- Offers a cement covered surface for premium shear -and tensile bond strength with tile and most all thinset mortars suitable for wet areas.



wedi® Vapor 85

The wedi® Vapor 85 Building Panel is used for steam rooms and steam showers. Its coating is formulated to bond best with S-DRY™ SEAL.

Key features:

- Special tile backer board system designed and made for premium performance in steam shower and steam room installations
- Customizable on site, if needed.
- Features an additional vapor barrier membrane pre-applied by wedi on the vapor facing side of the panel



wedi® S-DRY™ Membrane

The wedi® S-DRY™ Membrane can be used to waterproof walls in a wedi® S-DRY™ Shower System, and is made from the same fabric that is used to waterproof all wedi® S-DRY™ products.

Key features:

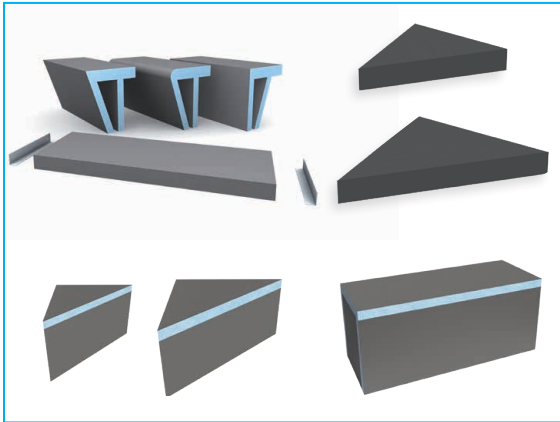
- Can be used over existing drywall, cement board, or other existing wall panels in S-DRY™ Systems.
- Extremely strong waterproofing and vaporproofing capabilities.

i For options and pricing, refer to wedi's Illustrated Price List or www.wedicorp.com.

Putting together a wedi shower system

Step 3: Choose shower upgrades by size and requirements

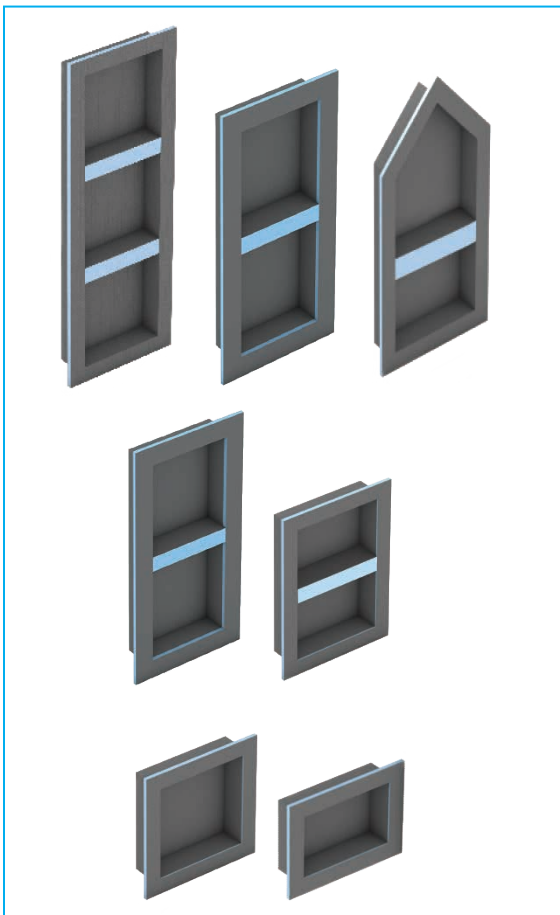
wedi offers a variety of customizable add-ons and design upgrades. Made from prefabricated wedi® Building Panels, these additional items offer the same durability and waterproof seal as the rest of our shower system. wedi prefabricated modules can be cut to fit any size and can bring added comfort, functionality, organization, and safety to any shower, bath, or wet room design.



wedi® Shower Seats and Benches

Seating options inside a shower design can add both value and comfort. Choose a seat or bench that best compliments your shower design.

- Prefabricated, slightly-sloped bench options.
- Suspended seat solutions with mounting brackets for existing framing.
- If our prefabricated options don't fit your design, you can create a custom piece using 1½ inch or 2 inch building panels.



wedi® Shower Niches

The perfect fit for all shower necessities like shampoo bottles in various sizes. Our wedi® Shower Niches are made from the waterproof wedi® Building Panel for absolute strength and integrate smoothly into every wedi shower installation.

- Can be trimmed or extended if needed.
- Further customization can be achieved by utilizing wedi® Shower Niches Shelf options in place of the adjustable shelves that are included with our larger niche options. (Shelf information available in Step 5).
- wedi Shower Niches can be used in wedi® S-DRY™ assemblies and transitions are waterproofed using S-DRY™ SEAL and S-DRY™ tape.

Putting together a wedi shower system

Step 4: Choose installation accessories

Now it's time to put your wedi shower system together. Whether it is a traditional shower or steam shower, wedi offers all the accessories needed to complete the installation with safety and ease. At wedi, we understand that details such as seams and fasteners are critical in the performance of the entire wedi system.



Sealants

wedi® Joint Sealant - Used in conventional shower and tub designs to waterproof, connect, and reinforce seams and fastener points.

- Packaged in 10.5 oz. tubes or 20 oz. sausages.
- Average shower installation uses approximately 1.2 oz. of wedi® Joint Sealant per square foot of wall panel surface (includes a shower base and curb installation).

Example: A 3 x 5 ft. shower with three walls 8-foot tall and one 5-foot curb may require up to ten 10.5 oz. cartridges of wedi® Joint Sealant, or five 20 oz. wedi® Joint Sealant sausages.

- Prefabricated modules or design upgrades may require additional 10 oz tubs of wedi® Joint Sealant: shower niches - one additional, seats - two additional, benches - three additional.

wedi® S-DRY™ SEAL - Used for sealing and connecting membranes, corners, seams and pipe protrusions in a wedi® S-DRY™ System.

- Powder and liquid components mixed together to create compound.
- Packaged as a 32 oz. bottle and 2 16 oz. (total 32 oz.) bags.
- 1 bag of powder is mixed with half a bottle of liquid to create compound.

wedi® Sealant 620 - used with Subliner Dry products this product will be replaced with wedi® S-DRY™ SEAL in 2026.

- Packaged in 10.5 oz. tubes or 20 oz. sausages.

wedi® Sealant Gun and Replacement Tips - Used to easily apply wedi® Joint Sealant or Sealant 620.

- Replacement tips packaged in boxes of 10.
- Used with either 10.5 oz. cartridges or 20 oz. sausages.



Fasteners and Tools

wedi® Fastener Kits - Used to fasten wedi® Building Panels to wall framing structure.

- Packaged in units of 100: coated Phillips head screws in the ideal length and gauge to work with wood framing and light gauge metal framing; tab washers made of strong gauge treated steel to integrate the screw head safely and hold the weight of the finished installation.
- Average shower or steam room installation uses one wedi screw and washer per square foot of wedi® Building Panel. **Note:** on a ceiling application, you will need to double the amount of fasteners (ceiling square footage multiplied by 2 + wall square footage for the total washers/screws needed).

wedi® Tabless Fastener Kits - Used for Vapor 85 assemblies (and flooring installations with 1/4 inch or 3/8 inch wedi® Building Panels).

- Packaged in units of 100: coated Phillips head screws in the ideal length and gauge to work with wood framing and light gauge metal framing; tabless washers made of strong gauge treated steel to integrate the screw head safely and hold the weight of the finished installation.
- Average shower or steam room installation uses one wedi screw and washer per square foot of wedi® Building Panel. **Note:** on a ceiling application, you will need to double the amount of fasteners (ceiling square footage multiplied by 2 + wall square footage for the total washers/screws needed).

wedi® Corner Putty Knife - Used to smooth out wedi® Joint Sealant or Sealant 620 applications.

- Packaged individually.
- Putty knife blade markers indicate proper seam treatment width.
- Specially-shaped with round tip for corner seam sealant application and often used in combination with standard flat putty knives on flat seams or fastener point sealant application.

Putting together a wedi shower system

Step 4: Choose installation accessories

The wedi® Subliner Dry system aids in the installation of waterproof transitions between the plumbing and the shower, the shower base and bathroom floor, in steam or vapor rooms, and in other applications where pliable surface waterproofing with low buildup is ideal.



wedi® Installation Accessories

wedi® S-DRY™ Membrane - Sheet waterproofing membrane used to cover wall surfaces and other surfaces in a wedi® S-DRY™ Shower system or over mortar bed installations.

- Packaged in rolls, 50 in. x 25 ft. or 80 in. x 16 ft. (XL).
- Average wedi® S-DRY™ shower installation uses one roll of 50 in. x 25 ft. wedi® S-DRY™.

wedi® S-DRY™ Tape - Used create a waterproof seal over wall surface transitions and other surface transitions.

- Packaged in a 5 inch wide x 32 ft. long roll.
- Average 3 ft. x 6 ft. wedi® S-DRY™ shower with 4 walls, ceiling and 2 benches uses three rolls of wedi sealing tape.

wedi® Vapor 85 Fastener Patches - Used to waterproof and vaporproof fastener points in steam shower installations.

- Packaged in kits of 100 3 in. x 3 in. patches.
- Applied with wedi® Sealant 620.

wedi® Subliner Dry Tub Tape - Used to create a waterproof back-up to a tub's traditional surround wall backers when no tub flange or only partial flanges are built into the tub.

- Packaged in a 5 in. wide x 12 ft. long roll with a self-adhesive strip to adhere to a smooth tub surface and is sealed against framed blocking using wedi® Joint Sealant (serves as a back up for otherwise-vulnerable sealed joints between a backer board and a prefabricated tub surface when no flanges secure waterproofing).
- Average tub installation uses one roll of wedi® Tub Sealing Tape.

wedi® S-DRY™ Inside and Outside Corners - Used to aid waterproof and vaporproof transition between shower base and any corners within 30 inches of the shower on the outside of wedi shower bases in the general bathroom area or in steam shower applications with wedi® Vapor 85.

- Average curbless shower installation may use two wedi® S-DRY™ Outside Corners.
- Average steam shower installation may use six-to-eight wedi® S-DRY™ Inside Corners and six-to-eight wedi® S-DRY™ Outside Corners.
- Packaged as sets of two, in 90° or 135° angles.

wedi® S-DRY™ Sealing Collars - Used to aid waterproof transition around shower pipe or fixture protrusions.

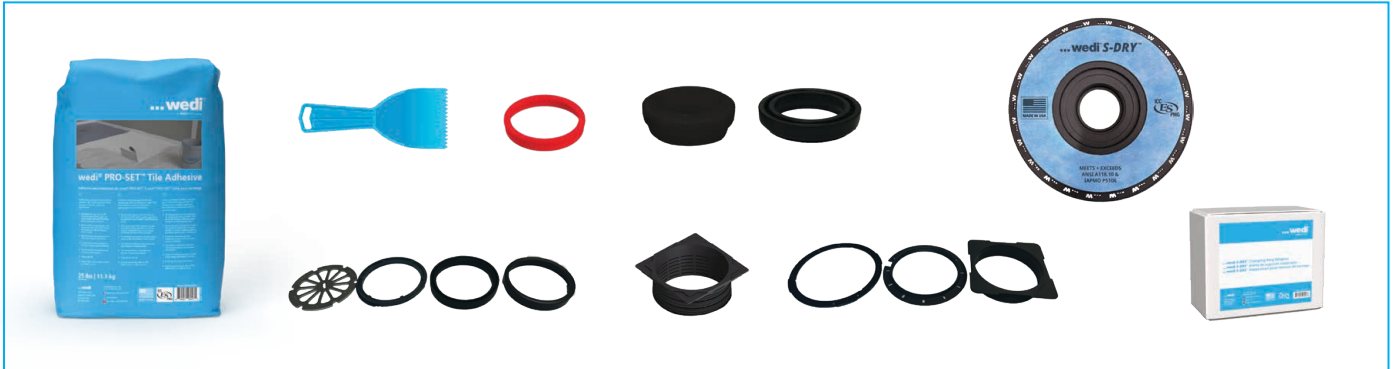
- Average shower or steam room installation uses one wedi® S-DRY™ Shower Pipe Collar per pipe protrusion and one wedi® S-DRY™ Mixing Valve Seal per mixing valve.
- Packaged individually.
- **Note:** Due to many design variants of mixing valves used in bathroom designs, the wedi® S-DRY™ Mixing Valve Seal may have to be modified to fit the installation. This can be done by cutting its fleece sheet to open up the diameter of its opening for larger mixing valves. The collar functions to divert moisture moving through the thinset layer behind a wall tile. The moisture in a wall assembly mostly moves downward and any cuts in the collar around the top half of the mixing valve should be avoided. Be sure to place with its correct side facing the framing - the side with the 1/2 inch long protruding rubber.

i For options and pricing, refer to wedi's Illustrated Price List or www.wedicorp.com.

Putting together a wedi shower system

Step 4: Choose installation accessories

The wedi® Pro-Preparation & Installation System products can be used to finish and complete your wedi Installation.



wedi® Installation Accessories

wedi® PRO-SET™ - Premium performance tile adhesive thinset mortar for adhering and setting wedi Fundo® or wedi® S-DRY™ shower bases/curbs to subfloors, or adhering tile after a wedi System has been installed.

- Mixed with water to create compound.
- Packaged as a 25lb bag of powder.

wedi® S-DRY™ Trowel - Used to apply wedi® S-DRY™ SEAL to waterproof and adhere wedi® S-DRY™ Sheet membrane overlaps, transitions, tape and corners, as well as PVC bonding flange drain connections.

- Packaged individually.

wedi® S-DRY™ Drain Parts

Replacement Kit - For use with wedi® S-DRY™ Drains in wedi® S-DRY™ Shower Bases.

- Mixed with water to create compound.
- Packaged individually.
- Includes Locking Nut, Gasket, Compression Spacer, and Wrench/Hair Catcher.

wedi® S-DRY™ Copper Pipe Kit - For use with wedi® S-DRY™ Drains in wedi® S-DRY™ Shower Bases.

- Packaged individually.
- Includes a Compression Spacer specifically designed to fit with copper pipes.

wedi® S-DRY™ 1 1/2" Pipe Kit - For use with wedi® S-DRY™ Drains in wedi® S-DRY™ Shower Bases.

- Packaged individually.
- Includes a Compression Spacer and insert specifically designed to fit with 1 1/2 in. pipes.

wedi® S-DRY™ Fundo® Drain Cover Support - For when using a Premium Drain cover from the wedi Fundo® product range with a wedi® S-DRY™ Shower Bases or wedi® S-DRY™ BFD.

- Packaged individually.
- Includes drain cover support piece.

wedi® S-DRY™ Height Adjustment Kit - For use with wedi® S-DRY™ Drain Covers in wedi® S-DRY™ Shower Bases. Kit to adjust height of drain covers by up to 5/8 in., allows it to rotate, and allows it to move laterally by 3/16 in. in all directions to adjust to the tile and grout layout. .

- Packaged individually.
- Includes Height Adjustment Collar, Snap Ring, Alignment Ring.

wedi® S-DRY™ BFD - For use in a mortar bed shower base installation. Will bring the drain 3/4 in. above the floor. Installation height may be increased using mortar.

- Packaged individually.
- Includes drain cover support piece.

wedi® S-DRY™ Clamping Ring Adapter - For use with wedi® S-DRY™ BFD when connecting to a traditional clamping ring drain.

- Packaged individually.
- Includes Clamping Ring Adapter.

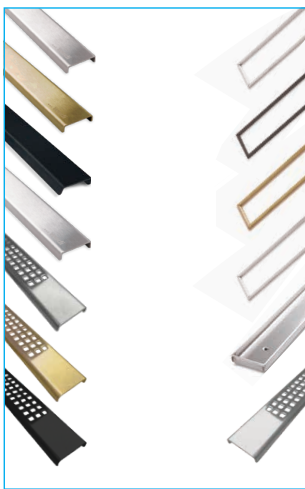
Putting together a wedi shower system

Step 5: Choose finishing details

After you have chosen your installation accessories, it's time to choose your final finishings. wedi offers a variety of premium finishing upgrades to put the perfect final touches on your bathroom design. Choose a drain cover or niche shelf finish to match the other fixtures in your bathroom.

wedi® Drain Covers

Drain covers are sold à la carte to allow you to select your finish. You can choose your drain cover set from our collection, available in various colors and designs. Each wedi Drain Cover is precision cut and made in the U.S.A from high quality stainless steel, with finishes that resist physical and chemical exposure challenges commonly found in wet room installations.. For detailed information about each of our different drain cover options, see the drain cover section of this book.



wedi Fundo® Linear Drain Covers

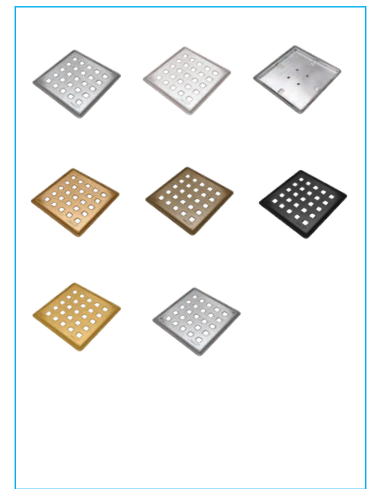
- Linear Covers and Channel Frames available.
- Available in a variety of colored finishes, or a tileable option.



wedi Fundo® Point Drain Covers

- Available in a variety of colored finishes or styles, or tileable options.
- Can be used with wedi Fundo® or wedi® S-DRY™ shower bases*.

*S-DRY bases may require use of the wedi S-DRY Fundo Drain Cover Support piece.



wedi® S-DRY™ Point Drain Covers

- Available in a variety of colored finishes.



wedi® Shower Niche Shelves

If you are adding a niche to your design, you can choose a premium shelf to replace the tileable foam shelf that comes with some of wedi's larger niches, and match it to your chosen drain cover.

- Available in low-iron, clear, tempered glass with pencil-polished edge; brushed stainless steel finish; or aluminum anodized in matte black finish.
- Installed with wedi® Joint Sealant or clear silicone, resting on niche tile assembly.

i For options and pricing, refer to wedi's Illustrated Price List or www.wedincorp.com.

Premium Quality and Maximum Performance in Almost All Situations

The original wedi System. Can be purchased as complete shower kits for curbed, curbless or linear applications, or individually for custom applications. The product line includes a large variety of sizes/thickness of building panels and shower bases; add-ons such as niches, benches, seats, curbs, extensions or a ramp; a large variety of drain cover finishes and styles; a complete system of installation accessories including sealant and tile adhesive.

The wedi Fundo® Shower System is great for projects where:



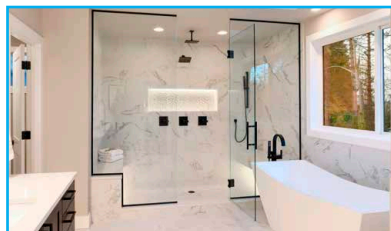
You want maximum durability, moisture protection and the highest level of warranty coverage.



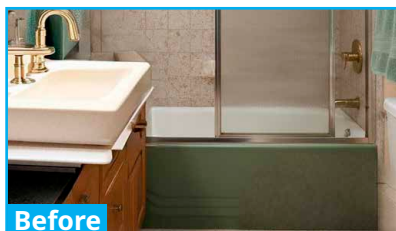
You are working on high-end residential, custom homes, or projects where longevity and performance are critical.



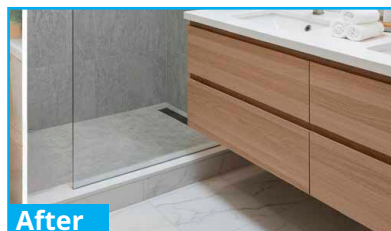
You need custom layouts, niches, benches, or specialty features.



You need upgraded applications such as curbless, linear, or steam showers.



You are working on a renovation projects where clean replacement installation and fastest turnaround is the priority.



Key Points:

- Internally waterproof core materials and installation assembly system.
- An array of sizes, designs, and product options for creative and complex layouts.
- Fastest route to tiling and/or flood testing.
- Modular assembly reduces errors and speeds up installation.
- With easy and versatile to use wedi® Fundo Click and Seal® drain technology.
- High point load resistant shower base surfaces allowing for use of large or small format tile and stone.
- Sealant applied seams to avoid build up at installation seams.
- High strength tile underlayment with best-in-industry tile bond surface.
- Covered by wedi's Warranty options up to the unique Limited Lifetime Warranty.
- Full service and support in the field.
- Made in the U.S.A. and Germany.

wedi Fundo® Point Drain Shower Systems

The wedi Fundo® and wedi Fundo® Curbless Shower System

wedi point drain shower systems (available as a complete shower kit or as à la carte products to customize the installation) offer reliable, cost-efficient solutions for constructing 100% waterproof and mold resistant showers. These systems are easy to install and open up a limitless array of design possibilities for showers, wet areas, and baths. They blend the traditional benefits of design flexibility and robustness while offering added benefits such as built-in waterproofing, exact slopes, and light weight build, along with state-of-the-art material and manufacturing technologies.

The wedi Fundo® Shower System offers full warranty coverage like all wedi systems, thanks to its consistent and inherently waterproof core, and its range of specially-engineered components. A Fundo shower is internally waterproof thanks to the wedi XPS foam's closed-cell structure, and naturally protects against mold or mildew. wedi products are fast and clean to cut to fit custom designs, while the high level of prefabrication (such as the factory-made slope and drain integration) significantly reduces installation time. The base features a strong and pre-sloped surface, allowing for tiling immediately, regardless of the size chosen for the design. Pre-sloped extension panels are available so that no limit exists when it comes to the size or shape of your custom shower design. Fundo showers are insulating, creating a thermal barrier that can prevent cold from transferring through the tiled surface. They also have outstanding moisture and water exposure control compared to traditional mortar bed installations or other currently known methods for building showers, including the use of sheet or liquid waterproofing membranes (which can be very thin and vulnerable, or may allow water absorption into thinset bonded seam areas). The wedi Fundo® Shower Base comes equipped with a wedi drain unit designed for safe performance and to ensure a perfect tiling experience.

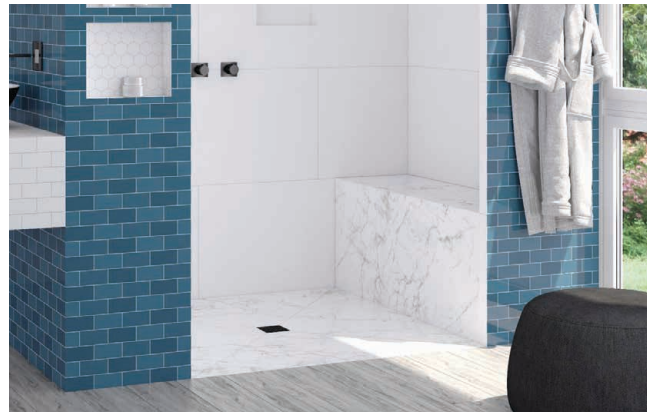
The wedi Fundo® Curbless Shower Base comes with all the same features as the wedi Fundo® Shower Base, but is lower in profile height to make it easy to use for barrier-free transitions. You can use the wedi® Curbless Shower Recess Kit to safely and soundly recess a wedi Fundo® Curbless Shower Base completely into the subfloor.

Key features of the wedi® Fundo Click and Seal® Drain Kit drain are:

- A safe compression fit seal to the entire range of 2 inch floor waste pipes whether made of PVC, ABS, or cast iron.
- All drain parts function in a mechanical, simple, and controlled process – with no glues or sealants needed.
- wedi® Fundo Click and Seal® mechanism for simple and safe assembly.
- Drain system is fully integrated and does not rely on sealants, screws or other product potentially vulnerable and directly exposed to water over time.
- wedi® Fundo Click and Seal® drain allows for a connection to a floor waste pipe that is easily cut flush with the floor, and it can connect safely even where the floor waste pipe is slightly angled (up to 5 degrees). Please always test the seal of a drain to waste pipe connection by plugging up the drain and filling with water until it reaches the cement surface of the wedi shower base.
- wedi drain covers can be adjusted during tiling to meet all tile designs perfectly: $\frac{3}{16}$ inch laterally in either direction, or from $\frac{1}{4}$ inch to $1\frac{1}{4}$ inches in height.
- wedi® Fundo Click and Seal® features built in surface drainage slits to promote faster secondary draining of water from thinset layer below tile finish, which allows the shower floor to dry much faster.
- Provided that the waste pipe and plumbing is open, wedi Fundo® Shower Kit drain and drain cover flow rates exceed 14 gallons/minute or 10 gallons/minute when used with our tileable drain cover.

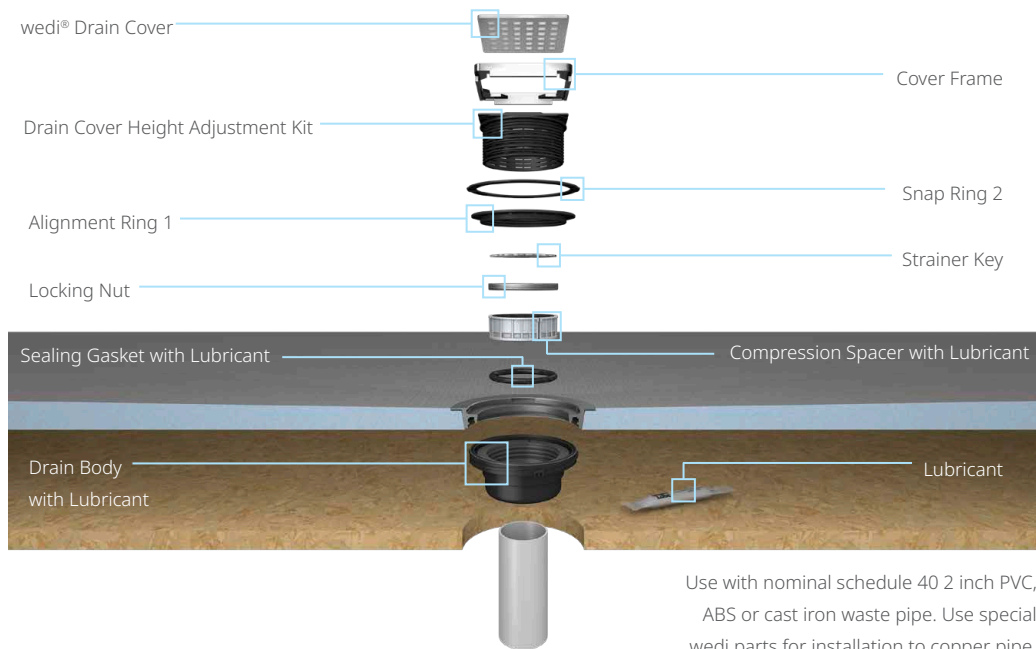


wedi Fundo® Shower System



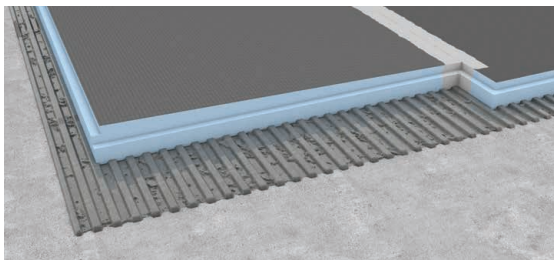
wedi Fundo® Curbless Shower System

wedi Fundo® Installation Manual

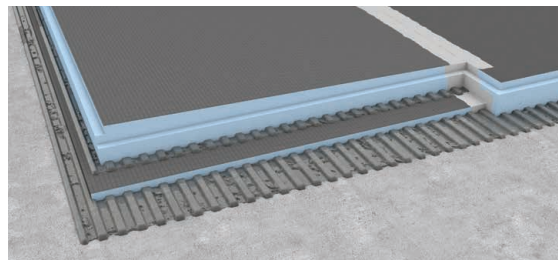


wedi Fundo® shower bases may be cut and/or extended

wedi prefabricated extensions are pre-notched. They can be joined with other extensions in a mitered design, joining two or more sides of a shower to be extended. Make interlocking notch connections on-site as needed for mitered connections. Consult wedi's manual for using wedi sloped extensions.



The shower base may be extended using a pre-sloped wedi extension panel.



wedi shower bases thicker than 1½ inch where an extension is connected require a wedi building panel be placed and thinset mortar adhered under the extension panel to adjust for a proper connection fit.

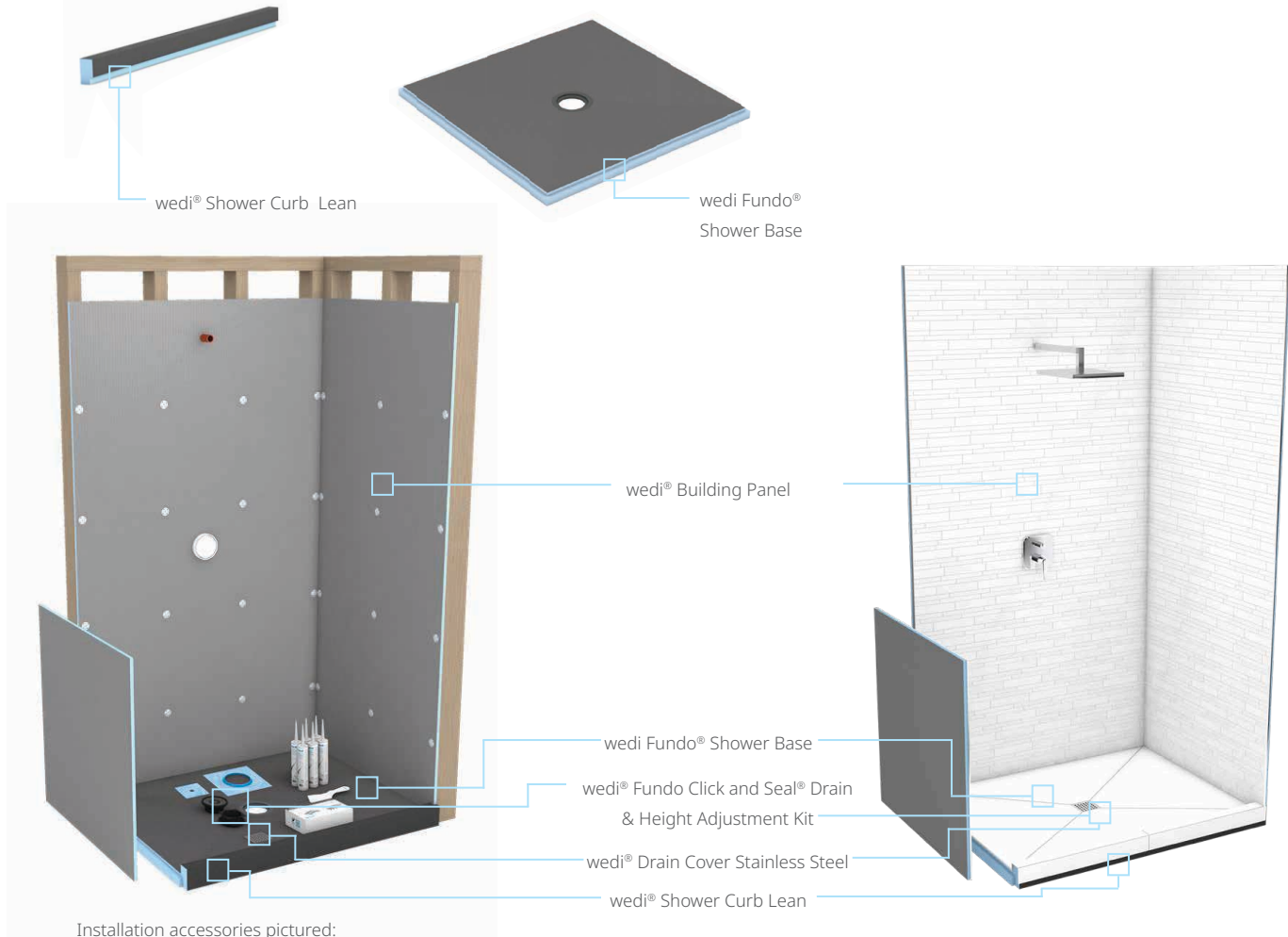


A wedi shower base can be cut to size using a circular saw with a standard carbide blade. You can remake the ½ inch x ½ inch perimeter channel by cutting through the cement surface using the circular saw set to cut ½ inch deep. Run the circular saw over the flat underside of the shower base for a straight and square cut. Clean the new channel and the base and remove all saw dust and loose particles. When cutting linear drain bases to modify sizing do not cut closer than 2 ½ inches to the channel.



Installing a wedi Fundo® Shower System

This installation manual will give you step-by-step instructions on how to install the various sizes of wedi Fundo® Shower Base (used with a wedi® Shower Curb Lean, sold separately) or wedi Fundo® Shower Kits (curb included with kit).



Installation accessories pictured:

wedi® S-DRY™ Mixing Valve Seal & Pipe Seal,
wedi® Joint Sealant, wedi® Corner Putty Knife,
wedi® Fastener Kit

Installing the wedi Fundo® Shower Base



1

Cut out a 5 inch diameter hole around the 2 inch pipe's center to allow for the wedi drain to be inserted into the subfloor while the cut out area must remain free of deflection. Make sure that the cutout fits the Fundo base's drain. Cut the 2 inch waste pipe even and flush with the subfloor surface. The drain waste pipe and P-trap have to be properly affixed to and supported by the subfloor structure.



2

Cut the Fundo base to fit between framed walls and so its wedi drain unit can connect with the floor waste pipe. Consider the space needed by a curb or extension before cutting your wedi base, as cutting the base may change the slope design and tile layouts should be considered before cutting. Consider that enough material thickness remains available to later remake the ½ in. x ½ in. perimeter channel whereby the bottom of the channel must not be thinner than ¼ inch. Do not cut close to the integrated drain and maintain a minimum distance of 2 inches from the drain opening. It is recommended to turn the base on its back so you can move the circular saw over a flat surface, ensuring a square cut.



3

Once cut, dry-fit the base and then remake the ½ in. x ½ in. perimeter channel where the base connects to wedi® Building Panels, Curbs, Ramps or Extensions. Clean the base and channels from saw dust using a vacuum cleaner.



4

Next, install the wedi® Fundo Click and Seal® Drain Kit. Drain components are delivered inserted inside the drain body. Please take the parts out and use step-by-step by following our manual here. Apply the wedi-provided safe lubricant (silicone base)

Installing the wedi Fundo® Shower Base



5

to the black rubber ring inside the wedi drain body.



6

Insert the drain body snugly into the receiving mechanism of the drain unit on the underside of the Fundo base. Make sure the base is well supported at the drain area (ie. placed on a plywood sheet or table) so installing the drain unit will not bend the base.



7

Once inserted, turn the drain body clockwise until its plastic flap clicks in position in its final resting position. This will require no more than a quarter turn. If you ever want to remove the drain body from a locked position, use a flat head screwdriver to push the snap mechanism's plastic flap inwards while unscrewing the drain body counter-clockwise (left) at the same time. In case it is difficult to hear the click mechanism, you can also verify a safe connection as described under point 8. Be careful not to push the drain body into the base with force as this can damage the integrated drain parts. Ensure the locked in place drain unit is resting flush in the base's receiver and is flat and level with the base's cement coating.



8

You can verify the drain unit has successfully connected when the single hash marks are centered between the double hash marks on the top side of the drain.



9

Clean the subfloor with a moist sponge to remove dust and dirt, and apply a skimcoat of a suitable, modified tile adhesive/ thinset (ANSI 118.4 or better), and comb through with a 1/4 in. x 1/4 in. notched trowel. Trowel lines should be applied uniformly and point towards the shortest side of the base area.



10

Trowel the thinset on the bottom side of the Fundo again using a 1/4 in. x 1/4 in. notched trowel. Apply a skim coat of thinset over the entire product's cement surface, then comb through the thinset bed, creating channels pointing in same direction as applied on subfloor.



11

Press the Fundo base firmly into the thinset bed (sloped side up) ensuring that the installation is level along the perimeter and sides, and thinset attachment and coverage is void-free. Apply some equally-distributed weight (e.g. tile boxes) and leave on surface and drain area to allow the thinset to initially cure without being disturbed. Make sure the floor waste pipe is centered within the wedi drain unit and remains there until the drain connection is completed. To avoid movement of the base while thinset is fresh you may fix it in position using wood blocks temporarily fixed to the floor against the base on sides not framed in.



12

Apply the lubricant to the rubber sealing gasket and insert the rubber sealing gasket between the wedi drain unit's interior and the outside of the 2 inch waste pipe in the floor. Push the rubber sealing gasket down along the waste pipe until it is stopped by the drain unit's lower interior flange.

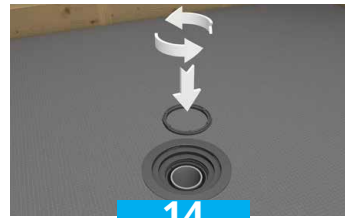


13

Apply the lubricant to the rubber part of the compression spacer. With the rubberized part pointing up now, insert the compression spacer in between drain unit and waste pipe and on top of the sealing gasket. The compression spacer will push the rubber sealing gasket down into its resting position. The compression spacer's rubberized part will not always sit flush with the floor waste pipe's edge, which is due to the thinset thickness tolerances under the shower base.

Note:

The rubberized part of the compression spacer is not part of the wedi drain's waterproofing design - it is used solely to keep all dirt out of the drain connections. If the compression fit spacer is too tight to easily fit around the waste pipe, you can cut the compression spacer into two halves (cut at indicated markers) and fit them in better individually.



14

Insert the locking nut with notched side up into the threaded part of the drain unit opening and screw down until locking nut top is flush with top edge of drain unit's threaded part. **Important: Turn the locking nut counter-clockwise (left) to insert and screw into flush position.**



15

Insert strainer key into locking nut at notch connections and with strainer key printed side up. The strainer key is used as a tool to tighten the compression seal of the drain unit, but remains in place later to serve as a hair catcher to protect the drain and make maintenance and cleaning easy.



16

Insert a flat head screwdriver into strainer key slit and turn counter-clockwise (left) to tighten the compression seal. Achieve a hand-tight fit and do not over-tighten.



17

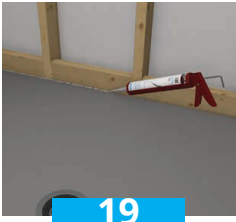
Loosely insert alignment ring 1 into the drain unit opening with printed side up. Align the notch and arrow in alignment ring 1 with the arrow printed on the drain unit. Alignment ring 1 has a threaded inside which will later allow you to insert a drain cover height adjustment kit, which will allow you to laterally and vertically move your drain cover for perfect alignment with the tile finish. Alignment ring 1 is also needed to support the drain cover unit when no drain cover height adjustment piece is used. Alignment ring 1 has built-in drainage slits to allow the thinset mortar around the drain area to drain water quickly.



18

Insert the snap ring 2 into drain unit opening with printed side up. Align its arrow and protruding key fitting into the notch and arrow of the alignment ring 1. Snap ring 2 needs to be secured in place with its perimeter notches snapping into grooves which are pre-made in the drain unit. Snap ring 2 is used to secure the movable alignment ring 1, and it is needed to later support the drain cover unit. It is equipped with drainage slits to allow thinset mortar around the drain area to drain water quickly.

Installing the wedi® Building Panels



19

Dry-fit the wedi® Building Panel to ensure the proper fit into the channel of the shower base, being sure the bead of sealant is fully compressed. Clean the perimeter channels from dust or any other contaminants. Set up a continuous ½ inch bead of wedi® Joint Sealant along the base's channel on the outer perimeter and only in areas where you can immediately install a building panel into the fresh sealant.



20

Push the wedi® Building Panel fully into the channel of the shower base, being sure the bead of sealant is fully compressed. Smooth out any pushed out sealant on inside seam using a wedi® Corner Putty Knife. Fasten the panels directly to the studs starting 1 foot above the base and in corners while keeping the board pushed down into the channel, and set the wedi fasteners with wedi washers at a rate of one fastener per 1 foot. On every framing stud, one fastener has to be installed through the seam between two adjoining building panels to create a smooth transition. wedi requires wedi® Building Panels to be installed in all areas exposed to water and never lower than 6 inches above any shower fixture.



21

Apply continuous ½ inch beads of sealant between all connections of panels and install with tightly butted seams. Excess sealant must be spread flat with a putty knife. All seams and fastener heads in the assembly are covered with a topical ½ inch bead of sealant and spread flat. The seams should be covered 1 inch on either side of a seam. All fastener / washers are covered with sealant stretching 1 inch over the washer edges.

Note:

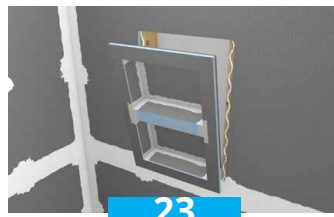
Several wedi® Shower Base models naturally feature different perimeter height or thickness at the edge. Therefore, pre-made standard notch connections of wedi curbs must be modified in the field for a tight fit to the bases. Ramps and Extension panels can naturally not fit to all models and might be modified in the field as well. When using curbs with shower bases and/or Fundo extensions that create a one directional slope and build up height towards one side of the shower, you may need to increase the height of the curb to exceed the surface of the shower base as required by applicable plumbing code. Where wedi® Building Panel is installed over corners of a structure showing an angle other than 90°, please miter the board edges to gain adhesion surface.

Installing wedi® Shower Upgrades and finishing the entrance



22

wedi® Shower Niches are installed in a cut out in the wedi wall and attached with its flange right into the center of 16 inch o.c. studs. wedi® Joint Sealant is set along the connection of wall to niche.



23

Fasteners are placed every 12 inches on either side of the niche, or a minimum of one fastener on each of the four corners, are set to create a flat transition to wall panels. Another ½ inch bead of wedi® Joint Sealant is spread flat over fasteners and seams.



24

A continuous ½ inch bead of sealant is set into the channel and along the vertical curb notch part. ½ inch beads of wedi joint sealant are equally applied on wall surfaces where the curb attaches. A ¼ inch square notch trowel is used to apply a thinset mortar on the subfloor and on the wedi curb bottom (reference wedi Fundo installation in thinset mortar). The tightly-fitting curb is pressed into the connection area. wedi Lean Curbs can be installed by entirely using wedi® Joint Sealant (replaces thinset attachment to floor). Please note: wedi curb notches are pre-made for channel connections to wedi bases 1½ inch thick at perimeter. When using thicker perimeter bases, please cut the curb notch for a tight dry-fit connection.



25

Weight is applied for a minimum of 30 minutes on and against the curb (from outside) and another ½ inch bead of sealant is applied over all curb seams and spread flat. The seams must be covered 1 inch on either side. Next, insert the drain cover height adjustment

Installing the wedi Fundo® Drain Cover



26

kit into the threaded part of the alignment ring 1. Dry-fit the Drain cover extension for the needed final height position of the drain cover unit. The drain cover height adjustment kit only works for wedi's finished surface drain covers, but not with wedi's tileable covers due to their special water drainage design. wedi Tileable covers are made to work with defined tile thicknesses and can be inserted into the alignment ring 1 and snap ring 2 assembly directly.



27

Dry-fit a tile for the shower base right next to the extended drain cover unit and determine to what height the drain cover height adjustment kit may need to be cut down for a drain cover top flush with the top of the tile (or drain cover top slightly below top of tile). Account for the thickness of the (compressed) thinset mortar used to install the tile. Using a ruler or measuring tape if necessary, match this measurement along the side of the drain cover height adjustment piece.



28

The drain cover height adjustment piece can be cut to height/length at its threaded part using a fine tooth saw for a fast, clean, and safe process. Make a cut within one of the cutting grooves to adjust the extension to the height needed. Leave the extension a bit longer than needed (by one cutting groove). The drain cover extension should connect to the threaded alignment ring 1's female threaded part. The extension can be used to increase the position of the drain cover by 1 ¼ inch. If no height adjustment or increase in height is needed for the drain cover, please cut the drain cover extension shorter at the cutting groove closest to the squared top. This will leave enough of the tightly threaded part needed to connect into the drain opening or Alignment Ring. This will allow you to let the wedi drain cover rest flat over the drain opening once assembled (see next steps).



29

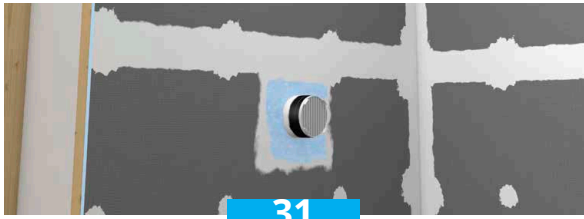
The drain cover unit can still be moved laterally ¾ inch in either direction, and can be aligned with the tile regardless of how much height was added.



30

Place the drain cover unit into the Drain cover extension where it fits into a tight seat. The cover is now vertically adjustable and can also move horizontally to fit the tile layout.

Finishing the wedi Fundo® Shower System



For the installation to properly work it is critical to waterproof all penetrations of the wedi product such as shower valves and shower heads using the appropriate sealing gaskets for the application. The wedi® S-DRY™ Mixing Valve Seal and wedi® S-DRY™ Shower Pipe Seal (for ½ in. – ¾ in. shower pipe protrusions) are used for these applications, and are installed using a full bed of wedi® Joint Sealant or wedi® S-DRY™ SEAL for attachment. These sealing measures are required for wedi's waterproofing system warranty. Contact us for alternative waterproofing options if fixtures do not fit wedi standard collars so we can recommend optional best practices under wedi warranty.

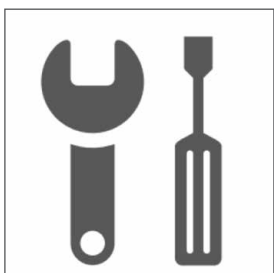


The wedi Fundo® Shower System is now ready for tiling as soon as the surface applied wedi® Joint Sealant is dry to the touch.

Important notes for preparing and completing a wedi Fundo® Shower Installation

- Have 2 × 4 blocks installed on base plate between and flush with front of wall framing studs to best support wedi wall panel / shower base transition.
- Subfloor is stable and loadbearing, flat and level, and meets deflection criteria of maximum L/360 as per IRC. Wooden or concrete structural substrates are dry and sufficiently loadbearing considering live and dead load. Wood and Steel framing is sufficiently loadbearing, even, level, and square.
- Floor drain assembly below floor is stabilized, fixed and supported in position, and will not sink under water load. Waste pipe is level and plumb.
- Only wedi products (Building Panels, Curb, Joint Sealant and Fasteners) are used for wedi Fundo® Shower System assembly.
- Ensure that no fasteners are used and penetrate through any horizontal building panel or shower base surfaces in showers and immediate wet room applications. This includes tub decks, pony shower wall tops, curb tops made from building panels and seat tops. wedi panels in such areas are installed in a full surface applied thinset mortar setting bed or using 1/2 inch beads of joint sealant starting 1 inch off a side and applied in continuous lines every 2 inches. Ensure there are at least 2 beads on a contact surfaces between 2 and 4 inches wide.
- Where wedi® Building Panel or curb caps are installed over horizontal surfaces (seats, partial curbs, tubdeck transitions) do not set any fasteners and do not allow the glass door installation to penetrate the wedi panel as it is your waterproofing.
- Make sure that doors are installed tight to contain water inside the shower. Make sure doors are installed to only load bearing reinforced framing. Consider wedi® Shower Curb AT (Anchor Track) when planning to mount glass door/panel fixtures through the curb surface.
- Seams in the assembly, which are not flat transitions or right angle inside corner connections, are treated with these extra steps:
 - 1) Assembly parts are installed tight and offer a minimum of ½ inch wide continuous contact/adhesion surface between two parts, inside which wedi® Joint Sealant is continuously applied.
 - 2) Apply ½ inch bead of wedi® Joint Sealant over all seams, spread flat over the seam covering it 1 inch wide on both sides of the seam. The joint sealant should be 1/6" thick also where it wraps around an outside corner. Use an alkali resistant mesh tape between two applications of wedi® Joint Sealant as a thickness gauge if needed.
 - 3) wedi® S-DRY™ Tape is installed over these seams in a bed of wedi® S-DRY™ SEAL if these seams are exposed to flood testing.

Tools needed for a wedi Fundo® Shower Installation



- Inside Pipe Cutter
- Caulk Gun
- Screw gun w. Phillips bit
- Corded thinset mixer with 650 RPM minimum when using wedi® PRO-SET™
- Bucket
- Handsaw
- Circular Saw
- Utility Knife
- Solid Putty Knife
- wedi® Corner Putty Knife
- Flat Head Screwdriver
- Saw Horse
- Level
- Tape Measure
- ¼ in. square Notch Trowel
- Straight Edge / T Square 5 ft. (1524 mm) or longer
- Respirator Mask (N95)
- Safety Glasses
- Ear Protection
- Permanent Marker
- Paper Towels
- Scissors
- Shop vacuum cleaner
- Extension Cord for Power-tools

Post -installation check list and tiling

i All fastener points are visibly covered with wedi® Joint Sealant. All protrusions (ie. plumbing fixtures) are sealed into the wedi assembly with wedi gaskets and sealant. All visible joints or seams in the installation are visibly covered and reinforced with wedi® Joint Sealant that is applied flat over the seams. Coverage of wedi® Joint Sealant over all seams should be at least 1 inch on either side of the seam. wedi® Joint Sealant should be no less than 1/16 inch thick to ensure strength. Do not add mesh tape into the wedi® Joint Sealant except when used as a thickness gauge over difficult-to-seal-over outside corners and when in area not subjected to high water exposure. It is recommended to add wedi® S-DRY™ Tape over seams featuring outside corners (e.g. pony wall tops or curb deck transitions). Once wedi® Joint Sealant has been applied over all shower system seams, an optional water flood test may be performed in as little as 2 hours. If wedi® S-DRY™ SEAL and wedi® S-DRY™ Tape was used, wait 6 hours. Please ensure the sealant has cured sufficiently and has formed a skin, is no longer pliable or sticky leaving sealant residue upon touch. wedi® Joint Sealant is a moisture curing product that will react to cure very slow when applied in a location with low relative humidity in the air, and it will overreact and malfunction if exposed to too much water (i.e. flood test) too early. The flood test should not exceed 24 hours, nor should the water level exceed the height of the perimeter seams so that the fresh sealant may continue to a full cure without too much weight added during that process. Be careful not to fill water all the way to the top of the curb where it may work itself through the thinset bed of the curb top finish and escape over the wedi curb surface which may lead you to mistakenly believe the shower is leaking. wedi recommends testing the drain connection for a proper seal. While a full surface flood test is not required for non-absorbing products like wedi, it may be required by a building inspector. When tiling commences, do not use any premixed (“mastic”) tile adhesives over wedi® systems in wet-area installations. When tiling the wedi Fundo® Shower Bases, including extensions, tile thickness should generally be no less than 1/8 inch. Be aware that wedi Fundo® drain covers are 3/16 inch thick, so very thin tile must be appropriately supported by a compressed thinset bed to reach an installation height slightly higher than the cover. Plan for a 1/4-inch overall tile installation height. Ceramic and stone tile must be installed in accordance with ANSI A108-A118-A136.1 , details and requirements established by the Tile Council of North America, and specific manufacturer recommendations. The following recommendations are made specifically for tile installation over wedi products and supersede when in conflict other requirements and limitations.

Tiles should have a minimum thickness of 1/8 inch (3 mm) and adequate for the application on a sloped surface in a wet environment.

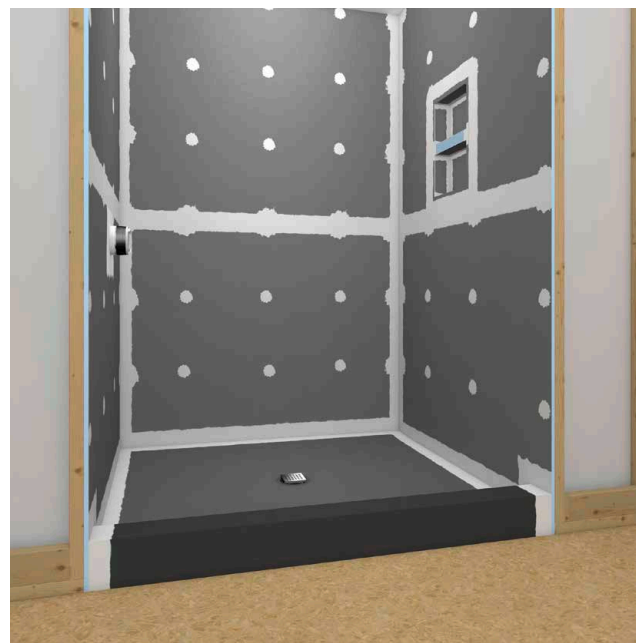
The appropriate trowel size should be selected based on recommendation by manufacturers of mortar and tile and a thinset mortar coverage under the tile of 95% or greater must be achieved. It is recommended to remove factory applied mesh if this can interfere with adhesion transfer of mortar to the back of the tile or substrate. Some tiles should be back buttered.

Tiles with a square size larger than 1 x 1 inches (25.4 mm x 25.4 mm) and with no side 1 inch (25.4 mm) or shorter, may be installed using a modified cement based thinset mortar in accordance with ANSI A118.4 or ANSI A118.15 and a modified cement based grout

in accordance with ANSI A 118.7.

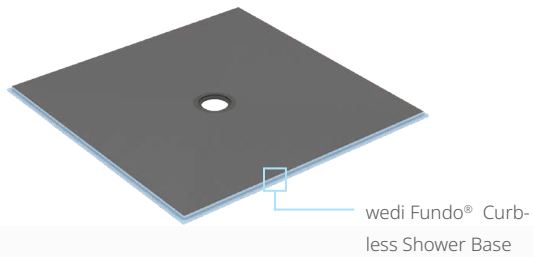
Tiles with a square size 1 x 1 inches (25.4 mm x 25.4 mm) or shorter may be installed using a combination mortar and grout made from 100% solids epoxy in accordance with ANSI A118.3.

wedi showers that are subject to increased point loads (example: wheelchair , shower chairs) should be tiled with tiles of a square size 2 x 2 inches (50.8 mm x 50.8 mm), or larger, and with no side shorter than 2 inches (50.8 mm), and should be installed using a combination mortar and grout made from 100% solids epoxy in accordance with ANSI A118.3. Pebble tile or river-rock type tiles must be fully supported under all edges with sufficient coverage of thinset mortar. These tiles require a relatively thick bond coat to ensure proper coverage and bond to the shower base. Moisture-sensitive tile and stone, including marble, are best protected when installed using 100% solids epoxy tile adhesive and grout. Verify with the manufacturer of mesh-mounted tile that the adhesive and mesh used on the back of the tile are suitable for use in wet areas. It is important to achieve full transfer of thinset mortar through the mesh to the back of the tile. A best practice we recommend is to always remove the mesh when setting the tile. Large-format tile may be installed over wedi Fundo® shower bases. Cuts may have to be made in consideration of the base's slope lines to ensure that the tile is fully supported by the adhesive bed and the wedi® Shower Base surface. Refer to TCNA guidelines for the setting material coverage required for tiles installed in wet-room applications such as wedi shower projects (minimum requirement is 95% mortar coverage under the tile). Use only cleaners and sealers that are free of acid or solvents on tile or grout installed over wedi® Products, and apply only the amount needed to treat the surface materials without saturating the substrate. Avoid heat sources when making grout repairs, as they may damage the foam core of the product. Follow the setting-material manufacturer's recommendations, and contact wedi with any questions or regarding applications not covered here.



Installing a wedi Fundo® Curbless Shower System

This installation manual will give you step-by-step instructions on how to install the various sizes of wedi Fundo® Curbless Shower Bases or wedi Fundo® Curbless Shower Kits.



wedi Fundo® Curbless Shower Base



wedi® Building Panel

wedi Fundo® Curbless Shower Base

wedi® Fundo Click and Seal® Drain & Height Adjustment Kit

wedi® Drain Cover Stainless Steel



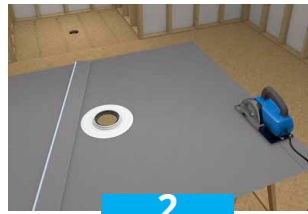
Installation accessories pictured:
wedi® S-DRY™ Sheet Waterproofing Membrane,
wedi® Fastener Kit, wedi® Joint Sealant
wedi® S-DRY™ Inside & Outside Corner,
wedi® S-DRY™ Mixing Valve Seal & Pipe Seal,
wedi® Corner Putty Knife
wedi® S-DRY™ SEAL

Installing the wedi Fundo® Curbless Shower Base



1

Recess the existing $\frac{3}{4}$ inch plywood subfloor between floor joists in the shower base area. This can be done by installing 2 x 6 blocking along floor joists to support the plywood floor between and flush with floor joists. Optionally, this recess can be created safely and fast with the help of the wedi® Curbless Shower Recess Kit. This kit works well with conventional and engineered floor joists and especially where an installation is in tight spaces. Make a 6 $\frac{1}{2}$ inch cutout in the recessed wood subfloor centered around the floor waste pipe. There should be no obstruction or part of a floor joist in the area of the cutout. Ensure recessed floor is even and level, flat, sufficiently load-bearing, and made from solid pieces. Using an inside pipe cutter next, evenly cut off the floor waste pipe $\frac{1}{4}$ inch below the surface of the recessed subfloor.



2

Cut the curbless shower base to fit between framed walls and recessed floor transition so the wedi® Fundo Click and Seal® Drain Kit drain unit can connect with the waste pipe. Also consider the possible space needed by a pre-sloped curbless extension panel. Consider that cutting and extending the base may change the slope design. **Cutting should be limited to 4 inches off a single side of the base so it will not become too thin to re-create a perimeter channel for a safe connection to wedi wall panels.** Adding wedi pre-sloped extensions can increase the shower base's perimeter thickness at one or more sides. Cutting the shower base to size can reduce its perimeter thickness

at one or more sides. Increase or reduction in shower base perimeter thickness should be planned for so a smooth transition to the bathroom floor products or surface is ensured. Please consider that most smaller curbless shower bases are $\frac{3}{4}$ inch thick at the perimeter and install near flush with standard $\frac{3}{4}$ inch plywood subfloors when recessed. Some of our larger curbless bases are 1 $\frac{1}{2}$ inch thick and will reach $\frac{3}{4}$ inch plus approximately $\frac{3}{4}$ to $\frac{1}{2}$ inch (for thinsit build-up) for a total of $\frac{7}{8}$ inch for which the base will reach out of the recessed floor (where it should be sealed and connected with a $\frac{1}{2}$ inch wedi® Building Panel installed over the bathroom floor.)

Once the base is cut to size, you want to dry-fit the base and remake the perimeter channels on all sides

Installing the wedi Fundo® Curbless Shower Base



3

which will connect to wedi wall panels. The perimeter channel must be 1/2 inch wide and between 1/2 inch and at minimum 3/8 inch deep. The minimum thickness of the horizontal part of the perimeter channel bottom must not be less than 1/4 inch.

Next, install the wedi® Fundo Click and Seal® Drain Kit drain unit. Drain components are



4

delivered inserted inside the Drain Body. Please take the parts out and use step-by-step following our manual here.

Apply the wedi-provided safe lubricant (silicone base) to the black rubber ring inside the wedi



5

drain body.

Insert the drain body snugly into the receiving mechanism of the drain unit on the underside of the Fundo



6

base. Make sure the base is well supported at the drain area (ie. placed on a plywood sheet or table) so installing the drain unit will not bend the base. Once inserted, turn the drain body clockwise until its plastic flap clicks in position in its final resting position.



7

This will require no more than a quarter turn. If you ever want to remove the drain body from a locked position, use a flat head screwdriver to push the snap mechanism's plastic flap inwards while unscrewing the drain body counter-clockwise (left) at the same time. In case it is difficult to hear the click mechanism, you can also verify a safe connection as described under point 8. Be careful not to push the drain body into the base with force as this can damage the integrated drain parts. Ensure the locked in place drain unit is resting flat and level in the base's receiver and is flat and level with the base's cement coating.

On the top side of the drain you can verify the drain unit has successfully connected when the single hash marks are centered



8

between the double hash marks.

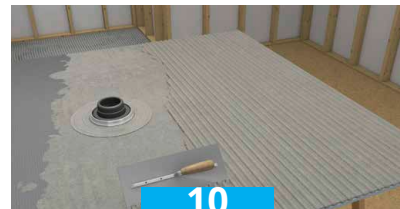
Clean the subfloor with a moist sponge to remove dust and dirt, and apply a skimcoat of a suitable, modified tile



9

adhesive/ thinset (ANSI 118.4 or better), and comb through with a 1/4 in. x 1/4 in. notched trowel. Trowel lines should be applied uniformly and point towards the shortest side of the base area.

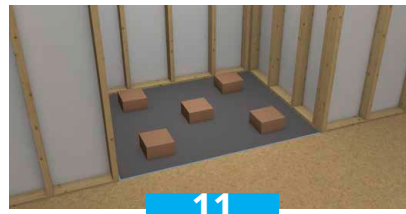
Trowel the thinset on the rear side of the Fundo again using a 1/4 in. x 1/4 in. notched trowel. Flat trowel the thinset



10

over the entire product's cement surface, then comb through thinset bed creating channels pointing in same direction as applied on subfloor. If a 1/2 inch square notch trowel was used to apply thinset to the subfloor, you want to apply only a flat skim coat of thinset on the rear side of the Fundo.

Press the Fundo firmly into the thinset bed (sloped side up) ensuring that the installation is level along



11

its perimeter and sides, and thinset attachment and coverage is void-free. Apply some weight equally and leave on surface and drain area to allow the thinset to initially cure without being disturbed (e.g. tile boxes). Make sure the floor waste pipe is centered within the wedi drain unit and remains there until the drain connection is completed. To avoid movement of the base while thinset is fresh you may fix it in position using wood blocks temporarily fixed to the floor against the base on sides not framed in.

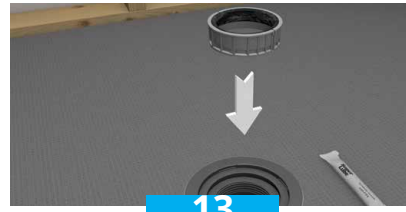
Apply wedi-provided safe lubricant to the rubber sealing gasket and insert the rubber sealing gasket between the



12

wedi drain unit's interior and the outside of the 2 inch waste pipe in the floor. Push the rubber sealing gasket down along the waste pipe until it is stopped by the drain unit's lower interior flange.

Apply wedi-provided safe lubricant to the rubber part of the compression spacer. With the rubberized part pointing up now insert the compression spacer in



13

between drain unit and waste pipe and on top of the sealing gasket. The compression spacer will push the rubber sealing gasket down into its resting position. The compression spacer's rubberized part will not always sit flush with the floor waste pipe's edge, which is due to the thinset thickness tolerances under the shower base. Insert the Locking Nut with notched side up into the threaded part of the drain unit opening and screw down until Locking Nut top is flush with top edge of drain unit's threaded part. **Important: Turn Locking Nut to the**



14

LEFT to insert and screw into flush position (turn counter-clockwise). Insert strainer key into locking nut at notch connections and with strainer key printed side up. The Strainer Key is used as a tool to tighten the compression seal of the drain unit, but remains in place later to serve as a hair catcher to protect the drain and make maintenance and



15

cleaning easy.

Insert a flat headed screwdriver into strainer key slit and turn **LEFT** to tighten the compression seal (**turn counter-clockwise**). Achieve a hand-tight fit and do not over-tighten.



16

Note:

The rubberized part of the compression spacer is not part of the wedi drain's waterproofing design - it is used solely to keep all dirt out of the drain connections. If the compression fit spacer is too tight to easily fit around the waste pipe you can cut the compression spacer into two halves (cut at indicated markers) and fit them in better individually.

Installing the wedi® Curbless Shower Base

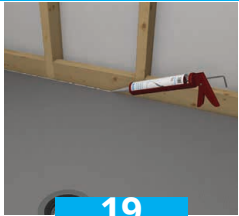


Loosely insert the alignment ring 1 into the drain unit opening with printed side up. Align the notch and arrow in alignment ring 1 with the arrow printed on the drain unit. Alignment Ring 1 has a threaded inside which will later allow you to insert a drain cover extension, which will allow you to laterally and vertically move your drain cover for perfect alignment with the tile finish. Alignment ring 1 is also needed to support the drain cover unit when no drain cover extension is used. Alignment ring 1 has built in drainage slits to allow the thinset mortar around the drain area to drain water more quickly.

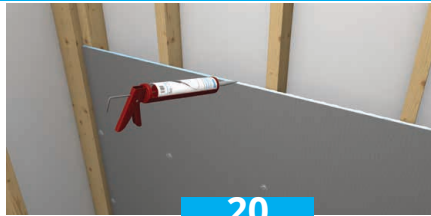


Insert the Snap Ring 2 into drain unit opening with printed side up. Align its arrow and protruding key fitting into the notch and arrow of the alignment ring 1. The snap ring 2 needs to be secured in place with its perimeter notches snapping into grooves which are premade in the drain unit. Snap ring 2 is used to secure the movable alignment ring 1, and it is needed to later support the drain cover unit. It is equipped with drainage slits to allow thinset mortar around the drain area to drain water more quickly.

Installing the wedi® Building Panels



Dry-fit the wedi® Building Panel to ensure the proper fit into the perimeter channel. Clean the perimeter channels from dust or any other contaminants. Set up a continuous ½ inch bead of wedi® Joint Sealant along the base's channel on the outer perimeter and only in areas where you can immediately install a building panel into the fresh sealant. Push the wedi® Building Panel



fully into the channel of the shower base, being sure the bead of sealant is fully compressed. Smooth out any pushed out sealant on inside seam using a wedi® Corner Putty Knife. Fasten the panels directly to the studs starting 1 foot above the base and in corners while keeping the board pushed down into the channel, and set the wedi fasteners with wedi washers at a rate of one fastener per 1 foot. On every framing stud, one fastener has to be installed through the seam between two adjoining building panels to create a smooth transition. wedi requires wedi® Building Panels to be installed in all areas exposed to water and never lower than 6 inches above any shower fixture.

Apply continuous ½ inch beads of sealant between all connections of panels and install with tightly butted seams.

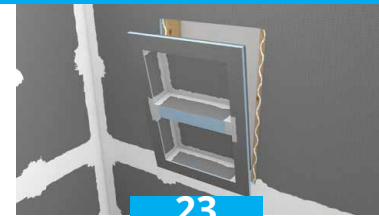


Excess sealant must be spread flat with a putty knife. All seams and fastener heads in the assembly are covered with a topical ½ inch bead of sealant and spread flat. The seams should be covered 1 inch on either side of a seam. All fastener / washers are covered with sealant stretching 1 inch over the washer edges. wedi® Shower Niches are installed in a cut out in the wedi wall and attached with its flange right into the center of 16 inch o.c. studs. wedi®

Installing wedi® Shower Upgrades

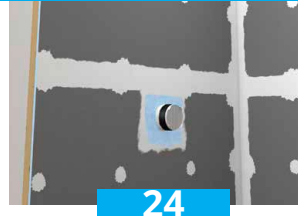


Joint Sealant is set along the connection of wall to niche. Fasteners are placed every 12 inches on either side of the niche, or a minimum of one fastener on each of the four corners, are set to create a flat



transition to wall panels. Another ½ inch bead of wedi® Joint Sealant is spread flat over fasteners and seams.

Installing a waterproof and floor-even transition into the bathroom floor

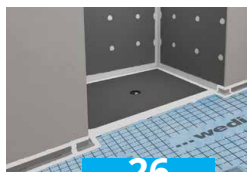


For the installation to properly work it is critical to waterproof all penetrations of the wedi product such as shower valves and shower heads using the appropriate sealing gaskets for the application. The wedi® S-DRY™ Mixing Valve and Pipe Seal (for ½ inch - ¾ inch shower pipe protrusions) are used for these applications, and are installed using a full bed of wedi® Joint Sealant or wedi® S-DRY™ SEAL for attachment.



These sealing measures are required for wedi's waterproofing system warranty. Contact us for alternative waterproofing options if fixtures do not fit wedi standard collars so we can recommend optional best practices under wedi warranty.

Fill unused base perimeter channels by attaching wedi panel strips (included in box) using Joint Sealant. You must install wedi® S-DRY™ waterproofing membrane over the subfloor or substrate outside the shower. It should reach 4 inches into the curbless shower base, and extend up the walls by at least 2 inch (flashing), and extend a minimum of 2 ½ ft. outside of the shower. If water spray can reach further out, extend the membrane further so that there are 2 ½ ft. of waterproofing outside of the spray radius. Apply the wedi® S-DRY™ membrane to the substrate or subfloor using modified thinset (such as wedi® PRO-SET™) and using a ⅛ in. x ⅛ in. square notch trowel. Use wedi® S-DRY™ SEAL instead of thinset between seam overlaps of two membrane sheets, which must be made 2 inches wide. Use wedi® S-DRY™ SEAL also within the 2 inches where membrane sheets terminate on the base surface, and use wedi® S-DRY™ SEAL to attach the wall flashing against the wall substrate. In these 4 inches inside the shower area (where wedi® S-DRY™ SEAL is applied over the seam to allow for the S-DRY™ and S-DRY™ tape flashing), apply no sealant over the seams or remove it so the S-DRY™ SEAL can directly bond to the wedi panel surfaces. Try to avoid mixing S-DRY™ SEAL and wedi® Joint Sealant, as the two products do not bond and are not compatible



Please choose the appropriate wedi® S-DRY™ products needed for the project, including S-DRY™ sheet membrane, Sealing Tape, and prefabricated Inside and Outside Corners. As an alternative to the S-DRY™ sheet membrane system, there are several other options available to you to create waterproofing for the bathroom floor and create a waterproof connection to the curbless shower base:

- wedi® Building Panels in ¼ inch, ½ inch or ¾ inch thickness can be used as the floor tile underlayment in place of cement board and Subliner waterproofing. Ensure the curbless shower base is raised enough from the subfloor so its perimeter channel bottom is flush with the subfloor surface and so that the wedi® Building Panels can safely connect into the channel. The connection is sealed with a ½ inch bead of wedi® Joint Sealant continuously applied in the channel connection, and covered with another ½ inch bead of wedi® Joint Sealant which is spread flat 2 inches wide on top of the seam. All seams to wedi walls must also be sealed internally with a ½ inch bead of continuously applied wedi® Joint Sealant between parts in that transition, and the seams are then covered with another ½ inch bead of wedi® Joint Sealant which is spread flat over the seam covering it 2 inch wide. Tiling may begin once thinset under wedi Subliner Dry or wedi® Building Panels on floor has cured.
- ¾ inch or 1 inch wedi® Building Panels may also be used depending on the thickness of the Fundo curbless shower base (between ¾ inch and 1 ⅛ inch for larger sizes with one side larger than 60 inches) and where the Fundo Curbless shower base is not installed into a floor recess, but on a standard subfloor. This panel matches the height of the base at its perimeter; the

wedi® Building Panel here would be installed over the subfloor and connect with a Z notch channel connection, which needs to be cut into the panel, to the base's perimeter channel. The connection is sealed with a ½ inch bead of wedi® Joint Sealant continuously applied in the channel connection, and covered with another ½ inch bead of wedi® Joint Sealant which is spread flat 2 inches wide on top of the seam. All seams to wedi walls must also be sealed internally with a ½ inch bead of continuously applied wedi® Joint Sealant between parts in that transition, and the seams are then covered with another ½ inch bead of wedi® Joint Sealant which is spread flat over the seam covering it 2 inch wide.

Note: When using wedi® Building Panel to waterproof the floor and transition to the Fundo shower base, you need to still install wedi® S-DRY™ or wedi® Building Panel (flashing) up on adjacent walls by 2 inches and waterproof/cover seams as in the general wedi shower assembly. Tiling may begin once thinset under wedi® S-DRY™ or wedi® Building Panels on floor has cured.

Installing the wedi Fundo® Drain Cover



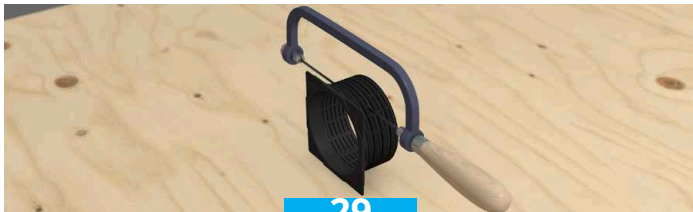
27



28

Next, insert the drain cover height adjustment kit into the threaded part of the alignment ring 1. Dry-fit the Drain cover extension for the needed final height position of the drain cover unit. The drain cover height adjustment kit only works for wedi's finished surface drain covers, but not with wedi's tileable covers due to their special water drainage design. wedi Tileable covers are made to work with defined tile thicknesses and can be inserted into the alignment ring 1 and snap ring 2 assembly directly.

Dry-fit a tile for the shower base right next to the extended drain cover unit and determine to what height the drain cover height adjustment kit may need to be cut down for a drain cover top flush with the top of the tile (or drain cover top slightly below top of tile). Account for the thickness of the (compressed) thinset mortar used to install the tile. Using a ruler or measuring tape if necessary, match this measurement along the side of the drain cover height adjustment piece.



29

The drain cover height adjustment piece can be cut to height/length at its threaded part using a fine tooth saw for a fast, clean, and safe process. Make a cut within one of the cutting grooves to adjust the extension to the height needed. Leave the extension a bit longer than needed (by one cutting groove). The drain cover extension should connect to the threaded alignment ring safely and for good support, which requires at least one full turn of the extension's male threads reaching into the Alignment Ring 1's female threaded part. The extension can be used to increase the position of the drain cover by 1 ¼ inch. If no height adjustment or increase in height is needed for the drain cover, please cut the drain cover extension shorter at the cutting groove closest to the squared top. This will leave enough of the tightly threaded part needed to connect into the drain opening or Alignment Ring. This will allow you to let the wedi drain cover rest flat over the drain opening once assembled (see next steps).



30

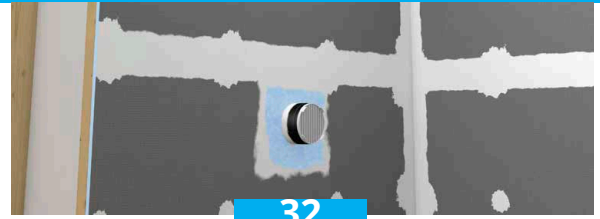
The drain cover unit can still be moved laterally ¾ inch in either direction, and can be aligned with the tile regardless of how much height was added. The wedi Fundo® Shower System is now ready for tiling as soon as the surface applied wedi® Joint Sealant is dry to the touch.



31

Place the drain cover unit into the Drain cover extension where it fits into a tight seat. The cover is now vertically adjustable and can also move horizontally to fit the tile layout.

Finishing the wedi Fundo® Shower System



32

For the installation to properly work it is critical to waterproof all penetrations of the wedi product such as shower valves and shower heads using the appropriate sealing gaskets for the application. The wedi® S-DRY™ Mixing Valve Seal and wedi® S-DRY™ Shower Pipe Seal (for ½ in. – ¾ in. shower pipe protrusions) are used for these applications, and are installed using a full bed of wedi® Joint Sealant or wedi® S-DRY™ SEAL for attachment. These sealing measures are required for wedi's waterproofing system warranty. Contact us for alternative waterproofing options if fixtures do not fit wedi standard collars so we can recommend optional best practices under wedi warranty.

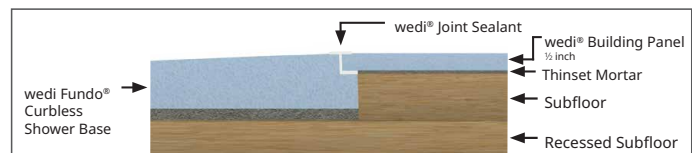
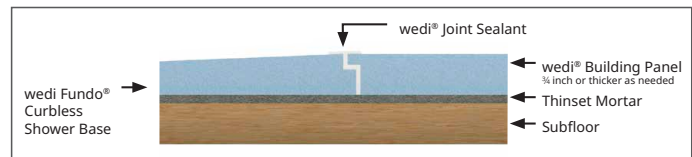


33

The wedi Fundo® Curbless Shower System is now ready for tiling as soon as the surface applied wedi® Joint Sealant is dry to the touch.

Did you know?

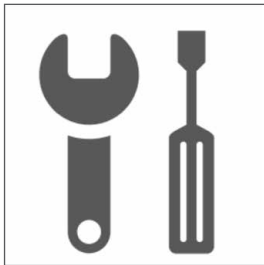
wedi® Building Panels may also be used where the Curbless Shower Base is not installed into a floor recess, but on a standard subfloor. See step 26 (a) of the curbless Installation manual for more information.



Important notes for preparing and completing wedi Fundo® Shower Installation

- Recessed subfloor is stable and loadbearing, flat and level, and meets deflection criteria of maximum L/360 as per IRC. Wooden or concrete structural substrates are dry and sufficiently loadbearing considering live and dead load. Wood and Steel framing is sufficiently loadbearing, even, plumb, level and square.
- Floor drain assembly below floor is stabilized, fixed and supported in position, and will not sink under water load. Waste pipe is level and plumb.
- Only wedi products (Building Panels, Curb, Joint Sealant and Fasteners) are used for wedi Fundo® Shower System assembly.
- Ensure that no fasteners are used and penetrate through any horizontal building panel or shower base surfaces in showers and immediate wet room applications. This includes tub decks, pony shower wall tops, curb tops made from building panels and seat tops. wedi panels in such areas are installed in a full surface applied thinset mortar setting bed or using 1/2 inch beads of joint sealant starting 1 inch off a side and applied in continuous lines every 2 inches. Ensure there are at least 2 beads on a contact surfaces between 2 and 4 inches wide.
- Where wedi® Building Panel or curb caps are installed over horizontal surfaces (seats, partial curbs, tubdeck transitions) do not set any fasteners and do not allow the glass door installation to penetrate the wedi panel as it is your waterproofing.
- Make sure that doors are installed tight to contain water inside the shower. Make sure doors are installed to only load bearing reinforced framing. Consider wedi® Shower Curb AT (Anchor Track) when planning to mount glass door/panel fixtures through the curb surface.
- Seams in the assembly, which are not flat transitions or right angle inside corner connections, are treated with these extra steps:
 - 1) Assembly parts are installed tight and offer a minimum of 1/2 inch wide continuous contact/adhesion surface between two parts, inside which wedi® Joint Sealant is continuously applied.
 - 2) Apply 1/2 inch bead of wedi® Joint Sealant over all seams, spread flat over the seam covering it 1 inch wide on both sides of the seam. The joint sealant should be 1/6" thick also where it wraps around an outside corner. Use an alkali resistant mesh tape between two applications of wedi joint sealant as a thickness gauge if needed.
 - 3) wedi® S-DRY™ Tape is installed over these seams in a bed of wedi® S-DRY™ SEAL if these seams are exposed to flood testing. Over these seams, do not apply sealant or remove it so the S-DRY™ SEAL can directly bond to the wedi panel surfaces. Try to avoid mixing S-DRY™ SEAL and wedi® Joint Sealant, as the two products do not bond and are not compatible.

Tools needed for a wedi Fundo® Curbless Shower Installation



- Inside Pipe Cutter
- Caulk Gun
- Screw gun w. Phillips bit
- Corded thinset mixer with 650 RPM minimum when using wedi® PRO-SET™
- Bucket
- Handsaw
- Circular Saw
- Utility Knife
- Solid Putty Knife
- wedi® Corner Putty Knife
- Flat Head Screwdriver
- Saw Horse
- Level
- Tape Measure
- 1/4 in. square Notch Trowel
- Straight Edge / T Square 5 ft. (1524 mm) or longer
- Respirator Mask (N95)
- Safety Glasses
- Ear Protection
- Permanent Marker
- Paper Towels
- Scissors
- Shop vacuum cleaner
- Extension Cord for Power-tools

Post-installation check list and tiling

i All fastener points are visibly covered with wedi® Joint Sealant. All protrusions (ie. plumbing fixtures) are sealed into the wedi assembly with wedi gaskets and sealant. All visible joints or seams in the installation are visibly covered and reinforced with wedi® Joint Sealant that is applied flat over the seams. Coverage of wedi® Joint Sealant over all seams should be at least 1 inch on either side of the seam. wedi® Joint Sealant should be no less than 1/16 inch thick to ensure strength. Do not add mesh tape into the wedi® Joint Sealant except when used as a thickness gauge over difficult to seal over outside corners and when in area not subjected to high water exposure. It is recommended to add wedi® S-DRY™ Tape over seams featuring outside corners (e.g. pony wall tops or curb deck transitions). Once wedi® Joint Sealant has been applied over all shower system seams, an optional water flood test may be performed in as little as 2 hours. If wedi® S-DRY™ SEAL and wedi® S-DRY™ Tape was used, wait 6 hours. Please ensure the sealant has cured sufficiently and has formed a skin, is no longer pliable or sticky leaving sealant residue upon touch. wedi® Joint Sealant is a moisture curing product that will react to cure very slow when applied in a location with low relative humidity in the air, and it will overreact and malfunction if exposed to too much water (i.e. flood test) too early. The flood test should not exceed 24 hours, nor should the water level exceed the height of the perimeter seams so that the fresh sealant may continue to a full cure without too much weight added during that process. Be careful not to fill water all the way to the top of the curb where it may work itself through the thinset bed of the curb top finish and escape over the wedi curb surface which may lead you to mistakenly believe the shower is leaking. wedi recommends testing the drain connection for a proper seal. While a full surface flood test is not required for non-absorbing products like wedi, it may be required by a building inspector. When tiling commences, do not use any premixed (“mastic”) tile adhesives over wedi® systems in wet-area installations. When tiling the wedi Fundo® Shower Bases, including extensions, tile thickness should generally be no less than 1/8 inch. Be aware that wedi Fundo® drain covers are 3/16 inch thick, so very thin tile must be appropriately supported by a compressed thinset bed to reach an installation height slightly higher than the cover. Plan for a 1/4-inch overall tile installation height. Ceramic and stone tile must be installed in accordance with ANSI A108-A118-A136.1 , details and requirements established by the Tile Council of North America, and specific manufacturer recommendations. The following recommendations are made specifically for tile installation over wedi products and supersede when in conflict other requirements and limitations.

Tiles should have a minimum thickness of 1/8 inch (3 mm) and adequate for the application on a sloped surface in a wet environment.

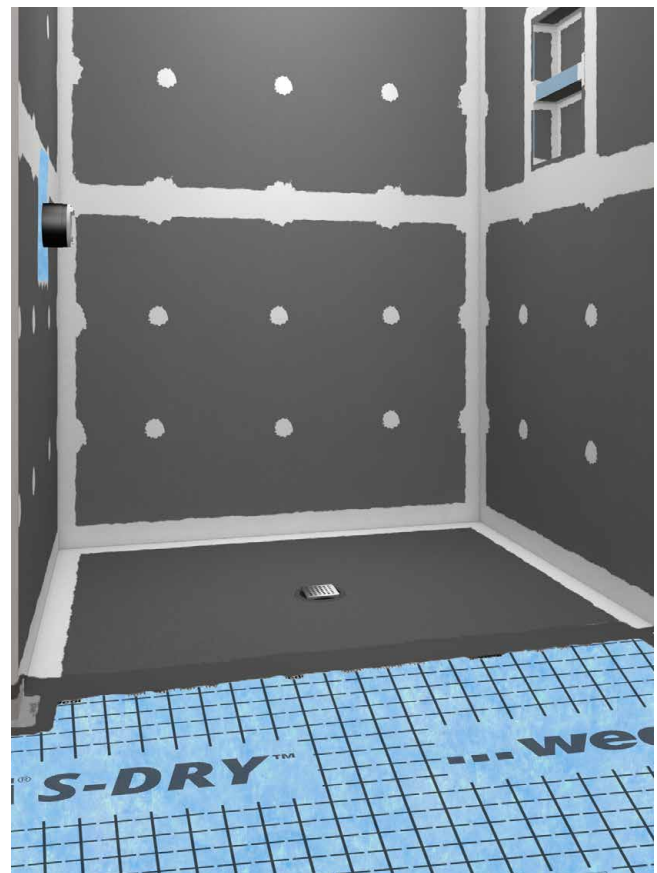
The appropriate trowel size should be selected based on recommendation by manufacturers of mortar and tile and a thinset mortar coverage under the tile of 95% or greater must be achieved. It is recommended to remove factory applied mesh if this can interfere with adhesion transfer of mortar to the back of the tile or substrate. Some tiles should be back buttered.

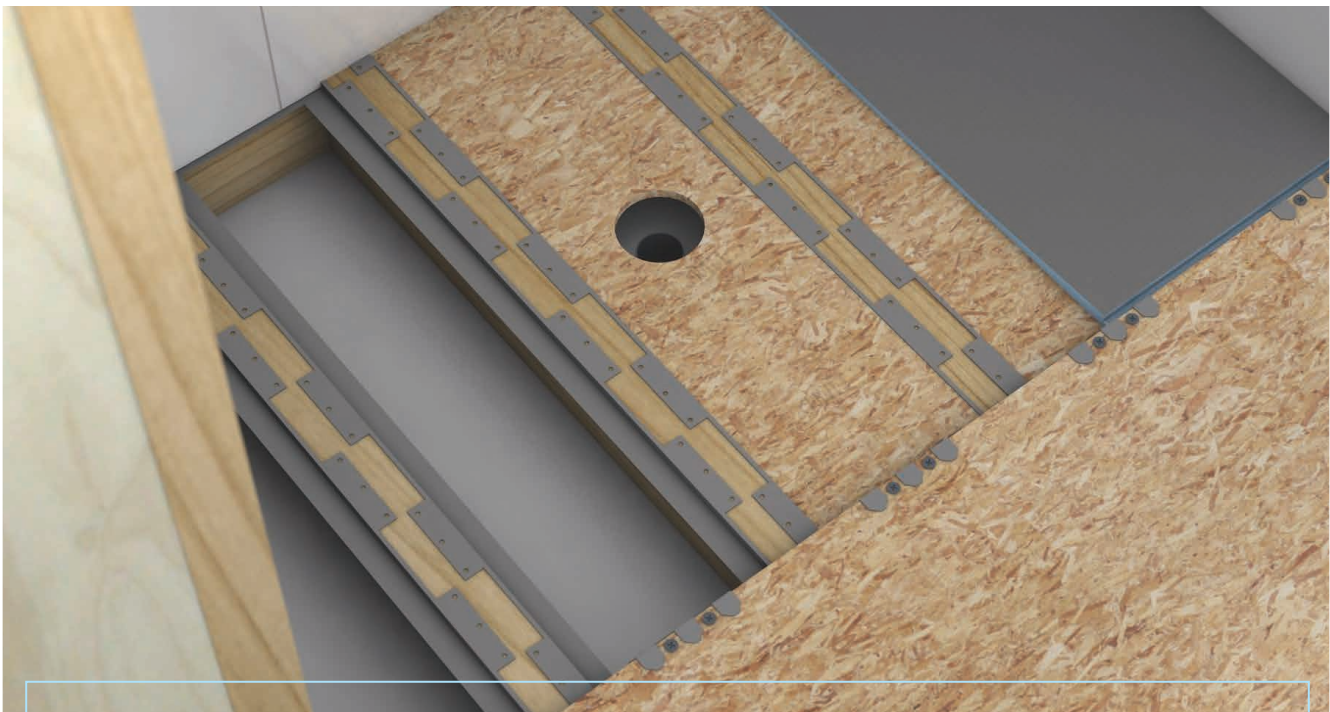
No tiles smaller or shorter than 2 inches x 2 inches (50.4 mm x 50.4 mm) may be used in wedi Fundo® Curbless installations.

Tiles may be installed using a modified cement based thinset mortar in accordance with ANSI A118.4 or ANSI A118.15 and a modified

cement based grout in accordance with ANSI A 118.7.

wedi showers that are subject to increased point loads (example: wheelchair , shower chairs) should be installed using a combination mortar and grout made from 100% solids epoxy in accordance with ANSI A118.3. No pebble stone or tile with irregular or non-flat underside may be installed over wedi Fundo® Curbless. Moisture-sensitive tile and stone, including marble, are best protected when installed using solid epoxy tile adhesive and grout. Verify with the manufacturer of mesh-mounted tile that the adhesive and mesh used on the back of the tile are suitable for use in wet areas. It is important to achieve full transfer of thinset mortar through the mesh to the back of the tile. A best practice we recommend is to always remove the mesh when setting the tile. Large-format tile may be installed over wedi Fundo® shower bases. Cuts may have to be made in consideration of the base's slope lines to ensure that the tile is fully supported by the adhesive bed and the wedi® Shower Base surface. Refer to TCNA guidelines for the setting material coverage required for tiles installed in wet-room applications such as wedi shower projects (minimum requirement is 95% mortar coverage under the tile). Use only cleaners and sealers that are free of acid or solvents on tile or grout installed over wedi® Products, and apply only the amount needed to treat the surface materials without saturating the substrate. Avoid heat sources when making grout repairs, as they may damage the foam core of the product. Follow the setting-material manufacturer's recommendations, and contact wedi with any questions or regarding applications not covered here.





wedi® Curbless Shower Recess Kit

To make preparation for a wedi Fundo® Curbless Shower Kit or wedi® S-DRY™ Shower Kit installation much easier and safer, we offer the wedi® Curbless Shower Recess Kit. This installation kit is designed to help you recess a wood floor between existing floor joists (2 x 10 joists or engineered joists) without the need to sister these joists with more 2 x 6, or other wood framing material. It will add structural stability and safety to the recess, and allow for a safe installation process. In turn, this will help save time compared to working with framing material only. Recessing the floor is now possible even where HVAC equipment or plumbing systems are crowding the space in between joists. The wedi recess bracket support system will allow a $\frac{3}{4}$ inch wood floor to be solidly situated between and flush with joists. The bracket system connects, carries, and supports the recessed wood along floor joists; along the surrounding subfloor (not recessed) and the sides of the shower where the wood meets the framing bottom plates. Ensure the general subfloor construction, before installing the wedi system, meets current IRC requirements for structural construction, meets dead and live load minimum requirements, and has a deflection potential of less than $L/360$. Once the wedi bracket system is installed, and the recessed floor is in place, all requirements will be met or exceeded. The system comes in one box equipped with two different profile types, and all the necessary hardware. One kit covers recessed spaces for a wedi Fundo® Curbless Shower Base or wedi® S-DRY™ Shower Base up to 5 ft. x 5 ft. in size. Do not use this system for any other recessed shower installations except the wedi Fundo® Curbless Shower System to maintain wedi warranty coverage. This bracket system is developed for use in subfloors with floor joists spaced 16 in. on center.



Joist Bracket



C-Bracket

Installing wedi® Curbless Recess Kit



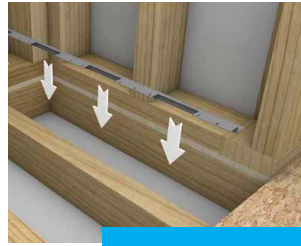
1

Measure and mark the area of subfloor to be removed. Use a circular saw to cut close to the framing. wedi recommends a combination of saws (i.e. sawzall or rotary cutter tool) where a standard circular saw might not reach. Ensure the 2 inch floor waste pipe is installed and positioned to fit the curbless shower base drain. The pipe is cut square and even at $\frac{5}{8}$ inch below the recessed subfloor top surface. A 6 $\frac{1}{2}$ inch cutout must be made into that floor strip with the drain pipe in its center. It is important to position the drain and cutout to not interfere with a floor joist.



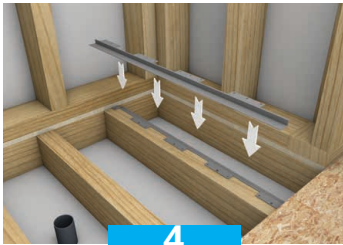
2

Cut the joist brackets to the length of the exposed floor joists. Depending on length and direction of floor joists, you may need to add a shorter joist bracket. Do not use joist brackets shorter than 12 inches, or equipped with less than two (at least partial) mounting flanges.



3

Install the joist brackets to the floor joist using the pancake head wood screws provided by wedi. Set one screw per each mounting flange in the center screw hole (unless bracket is cut, which is when at minimum two mounting flanges must be fastened using available screw holes). Brackets should be aligned with the top and side of floor joists, but allowing for up to $\frac{1}{4}$ inch and minimum of $\frac{1}{16}$ inch space between the floor joist's vertical side and the metal bracket. This helps to mitigate joist expansion/contraction, and irregularities without creating too much tension.



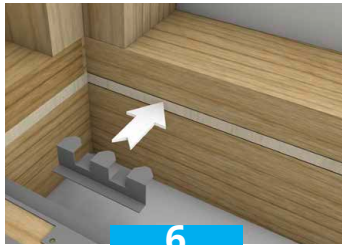
4

Fasten the next bracket on the other side of the floor joist. The mounting tabs must be staggered from those on the first bracket; this may require cutting the second bracket.



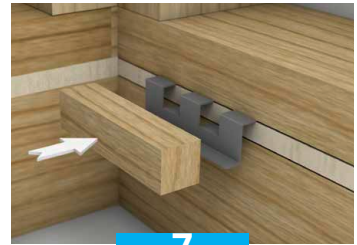
5

Repeat the process shown under step 4 and install joist brackets to all exposed joists.



6

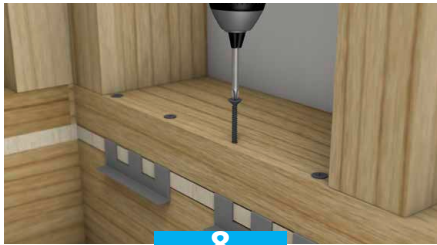
Place C brackets at the wall sides. The C brackets are installed at both ends of the recess area first, and then along the wall/side every 12 inches (center of C bracket to center of C bracket).



7

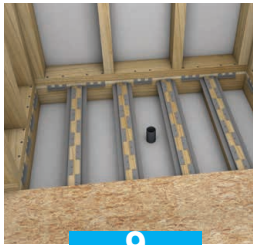
The C brackets are inserted with their claws between the floor surface and the underside of the base plate. Use a wood block or a hard rubber mallet to push the C brackets into position.

Make sure the C brackets are mounted in a



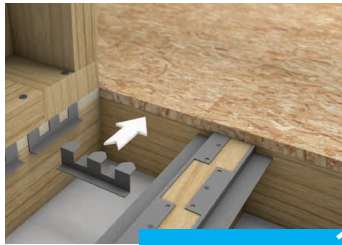
8

level position (assuming a level base plate), and use the longer Phillips self-drilling screws with wings provided by wedi. Fasten through the base plate and into the metal claw resting between the base plate and the wood floor top. Install one C bracket against the wall, and centered between each pair of floor joists.



9

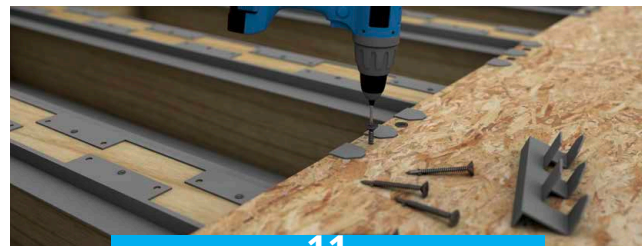
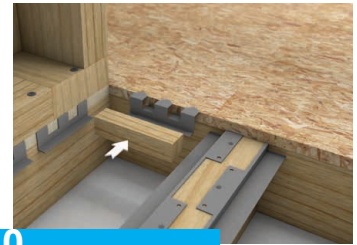
Dry-fit C brackets to the edge of the wood floor to ensure C brackets can be installed for full



10

support along the edge of the floor plate. Use a wood block or hard rubber mallet to push the brackets to position.

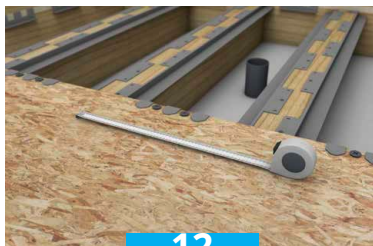
Use the shorter Phillips head self-drilling screws with wings provided by wedi to fasten C brackets



11

to the edge of the wood subfloor at the open side of the shower area. Fit the brackets between flanges of the joist/wall brackets. Use two screws to fasten this bracket through the wood floor and into the lower claws.

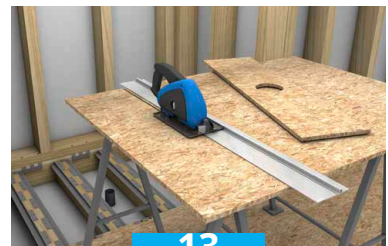
Measure and mark to cut wood strips to fit the recess bracket support system between



12

joists, being sure to leave $\frac{1}{4}$ inch gap between strips and brackets. The gap allows for expansion of wood without creating undo tension.

Cut the wood floor strips. Additionally, cut the strip for the drain area and include a 6 $\frac{1}{2}$ inch diameter



13

hole that will be set over the center of the floor waste pipe.

Clean and degrease the bracket support flanges/surfaces and apply a $\frac{1}{4}$ inch bead of wedi® Joint

Installing the wedi Fundo® Curbless Recess Kit



14



15



16



Sealant. Use wedi® Joint Sealant, or a construction adhesive suitable for metal and wood application.

Place all wood strips into position on the brackets.

Secure the wood strips to the C and Joist brackets using the shorter

Phillips head self-drilling screws with wings as provided by wedi. Fasten, at minimum, every 10 inches where joist brackets are present, or where C brackets are in-line along the framed wall and parallel to the floor joists. Fasten wood into all other C brackets with a minimum of two screws where singular C brackets are mounted between floor joists on wall framing or wood floor transition side.

Install the curbless shower base in a bed of tile adhesive as per the wedi Fundo® Curbless Shower Base installation manual.



14

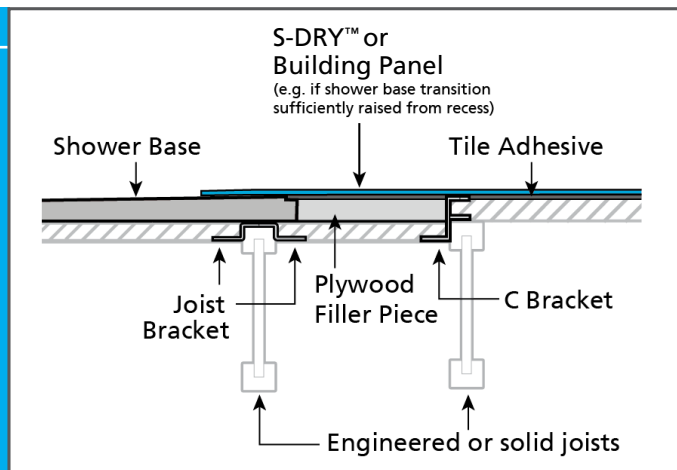


15

Curbless shower base is now flush with the surrounding subfloor, and is supported by a subfloor with structural integrity for a safe tile installation.

Did you know?

When the joists are parallel to the shower entry, the transition to the recessed floor needs to be placed on the front (the edge of a joist adjacent to the recessed part) edge of floor joist regardless of final placement of the sloped shower base placement. This means at times the recess needs to be extended past the intended shower base space. It is important that the transition of the non-recessed subfloor panel is fully supported by the floor joist. The additional resulting recessed space not covered by the shower base can be filled in with plywood in a thickness needed to create a flush transition floor area. The entire transition area is waterproofed with wedi tile underlayment connecting or overlapping into the shower base (either wedi® S-DRY™ or a wedi® Building Panel with a sealed notch connection to shower base channel.)



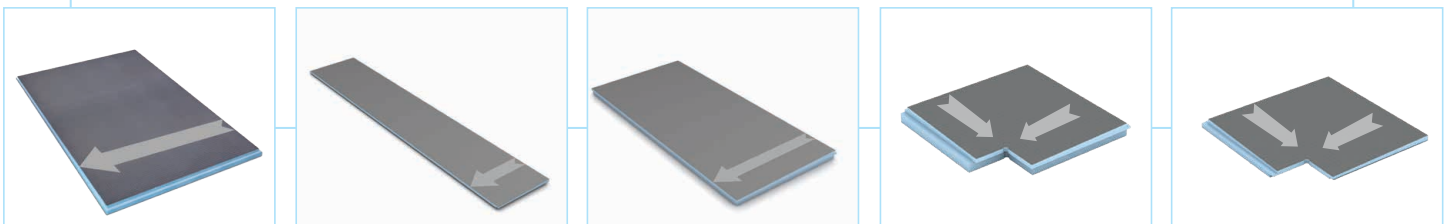


wedi® Extension Panels

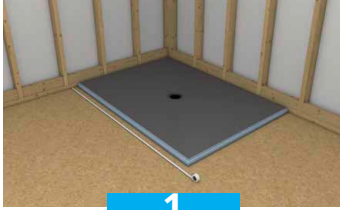
In addition to customizing our shower bases by cutting them down and re-creating the ½ inch channel, wedi also has extension panels and pre-made corner extension panels to extend the shower base. If one extension panel isn't large enough, you can use multiple extension panels to achieve the desired overall shower base size. You can use extension panels on one side of the wedi shower bases or multiple sides. The extension panels are all pre-sloped ¼ inch per foot in one direction. When extending the shower floor on two or more adjacent sides of the shower base, please use our prefabricated corner extensions (or use straight extensions connected at 45 degrees in the corner) to give the surface slope proper direction and to avoid uneven connections between extensions.

For the wedi Fundo® Shower Base and wedi Fundo® Linear Shower Base, you will want to use the wedi® Shower Extension 12 in. x 72 in., the wedi® Shower Extension 24 in. x 48 in., as well as the wedi® Shower Corner Extensions. For wedi Fundo® Shower Bases thicker than 1 ½ inch where an extension is connected, it will require a wedi® Building Panel to be placed under the extension panel to adjust for a proper fit. If multiple extensions are used, the proper thickness building panel will need to be installed under the extension to ensure sloped surfaces align properly.

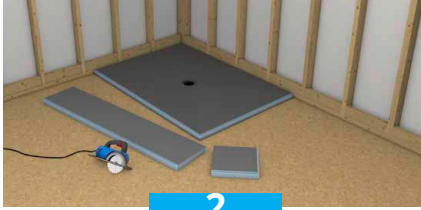
For the curbless shower base, you'll want to use the wedi® Curbless Shower Extension 12 in. x 60 in. and the wedi® Curbless Shower Corner Extensions. When adding an extension panel at or near the shower entrance, the overall thickness of the shower floor/base is increased and may require adjustments in the adjacent floor height. For curbless showers larger than 6 ft. x 6 ft., it is also an option to use two Curbless Shower Bases with two drain assemblies with plumbing connections to keep the perimeter height as low as possible. Corner extension panels are also available when needing to extend a shower in two directions.



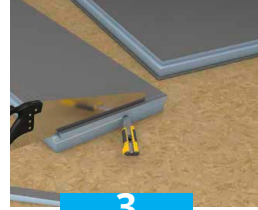
Installing wedi® Shower Extensions



1



2



3



4

wedi Fundo® shower base is installed first. Determine measurements for the extended shower area. In this example, we are extending the shower area in one direction only using our extension panel.

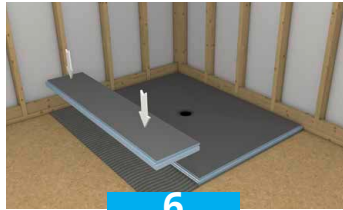
Cut the extension panel to size using a circular saw or handsaw and dry-fit the extension panel to the shower base's perimeter channel. The extension panel features pre-made channels ½ inch deep and ½ inch wide, to connect to the shower base, as well as channels on its top surface perimeter where wedi Building Panels (at a wall transition), or a curb can be connected safely.

If additional channels are needed after cutting to size, these can be re-made using a circular saw and / or a utility knife.

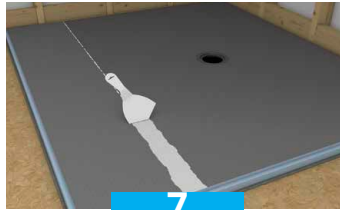
A ½ inch bead of wedi® Joint Sealant is continuously applied on the horizontal and vertical surface area of the Fundo base channel. Apply a modified thinset bed on the subfloor



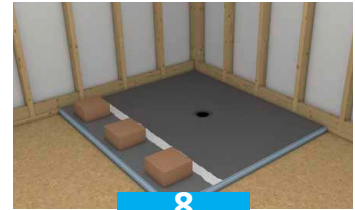
5



6



7



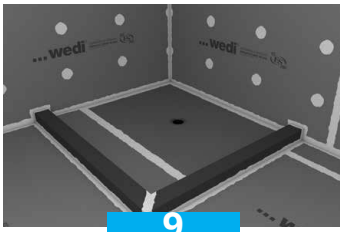
8

as well as on the underside of the extension using a ¼ in. x ¼ in. square notch trowel on each surface. Make sure the mortar does not contaminate the joint sealant. Install and press the extension panel into the

thinset bed and let it connect tightly into the channel connection of the Fundo shower base. Use a flat putty knife to spread all excess joint sealant flat over the connection seam. Finally, a continuous ½ inch bead of wedi® Joint

Sealant is applied over all surface connection joints and spread over the joints using a putty knife. Weights are applied equally over the shower

floor to promote a firmer bond with the thinset mortar allowing you to continue working on the shower walls immediately. The installation can now be completed using



9

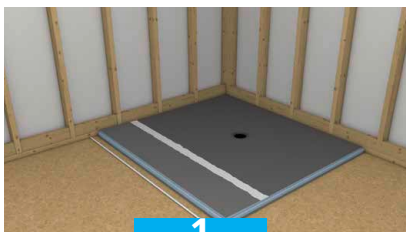


10

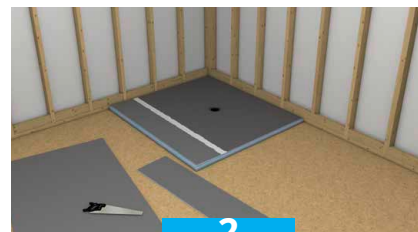
wedi® Building Panel for walls and wedi curbs to separate the sloped shower floor from the flat bathroom floor. The shower unit is ready for tiling. Please

consider and plan for the tile cut and grout line design. The shower base features slope fields that direct water to the drain from all sides, while the extension surface provides one sloped direction. For tile size recommendations and other post installation considerations please review the applicable wedi Fundo® Shower Base, Installation Manual, which applies to the extended shower floor area as well.

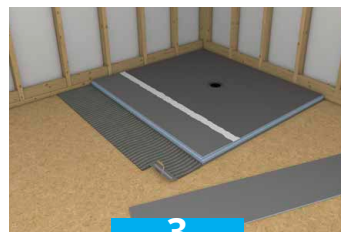
Adding a second (or multiple) wedi® Shower Extension



1



2



3



4

Determine measurements for the next extended shower area. In this example, we are extending the shower area in one direction only using our extension panels to connect to a previously installed extension panel. In this way, wedi Fundo® shower bases can be extended indefinitely. Please note that all added extensions will increase the height of the construction from the floor through the slope built into the extensions. Usually, this requires adding additional wedi® Building panels of the thickness types ¾ inch, ¼ inch, or ½ inch to

build-up the added extension for a tight fit. Panels may need to be combined and multiple panels are adhered using a full surface contact bed of thinset mortar applied using a notch trowel between ¼ inch square to ¼ inch square. Please dry-fit this build up and consider the thickness of mortar to be added. Apply a modified thinset (such as wedi® PRO-SET™) bed on the subfloor using a ¼ inch x ¼ inch square notch trowel.

Make sure the mortar does not contaminate the joint sealant. Place the wedi® Building Panel into the thinset bed.



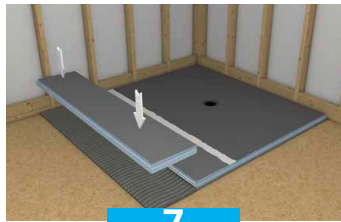
5

Apply a modified thinset (such as wedi® PRO-SET™) bed on the Building Panel using a notch trowel.



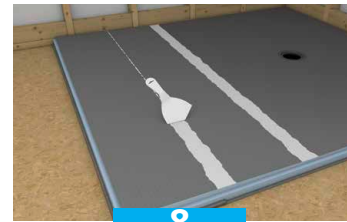
6

A 1/2 inch bead of wedi® Joint Sealant is continuously applied to the horizontal and vertical side of the extension panel already installed on the floor.



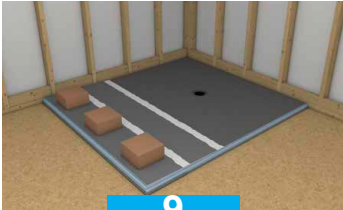
7

Install and press the new extension panel into the thinset bed and let it connect tightly into the channel connection of the Fundo shower base. Use a flat putty knife to spread all excess joint



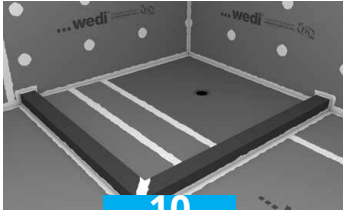
8

sealant flat over the connection seam. Finally, a continuous 1/2 inch bead of wedi® Joint Sealant is applied over all surface connection joints and spread over the joints using a putty knife.



9

Weights are applied equally over the shower floor to promote a firmer bond with the thinset mortar allowing you to continue working on the shower walls immediately.



10

The installation can now be completed using wedi® Building Panel for walls and wedi® curbs to separate the sloped shower floor from the flat bathroom floor.



11

The shower unit is ready for tiling. Please consider and plan for the tile cut and grout line design. The shower base features slope fields that direct water to the drain from all sides, while the extension surface provides one sloped direction. For tile size recommendations and other post installation considerations please review the applicable wedi® Shower Base, Installation Manual, which applies to the extended shower floor area as well.

Installing sloped wedi® Shower Extensions across shower base corners



1

wedi® Shower Base is installed first.



2

Determine the measurements for the shower area to be extended. In this case, we will extend the shower area on two sides. Measure, cut and dry-fit two extensions so they



3

can be abutted along a 45 Degree corner seam. Cut the extension panels to size using a circular saw or handsaw and dry-fit the extension panel



4

to the shower base's perimeter channel and so they can join butted tightly at the corner. The extension panel feature pre-made channels 1/2 inch deep and 1/2 inch wide, to connect to the shower base, as well as channels on its top surface perimeter where wedi® Building Panels (at a wall transition), or a curb can be connected safely. If additional channels are needed after cutting to size, these can be re-made and cut out using a circular saw and/or a utility knife.



5

Turn both extensions on their back and cut a 1/2 in. x 1/2 in. notch channel into each extensions edge where both extensions connect. Make and dry-fit a strip of 1/2 inch Building Panel into the 1 in. x 1/2 in. channel formed by the two extensions where these join.



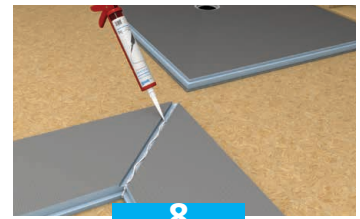
6

Apply 1/2 inch beads of wedi® Joint Sealant along the edge of both extensions where these later connect.



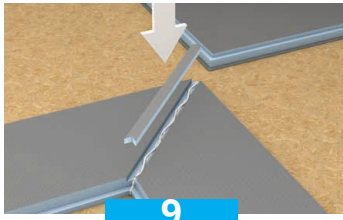
7

Join both extensions and press these together tightly and keep pressure on the panels so the sealant can initiate its curing process under pressure for at least 30 minutes.



8

Apply two 1/2 inch beads of wedi® Joint Sealant along and inside the channel.



9

Insert the 1/2 inch wedi® Building Panel strip. Make sure the strip is shaped to fully align with the channel shape. Where the extension connects to the shower base corner, this strip will need to show a V cut. On the other side of the strip on the exterior corner, it will have the shape of a pointed arrow. Apply a final seal of wedi® Joint Sealant over the seamed area and cover it widely and 1 inch beyond all seams.



10

Allow the extension to cure for at least 30 minutes.



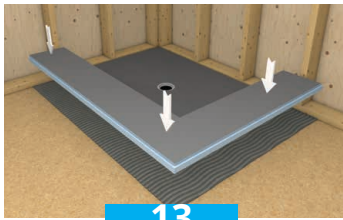
11

A 1/2 inch bead of wedi® Joint Sealant is continuously applied on the horizontal and vertical surface area of the Fundo base channel. Apply a modified thinset bed on the subfloor



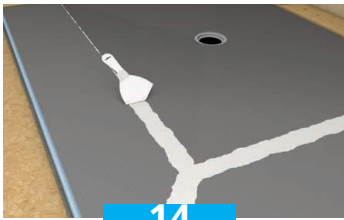
12

as well as on the underside of the extension using a 1/4 in. x 1/4 in. square notch trowel on each surface. Make sure the mortar does not contaminate the joint sealant.



13

Carefully turn the extension panel corner so its sloped side is up. Press the panel firmly into the thinset bed.



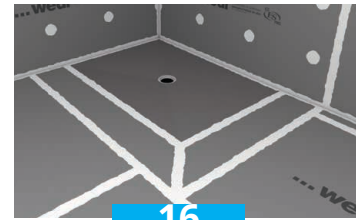
14

Finally, a continuous 1/2 inch bead of wedi® Joint Sealant is applied over all surface connection joints and spread over the joints using a putty knife.



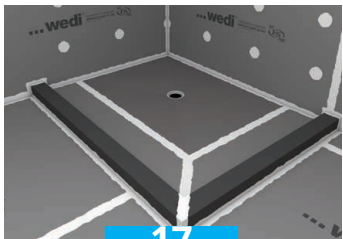
15

Weights are applied equally over the shower floor to promote a firmer bond with the thinset mortar allowing you to continue working on the shower walls immediately.



16

Option 1: The installation can now be completed using wedi® Building Panel for walls and bathroom floor.



17

Option 2: The installation can now be completed using wedi® Building Panel for walls and wedi curbs to separate the sloped shower floor from the flat bathroom floor.



18

Option 3: The shower unit is ready for tiling. Please consider and plan for the tile cut and grout line design. The shower base features slope fields that direct water to the drain from all sides, while the extension surface provides one sloped direction. For tile size recommendations and other post installation considerations please review the applicable wedi Fundo® Shower Base, Installation Manual, which applies to the extended shower floor area as well.

Installing pre-made, sloped wedi® Shower Corner Extensions



1

wedi Fundo® shower base is installed first.



2

Determine the measurements for the shower area to be extended. In this case, we will extend the shower area on two sides.



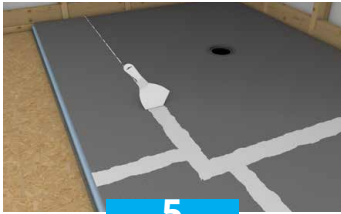
3

Measure and cut your extension panels using a circular saw or handsaw and dry-fit the corner extension panel to the shower base's perimeter channel and so it can join interlocking tightly into the base's channel and connect and interlock to the straight extensions on both sides as well. The extension panels feature pre-made channels ½ inch deep and ½ inch wide, to connect to the shower base, as well as channels on its top surface perimeter where wedi® Building Panels (at a wall transition), or a curb can be connected safely. If additional channels are needed after cutting to size, these can be re-made and cut out using a circular saw and/or a utility knife. Apply a modified thinset (such as wedi®



4

PRO-SET™) bed on the subfloor as well as on the underside of the extension using a ¼ in. x ¼ in. square notch trowel on each surface. Make sure the mortar does not contaminate the joint sealant. With the sloped side up firmly press extensions into the thinset mortar bed and connect to shower base and side extension(s).



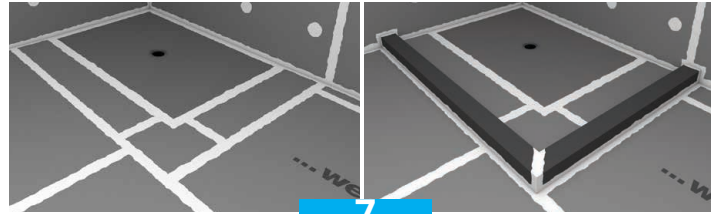
5

A ½ inch bead of wedi® Joint Sealant is continuously applied on the horizontal and vertical surface area of the Fundo base channel and to and along all notch connections of extensions in the same manner (it is enough to apply only on one side/product when connecting two products). A continuous ½ inch bead of wedi® Joint Sealant is also applied over all surface connection joints and spread over the joints using a putty knife once all extensions are connected tightly fitting. Weights are applied equally over the



6

shower floor to promote a firmer bond with the thinset mortar allowing you to continue working on the shower walls immediately. The installation can now be completed



7

using wedi® Building Panel for walls and wedi curbs to separate the sloped shower floor from the flat bathroom floor.

The wedi Fundo® Linear Shower System

The wedi Fundo® Linear Shower System (available as a complete shower kit or as à la carte products to customize the installation) offers full warranty coverage like all wedi Fundo® Shower Systems, thanks to its consistent and inherently waterproof core, and its range of specially-engineered components. The base features a strong, pre-sloped surface, allowing for tiling immediately whether you choose mosaic or large format tile. The wedi Fundo® Linear Shower Base is designed with a 4-way slope which allows the base to maintain a level perimeter thickness despite its off-center drain location. This makes it safe and easy to install linear bases in curbless shower designs and into a sufficiently recessed floor structure. Linear bases are commonly installed with a curb, but can be placed in curbless designs where a recessed floor is available and accommodates the increased depth due to the one sided build up of the shower base thickness due to the one-directional slope. Pre-sloped extension panels are available so that no limit exists for creating any size or shape for custom shower designs.

The wedi Fundo® Linear Shower Module is designed with two elements: a line module with integrated drain, and a sloped extension panel to provide the shower base. The single and one-directional slope allows for drain positioning close to a wall and is ideal for the use of large format tile without the need for miter cuts. The wedi Fundo® Linear Shower Base and Module come equipped with a wedi® Fundo Click and Seal® Drain Kit drain unit, designed for safe performance and to ensure a perfect tiling experience. Maintenance and cleaning is convenient as you can just lift the cover and clean the channel body.

Key features of wedi® Fundo Click and Seal® Drain Kit drain are:

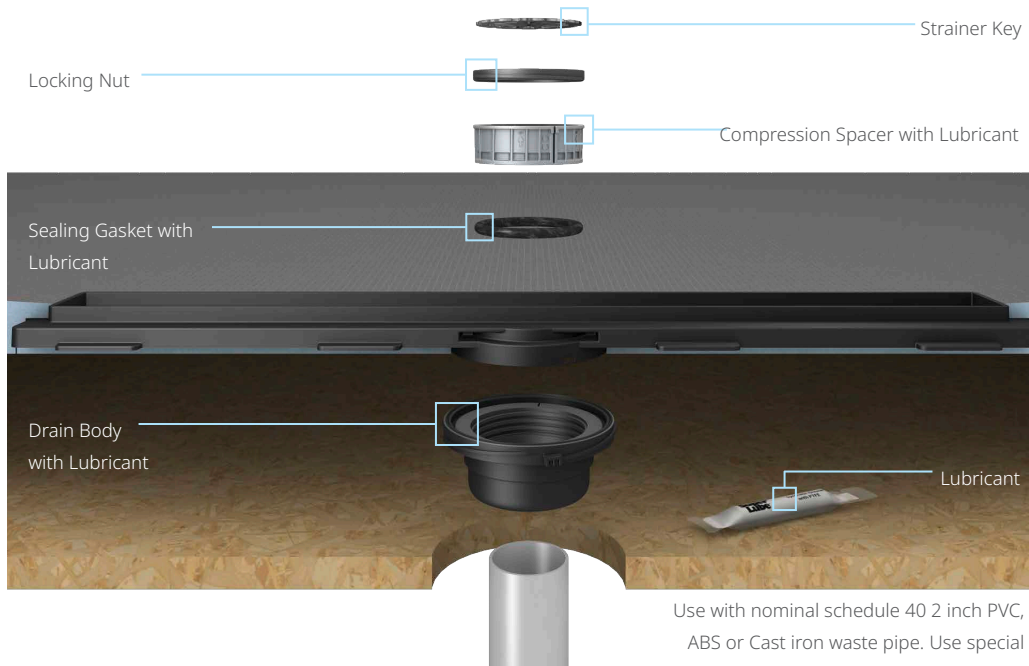
- The drain connection to the floor waste pipe is made from above when standing inside the shower and no access to the subfloor from below is needed.
- A safe compression fit seal to the entire range of 2 inch floor waste pipes whether made of PVC, ABS, or Cast Iron.
- All drain parts function in a mechanical, simple and controlled process – with no glues or sealants needed.
- Drain system is fully integrated and does not rely on sealants, screws or other product potentially vulnerable and directly exposed to water over time.
- wedi® Fundo Click and Seal® Drain Kit mechanism allows for simple and safe assembly.
- wedi® Fundo Click and Seal® Drain Kit allows for a connection to a floor waste pipe that is easily cut flush with the floor, and it can connect safely even where the floor waste pipe is slightly angled (up to 5 Degrees). Please always test the seal of a drain to waste pipe connection by plugging up the drain and filling with water until it reaches the cement surface of the wedi Fundo® Shower Base.
- The wedi Fundo® Linear Shower drains are installed without the need for shimming or leveling or making manual waterproofing connections.
- wedi® Linear Drain Covers can be adjusted in height during tiling to meet all tile designs perfectly- from ¼ inch tile to 1 inch tile.
- Provided that the waste pipe and plumbing is open, wedi Fundo® linear drain and drain cover flow rates exceed 14 gallons/minute.

These added values and perfection in details eliminate the technical concerns in shower installations. The wedi Fundo® Shower System adds to your productivity and enables you to provide real value to your customers: Our wedi Fundo® Shower Systems reduce the installation time for just the shower floor from a 2-3 day process (including drying times) to only 30 minutes when compared to traditional methods built with pre-slope, vinyl liner, and final mortar bed. wedi helps you to complete a shower installation quicker, cleaner, and safer. Especially for our contractors, wedi Fundo® Linear ShowerBase helps to get to setting tile faster and on a much more consistent and tile-friendly surface. Customers will appreciate the “no noise, no dirt, no dust” installation. wedi products do not contain harmful ingredients, providing peace of mind to contractors and end users. The exact and consistently shaped slope fields support perfection in tile setting and design. The cement-based resin surface coatings on our products provide a great bond surface for tile, stone, and many other materials. All good-quality, cement or epoxy-based tile adhesives recommended for use in wet area applications work great on wedi Fundo® Linear Shower Module. The entire shower, from floor to wall, is all under one warranty.



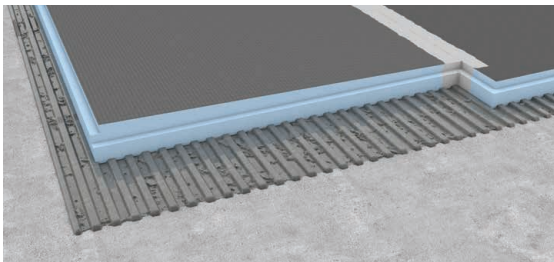
The wedi Fundo® Linear Shower System

wedi Fundo® Linear Installation Manual

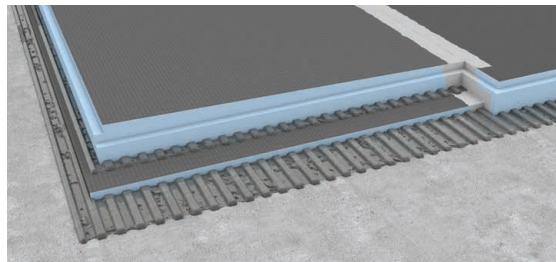


wedi Fundo® shower bases may be cut and/or extended

wedi prefabricated extensions are pre-notched. They can be joined with other extensions in a mitered design, joining two or more sides of a shower to be extended. Make interlocking notch connections on-site as needed for mitered connections. Consult wedi's manual for using wedi sloped extensions.



The shower base may be extended using a pre-sloped wedi extension panel.



wedi shower bases thicker than 1½ inch where an extension is connected require a wedi building panel be placed and thinset mortar adhered under the extension panel to adjust for a proper connection fit.

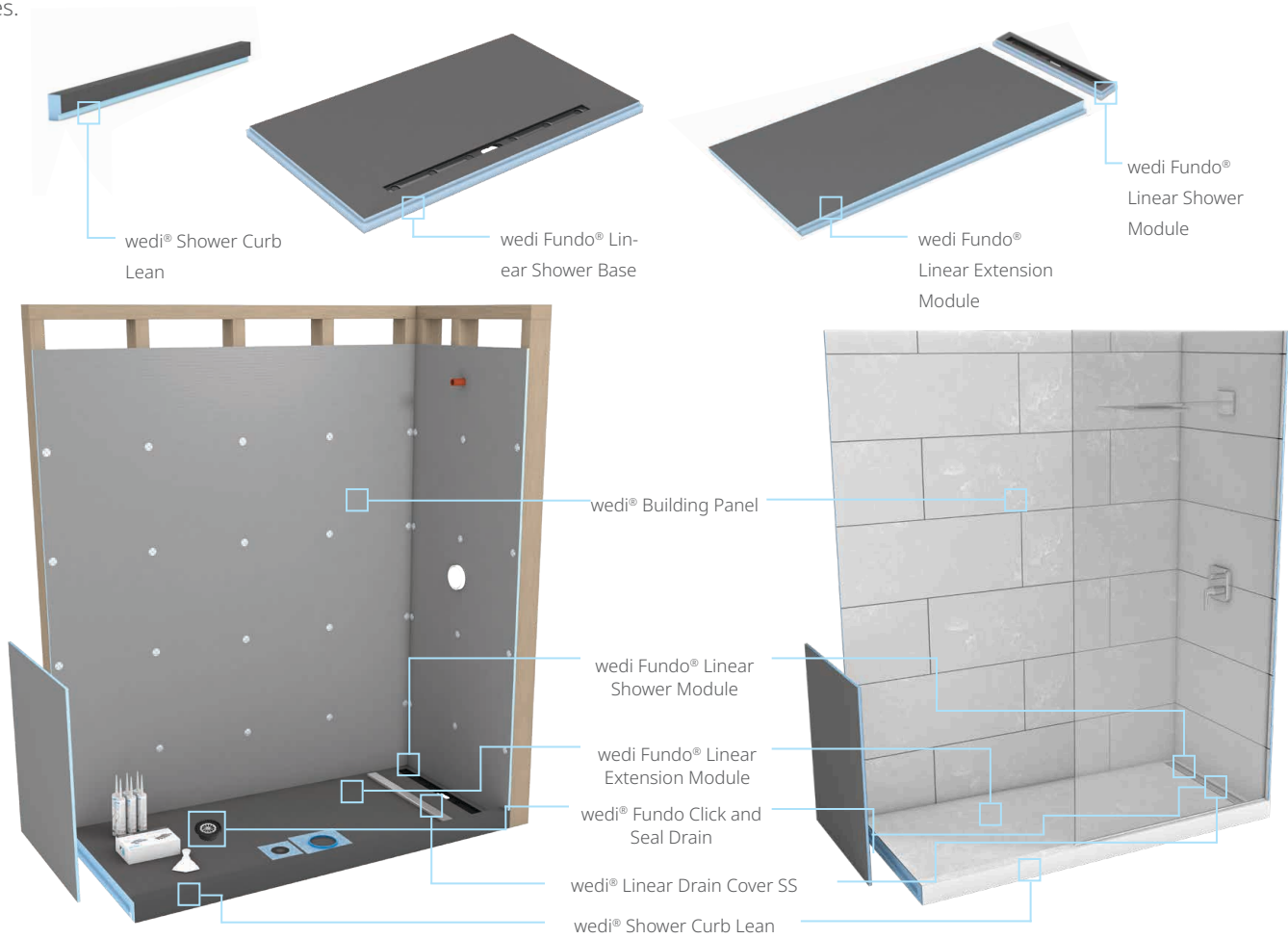


A wedi shower base can be cut to size using a circular saw with a standard carbide blade. You can remake the ½ inch x ½ inch perimeter channel by cutting through the cement surface using the circular saw set to cut ½ inch deep. Run the circular saw over the flat underside of the shower base for a straight and square cut. Clean the new channel and the base and remove all saw dust and loose particles.



Installing a wedi Fundo® Linear Shower System

This installation manual will give you step-by-step instructions on how to install the various sizes of wedi Fundo® Linear Shower Base (often used with a wedi® Shower Curb, sold separately) or wedi Fundo® Linear Shower Modules and Extensions Modules.



Installation accessories pictured:
 wedi® S-DRY™ Mixing Valve Seal & Shower Pipe Seal,
 wedi® Joint Sealant, wedi® Corner Putty Knife,
 wedi® Fastener Kit

Installing the wedi Fundo® Linear Shower Base



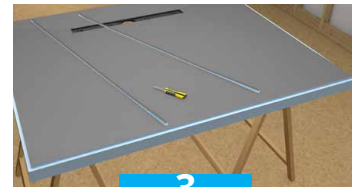
1

Cut out a 5 inch diameter hole around the 2 inch pipe's center to allow for the wedi drain to be inserted into the subfloor while the cut out area must remain free of deflection. Make sure that the cutout fits the Fundo base's drain. Cut the 2 inch waste pipe even and flush with the subfloor surface. The drain waste pipe and P-trap have to be properly affixed to and supported by the subfloor structure.



2

Cut the Fundo base to fit between framed walls and so its wedi drain unit can connect with the floor waste pipe. Consider also the space needed by a curb or extension before cutting your wedi base. Consider that cutting the base may change the slope design and tile layouts should be considered before cutting. Consider that enough material thickness remains available to later remake the 1/2 in. x 1/2 in. perimeter channel where the bottom of the channel must not be thinner than 1/4 inch. Do not cut close to the integrated drain and maintain a minimum distance of 2 inch from the drain opening. It is recommended to turn the base on its back so you can move the circular saw over a flat surface ensuring a square cut. The distance measurements of the center of the pipe, when measured from all walls, should match the distance measurements of the Fundo base's drain center to the outside edges of its perimeter (including the channel).



3

Once cut, you want to dry-fit the base and then remake the 1/2 in. x 1/2 in. perimeter channel where the base connects to wedi® Building Panels, curbs, ramps or extensions. Clean the base and channels from saw dust using a vacuum cleaner.

Installing the wedi Fundo® Linear Shower Base



4

Next, install the wedi® Fundo Click and Seal® Drain Kit. Drain components are delivered inserted inside the drain body. Please take the parts out and use step by step following our manual here.



5

Apply the wedi-provided safe lubricant (silicone base) to the black rubber ring inside the wedi drain body.



6

Insert the drain body snugly into the receiving mechanism of the drain unit on the underside of the Fundo base. Make sure the base is well supported at the drain area (ie. placed on a plywood sheet or table) so installing the drain unit will not bend the base. Once inserted, turn the



7

drain body clockwise until its plastic flap clicks in position in its final resting position. This will require no more than a quarter turn. If you ever want to remove the drain body from a locked position, use a flat head screwdriver to push the snap mechanism's plastic flap inwards while unscrewing the drain body counter-clockwise (**LEFT**) at the same time. In case it is difficult to hear the click mechanism, you can also verify a safe connection as described under point 8. Be careful not to push the drain body into the base with force as this can damage the integrated drain parts. Ensure the locked in place drain unit is resting flat and level in the base's receiver and is flat and level with the base's cement coating.



8

On the top side of the drain you can verify the drain unit has successfully connected when the single hash marks are centered between the double hash marks.



9

Clean the subfloor with a moist sponge to remove dust and dirt, and apply a skimcoat of a suitable, modified tile adhesive/thinset (ANSI 118.4 or better), and comb through with a ¼ in. x ¼ in. notched trowel. Trowel lines should be applied uniformly and point towards the shortest side of the base area.

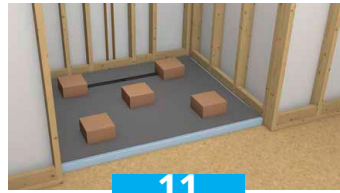
Trowel the thinset on the rear side of the Fundo again



10

using a ¼ in. x ¼ in. notched trowel. Flat trowel the thinset over the entire product's cement surface, then comb through thinset bed creating channels pointing in same direction as applied on subfloor. If a ½ inch square notch trowel was used to apply thinset to the subfloor, you want to apply only a flat skim coat of thinset on the rear side of the Fundo.

Press the Fundo firmly into the thinset bed (sloped side up) ensuring that the installation is



11

level along its perimeter and sides, and thinset attachment and coverage is void free. Apply some weight equally and leave on surface and drain area to allow the thinset to initially cure without being disturbed (e.g. tile boxes). Make sure the floor waste pipe is centered within the wedi drain unit and remains there until the drain connection is completed. To avoid movement of the base while thinset is fresh you may fix it in position using wood blocks temporarily fixed to the floor against the base on sides not framed in.



12

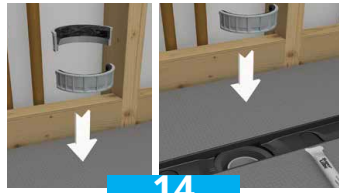
Apply wedi-provided safe Lubricant to the rubber sealing gasket and insert the rubber sealing gasket between the wedi drain unit's interior and the outside of the 2 inch waste pipe in the floor. Push the rubber sealing gasket down along the waste pipe until it is stopped by the drain unit's lower interior flange.

Using a sharp utility knife cut the compression



13

spacer into two halves along the pre-made cut lines/notches. This will allow you to insert both halves through the narrow drain opening. Apply wedi-provided safe Lubricant to the rubber part of the compression spacer halves. Insert the first and then the second half of the



14

compression spacer in between drain unit and waste pipe. They will both rest tightly on top of the rubber sealing gasket after they will push it into final resting position. The compression spacer's rubberized part will not always sit flush with the floor waste pipe's edge, which is due to the thinset thickness tolerances under the shower base. **Note:** The rubberized part of the compression spacer is not part of the wedi drain's waterproofing design – it is used solely to keep all dirt out of the drain connections.

Insert the locking nut with notched side up into the threaded part of the drain unit opening and screw



15

down until locking nut top is flush with top edge of drain unit's threaded part.

Important: Turn locking nut to LEFT to insert and screw into flush position.



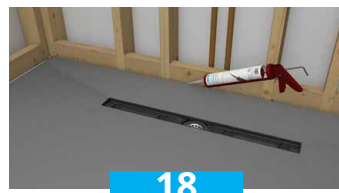
16

Insert strainer key into locking nut at notch connections and with Strainer Key printed side up. The strainer key is used as a tool to tighten the compression seal of the drain unit, but remains in place later to serve as a hair catcher to protect the drain and make maintenance and cleaning easy.



17

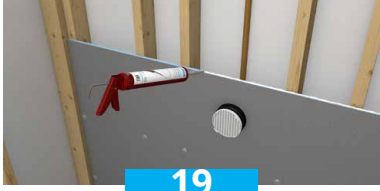
Insert a flat headed screwdriver into strainer key slit and turn **LEFT** to tighten the compression seal (turn Counter-Clockwise). Achieve a hand-tight fit and do not overtighten.



18

Clean the perimeter channels from dust or any other contaminants. Set up a continuous ½ inch bead of wedi® Joint Sealant along the bases's channel on the outer perimeter and only in areas where you can immediately install a building panel into the fresh sealant.

Installing the wedi® Building Panels



19

Push the wedi® Building Panel fully into the channel of the shower base, being sure the bead of sealant is fully compressed. Smooth out any pushed out sealant on inside seam using a putty knife. Fasten the panels directly to the studs starting 1 ft. above the base and in corners while keeping the board pushed down into the channel, and set the wedi fasteners with wedi washers at a rate of one fastener per 1 ft. On every framing stud, one fastener has to be installed through the seam between two adjoining building panels to create a smooth transition. wedi requires wedi® Building Panels to be installed in all areas exposed to water and never lower than 6 inches above the highest wall-mounted shower fixture.

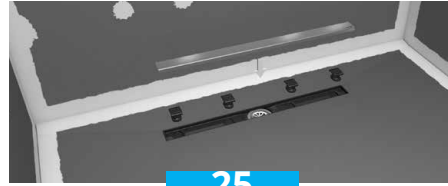
Apply continuous ½ inch beads of sealant between all connections of panels and install with tightly



20

butted seams. Excess sealant must be spread flat with a putty knife. All seams and fastener heads in the assembly are covered with a topical ½ inch bead of sealant and spread flat. The seams should be covered 1 inch on either side of a seam. All fastener/washers are covered with sealant stretching 1 inch over the washer edges.

Installing the wedi Fundo® Linear Drain Cover



25

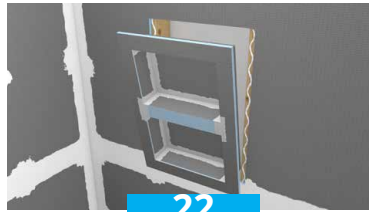
You can now insert the wedi Fundo® Linear Drain Cover. These stainless steel covers are available in different color finishes with durable coatings, or as a natural polished stainless steel, or as a tileable cover. The covers are equipped with supports which are mounted to the cover and will rest in pre-made depressions inside the linear drain channel where they support the cover. Reference the drain cover installation manual for installation of supports, and how to adjust supports and drain covers for height to match the tile surface (adjustment varies between models from ¼ inch low to 1 inch high).

Installing wedi® Shower Upgrades and finishing the entrance



21

wedi® Shower Niches are installed in a cut out in the wedi wall and attached with its flange right into the center of 16 inch o.c. studs. wedi® Joint Sealant is set along the connection of wall to niche.



22

Fasteners are placed every 12 inches on either side of the niche, or a minimum of one fastener on each of the four corners, are set to create a flat transition to wall panels. Another ½ inch bead of wedi® Joint Sealant is spread flat over fasteners and seams.



23

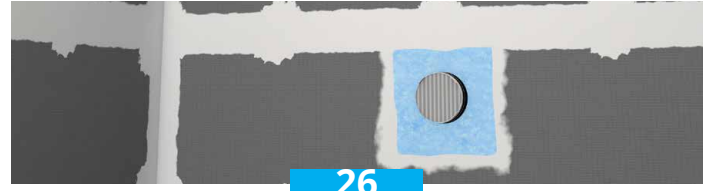
A continuous ½ inch bead of sealant is set into the channel and along the vertical curb notch part. ½ inch beads of wedi® Joint Sealant are equally applied on wall surfaces where the curb attaches. A ¼ inch square notch trowel is used to apply a thinset mortar on the subfloor and on the wedi curb bottom (reference wedi Fundo® installation in thinset mortar). The tightly fitting curb is pressed into the connection area. wedi® Shower Curbs (lean) can be installed by entirely using wedi® Joint Sealant or wedi® S-DRY™ SEAL (replaces thinset attachment to floor). Please note: wedi curb notches are pre-made for channel connections to wedi bases 1½ inch thick at perimeter. When using thicker perimeter bases, please cut the curb notch for a tight dry-fit connection.



24

Weight is applied for a minimum of 30 minutes on and against the curb (from outside) and another ½ inch bead of sealant is applied over all curb seams and spread flat. The seams must be covered 1 inch either side of a seam.

Finishing the wedi Fundo® Linear Shower System



26

For the installation to properly work it is critical to waterproof all penetrations of the wedi product such as shower valves and shower heads using the appropriate sealing gaskets for the application. The wedi® S-DRY™ Mixing Valve Seal and wedi® S-DRY™ Shower Pipe Seal (for ½ in. – ¾ in. shower pipe protrusions) are used for these applications, and are installed using a full bed of wedi® Joint Sealant or wedi® S-DRY™ SEAL for attachment. These sealing measures are required for wedi's waterproofing system warranty. Contact us for alternative waterproofing options if fixtures do not fit wedi standard collars so we can recommend optional best practices under wedi warranty.



27

The wedi Fundo® Linear Shower System is now ready for tiling as soon as the surface applied wedi® Joint Sealant is dry to the touch.

Installing a wedi Fundo® Linear Shower Module



1

Cut out a 5 inch diameter hole around the 2 inch pipe's center to allow for the wedi drain to be inserted into the subfloor while the cut out area must remain free of deflection. Make sure that the cutout fits the Fundo base's drain. Cut the 2 inch waste pipe even and flush with the subfloor surface. The drain waste pipe and P-trap have to be properly affixed to and supported by the subfloor structure.



2

Next, install the wedi® Fundo Click and Seal® Drain Kit drain unit. Drain components are delivered inserted inside the Drain Body. Please take the parts out and use step by step following our manual here.



3

Apply the wedi-provided safe lubricant (silicone base) to the black rubber ring inside the wedi drain body.



4

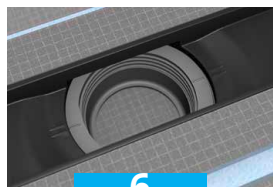
Insert the drain body snugly into the receiving mechanism of the drain unit on the underside of the Fundo base. Apply the wedi-provided safe Lubricant to the black rubber ring inside the wedi drain body.



5

Once inserted, turn the Drain Body clockwise until its plastic flap clicks in position in its final resting position. This will require no more than a quarter turn. If you ever want to remove the drain body from a locked position, use a flat head screwdriver to push the snap mechanism's plastic flap inwards while unscrewing the Drain Body counter-clockwise (left) at the same time. In case it is difficult to hear the click mechanism, you can also verify a safe connection as described under point 6. Be careful not to push the drain body into the base with force as this can damage the integrated drain parts. Ensure the locked in place drain unit is resting flat and level in the base's receiver and is flat and level with the base's cement coating.

On the top side of the drain you can also verify the drain



6

unit has successfully connected when the single hash marks are centered between the double hash marks.



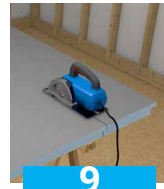
7

Dry-fit the line module to ensure it can be installed to the floor waste pipe (now in the center of the module's wedi® Fundo Click and Seal® Drain Kit) and so it covers the floor area and squares up tightly with the wall framing.



8

Measure the size for the extension module so it can cover the remaining shower floor area and squares up tightly with the wall framing and the line module. Make sure to account for the overlapping notch connection that connects line module with extension module.



9

Cut the extension module to fit. It is recommended to turn the module on its back so you can move the circular saw over a flat surface, ensuring a square cut.



10

Once cut, you want to dry-fit the extension module and then remake the 1/2 in. x 1/2 in. perimeter channel where the base connects to wedi® Building Panels, Curbs, Ramps or Extension. The 1/2 in. x 1/2 in. is a measure taken from the flat bottom edge of the module so the channel will be located 1/2 inch off the subfloor and going 1/2 inch in. This ensures that wall building panels or curbs can be connected with notch connections that are squared up with the notch of the extension module. When viewed from above, the channel will feature a depth that increases with the slope building in one direction. Once all cutting is finished, clean the module and channels from saw dust using a vacuum cleaner.



11

Clean the subfloor with a moist sponge to remove dust and dirt, and apply a skimcoat of a suitable, modified tile adhesive/ thinset (ANSI 118.4 or better), and comb through with a 1/4 in. x 1/4 in. notched trowel. Trowel lines should be applied uniformly and point towards the shortest side of the base area.

Trowel the thinset on the rear side of the Fundo



12

again using a 1/4 in. x 1/4 in. notched trowel. Flat trowel the thinset over the entire product's cement surface, then comb through thinset bed creating channels pointing in same direction as applied on subfloor.



13

Place the linear shower module into the thinset bed and press firmly into resting position and ensuring full coverage of thinset mortar between line module and subfloor leaving no voids. Ensure floor waste pipe is centered within the wedi® Fundo Click and Seal® Drain Kit. Ensure line module is squared up tightly with wall framing and is coming to rest in a level position. Apply some tile boxes/weight to keep the thinset mortar compressed during initial drying. To avoid movement of the base while thinset is fresh you may fix it in position using wood blocks temporarily fixed to the floor against the base on sides not framed in.



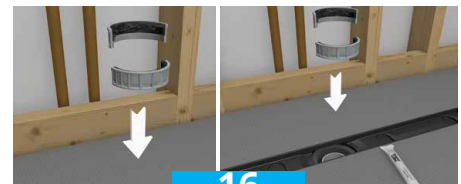
14

Apply wedi-provided safe Lubricant to the rubber sealing gasket and insert the rubber sealing gasket between the wedi Drain Unit's interior and the outside of the 2 inch waste pipe in the floor. Push the rubber sealing gasket down along the waste pipe until it is stopped by the drain unit's lower interior flange.



15

Using a sharp utility knife cut the compression spacer into two halves along the pre-made cut lines/notches. This will allow you to insert both halves through the narrow drain opening. Apply wedi-provided safe Lubricant to the rubber part of the compression spacer halves.



16

Insert the first and then the second half of the compression spacer in between drain unit and waste pipe. They will both rest tightly on top of the Rubber Sealing gasket after they will push it into final resting position. The compression spacer's rubberized part will not always end up flush with the floor waste pipe's edge, which is due to the tolerance we allow for the position of the pipe (between flush with subfloor surface and up to 1/4 inch above subfloor surface). Note: The rubberized part of the compression spacer is not part of the wedi drain's waterproofing design - it is used solely to keep all dirt out of the drain connections.

Installing the wedi Fundo® Line Module



17

Insert the Locking Nut with notched side up into the threaded part of the Drain Unit opening and screw down until locking nut top is flush with top edge of drain unit's threaded part. Important: Turn locking nut LEFT to insert and screw into flush position.



18

Insert strainer key into locking nut at notch connections and with strainer key printed side up. The strainer key is used as a tool to tighten the compression seal of the drain unit, but remains in place later to serve as a hair catcher to protect the drain and make maintenance and cleaning easy.



19

Insert a flat-headed screwdriver into strainer key slit and turn **LEFT** to tighten the compression seal. Achieve a hand-tight fit and do not over-tighten.



20

Clean the subfloor with a moist sponge to remove dust and dirt, and apply a skimcoat of a suitable, modified tile adhesive/ thinset (ANSI 118.4 or better), and comb through with a ¼ in. x ¼ in. notched trowel. Notches should be applied uniformly and point towards the shortest side of the base area.



21

Trowel the thinset on the rear side of the extension module again using a ¼ in. x ¼ in. notched trowel. Flat trowel the thinset over the entire product's cement surface, then comb through thinset bed creating channels pointing in same direction as applied on subfloor.

Clean the connection channel of the line



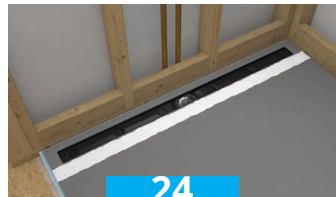
22

module from any thinset or dust and apply a continuous ½ inch bead of wedi® Joint Sealant in the channel along its entire length. Apply another continuous bead of wedi® Joint Sealant along the entire length of vertical part of the extension module's notch (shiplap) connection where it will meet with the vertical foam side of the line module.



23

Place the linear shower extension into the thinsset bed and press firmly into resting position and ensuring full coverage of thinsset mortar between line module and subfloor leaving no voids. Ensure a tight fit is achieved between extension module and line module along the notch connection. Ensure extension module is squared up tightly with wall framing and is coming to rest in a level position (measure inside perimeter channel notch as surface is sloped). Apply some tile boxes/ weight to keep the thinsset mortar compressed during initial drying.



24

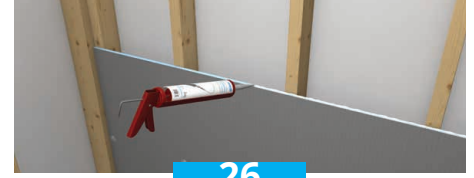
Trowel flat all excess sealant. Another ½ inch bead of wedi® Joint Sealant is applied over and along the connection seam later (to avoid large areas with fresh sealant covered seams during the installation phase).

Installing the wedi® Building Panels



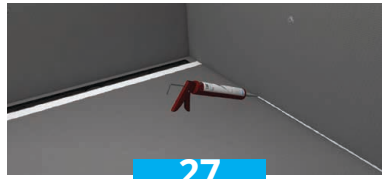
25

Clean the perimeter channels from dust or any other contaminants. Set up a continuous ½ inch bead of wedi® Joint Sealant along the base's channel on the outer perimeter and only in areas where you can immediately install a building panel into the fresh sealant. Push the wedi® Building



26

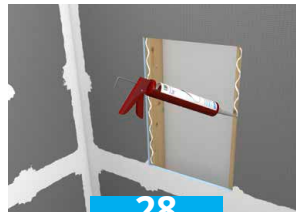
Panel fully into the channel of the shower base, being sure the bead of sealant is fully compressed. Smooth out any pushed out sealant on inside seam using a putty knife. Fasten the panels directly to the studs starting 1 ft. above the base and in corners while keeping the board pushed down into the channel, and set the wedi fasteners with wedi washers at a rate of one fastener per 1 ft. On every framing stud, one fastener has to be installed through the seam between two adjoining building panels to create a smooth transition. wedi requires wedi® Building Panels to be installed in all areas exposed to water and never lower than 6 inches above any shower fixture.



27

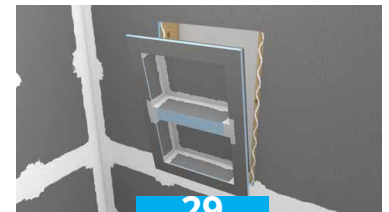
Apply continuous ½ inch beads of sealant between all connections of panels and install with tightly butted seams. Excess sealant must be spread flat with a putty knife. All seams and fastener heads in the assembly are covered with a topical ½ inch bead of sealant and spread flat. The seams should be covered 1 inch on either side of a seam. All fastener / washers are covered with sealant stretching 1 inch over the washer edges.

Installing wedi® Shower Upgrades



28

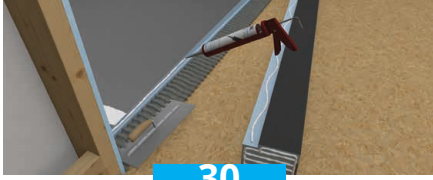
wedi® Shower Niches are installed in a cut out in the wedi wall and attached with its studs. wedi® Joint Sealant ½ inch bead of sealant is set along the connection of wall to niche.



29

Fasteners are placed every 12 inches on either side of the niche, or a minimum of one fastener on each of the four corners, are set to create a flat transition to wall panels. Another ½ inch bead of wedi® Joint Sealant is spread flat over fasteners and seams.

Installing wedi® Shower Upgrades



30

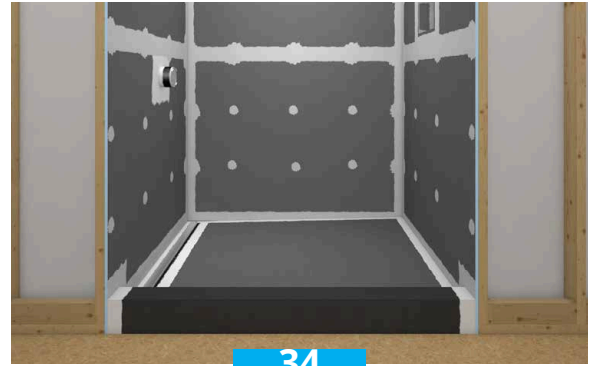
A continuous 1/2 inch bead of sealant is set into the channel and along the vertical curb notch part. 1/2 inch beads of wedi® Joint Sealant are equally applied on wall surfaces where the curb attaches. A 1/4 inch square notch trowel is used to apply a thinset mortar on the subfloor and on the wedi® Shower Curb bottom (reference wedi Fundo® installation in thinset mortar). The tightly-fitting curb is pressed into the connection area. wedi® Shower Curbs (lean) can be installed by entirely using wedi® Joint Sealant (replaces thinset attachment to floor). Please note: wedi® Shower Curb notches are pre-made for channel connections to wedi bases 1 1/2 inch thick at perimeter. When using thicker perimeter bases, please cut the curb notch for a tight dry-fit connection. Weight is applied for a minimum of 30 minutes on and



31

against the curb (from outside) and another 1/2 inch bead of sealant is applied over all curb seams and spread flat. The seams must be covered 1 inch either side of a seam.

Finishing the wedi Fundo® Linear Shower System



34

The wedi Fundo® Linear Shower System is now ready for tiling as soon as the surface applied wedi® Joint Sealant is dry to the touch.

Installing the wedi Fundo® Linear Drain Cover



32

You can now insert the wedi Fundo® Linear Drain Cover. These stainless steel covers are available in different color finishes with durable coatings, or as a natural polished stainless steel, or as a tileable cover. The covers are equipped with supports which are mounted to the cover and will rest in pre-made depressions inside the linear drain channel where they support the cover. Reference the drain cover installation manual for installation of supports, and how to adjust supports and drain covers for height to match the tile surface (adjustment varies between models from 3/16 inch low to 1 inch high).

Finishing the wedi Fundo® Linear Shower System



33

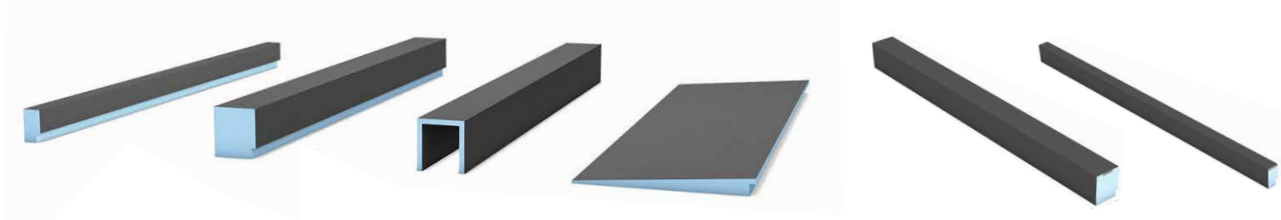
For the installation to properly work it is critical to waterproof all penetrations of the wedi product such as shower valves and shower heads using the appropriate sealing gaskets for the application. The wedi® S-DRY™ Mixing Valve Seal and wedi® S-DRY™ Shower Pipe Seal (for 1/2 in. - 3/4 in. shower pipe protrusions) are used for these applications, and are installed using a full bed of wedi® Joint Sealant wedi® S-DRY™ SEAL for attachment. These sealing measures are required for wedi's waterproofing system warranty. Contact us for alternative waterproofing options if fixtures do not fit wedi standard collars so we can recommend optional best practices under wedi warranty.

Important notes for preparing and completing wedi Fundo® Linear Shower Installation

- Have 2 x 4 blocks installed on base plate between and flush with front of wall framing studs to best support wedi wall panel / shower base transition.
- Subfloor is stable and loadbearing, flat and level, and meets deflection criteria of maximum L/360 as per IRC. Wooden or concrete structural substrates are dry and sufficiently loadbearing considering live and dead load. Wood and Steel framing is sufficiently loadbearing, even, level, and square.
- Floor drain assembly below floor is stabilized, fixed and supported in position, and will not sink under water load. Waste pipe is level and plumb.
- Only wedi products (Building Panels, Curb, Joint Sealant and Fasteners) are used for wedi Fundo® Shower System assembly.
- Ensure that no fasteners are used and penetrate through any horizontal building panel or shower base surfaces in showers and immediate wet room applications. This includes tub decks, pony shower wall tops, curb tops made from building panels and seat tops. wedi panels in such areas are installed in a full surface applied thinset mortar setting bed or using 1/2 inch beads of joint sealant starting 1 inch off a side and applied in continuous lines every 2 inches. Ensure there are at least 2 beads on a contact surfaces between 2 and 4 inches wide.
- Where wedi® Building Panel or curb caps are installed over horizontal surfaces (seats, partial curbs, tubdeck transitions) do not set any fasteners and do not allow the glass door installation to penetrate the wedi panel as it is your waterproofing.
- Make sure that doors are installed tight to contain water inside the shower. Make sure doors are installed to only load bearing reinforced framing. Consider wedi® Shower Curb AT (Anchor Track) when planning to mount glass door/panel fixtures through the curb surface.
- Seams in the assembly, which are not flat transitions or right angle inside corner connections, are treated with these extra steps:
 - 1) Assembly parts are installed tight and offer a minimum of 1/2 inch wide continuous contact/adhesion surface between two parts, inside which wedi® Joint Sealant is continuously applied.
 - 2) Apply 1/2 inch bead of wedi® Joint Sealant over all seams, spread flat over the seam covering it 1 inch wide on both sides of the seam. The joint sealant should be 1/6" thick also where it wraps around an outside corner. Use an alkali resistant mesh tape between two applications of wedi joint sealant as a thickness gauge if needed.
 - 3) wedi® S-DRY™ tape is installed over these seams in a bed of wedi® S-DRY™ SEAL if these seams are exposed to flood testing.

Installing wedi Fundo® Shower Curbs & Ramp

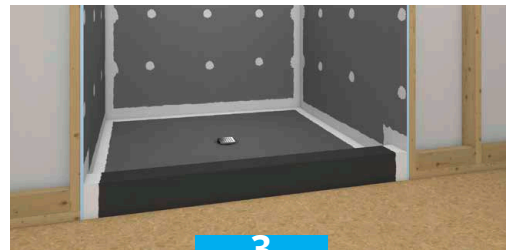
wedi curbs and ramps are available in several options for shower entry designs where transitions are required, and can be installed with wedi Fundo® shower bases as well as conventional mortar bed systems. Waterproof and versatile, wedi curbs and ramps may be tiled before glass doors, panels, or blocks are installed. Epoxy glue is recommended instead of screw fasteners when installing into wedi's solid foam curbs. Optionally, you can also use our wedi® Shower Curb AT (with integrated Anchor Track (AT)) where fastening is required. All wedi curb options except wedi® Curb Caps, which work in combination with 2 x 4 framing support, are slightly sloped to direct water towards the drain of the shower. All wedi curbs can carry a weight of 280 lbs./ft. When using the wedi® Shower Ramp instead of a curb, please note its design is ADA compliant featuring a slope of 1 ½ inch to ¼ inch, and can be installed using the same installation steps.



1



2



3

A continuous ½ inch bead of sealant is set into the channel and along the vertical curb notch part. ½ inch beads of wedi joint sealant are equally applied on wall surfaces where the curb attaches. A ¼ inch square notch trowel is used to apply a thinset mortar on the subfloor and on the wedi curb bottom (reference wedi Fundo installation in thinset mortar). The tightly-fitting curb is pressed into the connection area. wedi Lean Curbs can be installed by entirely using wedi® Joint Sealant (replaces thinset attachment to floor). Please note: wedi curb notches are pre-made for channel connections to wedi bases 1½ inch thick at perimeter. When using thicker perimeter bases, please cut the curb notch for a tight dry-fit connection.

Weight is applied for a minimum of 30 minutes on and

against the curb (from outside) and another ½ inch bead of sealant is applied over all curb seams and spread flat. The seams must be covered 1 inch on either side.

i Several wedi Fundo® Shower Base models naturally feature different perimeter height or thickness at the edge. Therefore, pre-made standard notch connections of wedi curbs must be modified in the field for a tight fit to the bases. Ramps and Extension panels can naturally not fit to all models and might be modified in the field as well. When using curbs with shower bases and/or Fundo extensions that create a one directional slope and build up height towards one side of the shower; you may need to increase the height of the curb to exceed the surface of the shower base as required by applicable plumbing code. Where wedi® Building Panel is installed over corners of a structure showing an angle other than 90°, please miter the board edges to gain adhesion surface.



Tools needed for a wedi Fundo® Linear Shower Installation



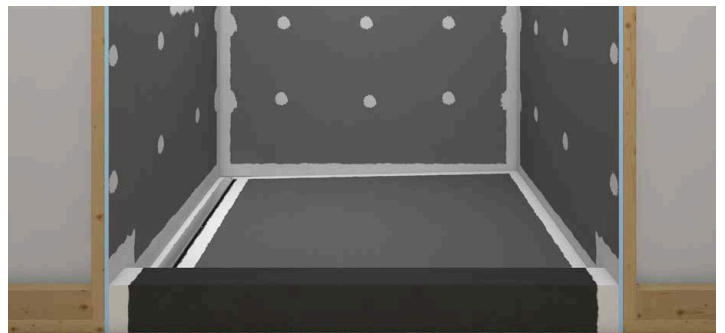
- Inside Pipe Cutter
- Caulk Gun
- Screw gun w. Phillips bit
- Corded thinset mixer with 650 RPM minimum when using wedi® PRO-SET™
- Bucket
- Handsaw
- Circular Saw
- Utility Knife
- Solid Putty Knife
- wedi® Corner Putty Knife
- Flat Head Screwdriver
- Saw Horse
- Level
- Tape Measure
- ¼ in. square Notch Trowel
- Straight Edge / T Square 5ft. (1524 mm) or longer
- Respirator Mask (N95)
- Safety Glasses
- Ear Protection
- Permanent Marker
- Paper Towels
- Scissors
- Shop vacuum cleaner
- Extension Cord for Power-tools

Post-installation check list and tiling

i All fastener points are visibly covered with wedi® Joint Sealant. All protrusions (ie. plumbing fixtures) are sealed into the wedi assembly with wedi gaskets and sealant. All visible joints or seams in the installation are visibly covered and reinforced with wedi® Joint Sealant that is applied flat over the seams. Coverage of wedi® Joint Sealant over all seams should be at least 1 inch on either side of the seam. wedi® Joint Sealant should be no less than 1/16 inch thick to ensure strength. Do not add mesh tape into the wedi® Joint Sealant except when used as a thickness gauge over difficult to seal over outside corners and when in area not subjected to high water exposure. It is recommended to add wedi® S-DRY™ Tape over seams featuring outside corners (e.g. pony wall tops or curb deck transitions). Once wedi® Joint Sealant has been applied over all shower system seams, an optional water flood test may be performed in as little as 2 hours. If wedi® S-DRY™ SEAL and wedi® S-DRY™ Tape was used, wait 6 hours. Please ensure the sealant has cured sufficiently and has formed a skin, is no longer pliable or sticky leaving sealant residue upon touch. wedi® Joint Sealant is a moisture curing product that will react to cure very slow when applied in a location with low relative humidity in the air, and it will overreact and malfunction if exposed to too much water (i.e. flood test) too early. The flood test should not exceed 24 hours, nor should the water level exceed the height of the perimeter seams so that the fresh sealant may continue to a full cure without too much weight added during that process. Be careful not to fill water all the way to the top of the curb where it may work itself through the thinset bed of the curb top finish and escape over the wedi curb surface which may lead you to mistakenly believe the shower is leaking. wedi recommends testing the drain connection for a proper seal. While a full surface flood test is not required for non-absorbing products like wedi, it may be required by a building inspector. When tiling commences, do not use any premixed ("mastic") tile adhesives over wedi® systems in wet-area installations. When tiling the wedi Fundo® Shower Bases, including extensions, tile thickness should generally be no less than 1/8 inch. Be aware that wedi Fundo® drain covers are 3/16 inch thick, so very thin tile must be appropriately supported by a compressed thinset bed to reach an installation height slightly higher than the cover. Plan for a ¼-inch overall tile installation height. Ceramic and stone tile must be installed in accordance with ANSI A108-A118-A136.1, details and requirements established by the Tile Council of North America, and specific manufacturer recommendations. The following recommendations are made specifically for tile installation over wedi products and supersede when in conflict other requirements and limitations. Tiles should have a minimum thickness of 1/8 inch (3 mm) and adequate for the application on a sloped surface in a wet environment. The appropriate trowel size should be selected based on recommendation by manufacturers of mortar and tile and a thinset mortar coverage under the tile of 95% or greater must be achieved. It is recommended to remove factory applied mesh if this can interfere with adhesion transfer of mortar to the back of the tile or substrate. Some tiles should be back buttered.

Tiles with a square size larger than 1 x 1 inches (25.4 mm x 25.4 mm) and with no side 1 inch (25.4 mm) or shorter, may be installed using a modified cement based thinset mortar in accordance with ANSI A118.4 or ANSI A118.15 and a modified cement based grout in accordance with ANSI A 118.7. Tiles with a square size 1 x 1 inches (25.4 mm x 25.4 mm) or shorter may be installed using a combination mortar and grout made from 100% solids epoxy in accordance with ANSI A118.3.

wedi showers that are subject to increased point loads (example: wheelchair, shower chairs) should be tiled with tiles of a square size 2 x 2 inches (50.8 mm x 50.8 mm) or larger, and with no side shorter than 2 inches (50.8 mm), and should be installed using a combination mortar and grout made from 100% solids epoxy in accordance with ANSI A118.3. Pebble tile or river-rock type tiles must be fully supported under all edges with sufficient coverage of thinset mortar. These tiles require a relatively thick bond coat to ensure proper coverage and bond to the shower base. Moisture-sensitive tile and stone, including marble, are best protected when installed using 100% solids epoxy tile adhesive and grout.. Verify with the manufacturer of mesh-mounted tile that the adhesive and mesh used on the back of the tile are suitable for use in wet areas. It is important to achieve full transfer of thinset mortar through the mesh to the back of the tile. A best practice we recommend is to always remove the mesh when setting the tile. Large-format tile may be installed over wedi Fundo® shower bases. Cuts may have to be made in consideration of the base's slope lines to ensure that the tile is fully supported by the adhesive bed and the wedi® Shower Base surface. Refer to TCNA guidelines for the setting material coverage required for tiles installed in wet-room applications such as wedi shower projects (minimum requirement is 95% mortar coverage under the tile). Use only cleaners and sealers that are free of acid or solvents on tile or grout installed over wedi® Products, and apply only the amount needed to treat the surface materials without saturating the substrate. Avoid heat sources when making grout repairs, as they may damage the foam core of the product. Follow the setting-material manufacturer's recommendations, and contact wedi with any questions or regarding applications not covered here.



Shower Wall Products

wedi® Building Panels are made using the latest manufacturing technology and highest-quality material. They are waterproof, lightweight, easy and clean to cut, are incredibly strong, and bond well for use with any thinset mortar application. The wedi® Building Panel can be tiled with ceramic, glass, or stone in all sizes, from mosaic to large format tiles. Large and thin tiles especially benefit from the durability, and the exact, even surface wedi® Building Panels provide.

wedi® Building Panel – Shower Walls/Wet Areas and Floors

wedi® Building Panels can be applied to shower walls and wet areas horizontally or vertically. This allows more flexibility with your wedi panel installation. The panels are fastened quickly and easily in place using wedi screws & washers. The wedi® Building Panel combines a tile backer board and waterproofing into one step, providing a safe system installation. Once the panels are secured and seams and fasteners are sealed with wedi® Joint Sealant, tiling can begin immediately after the sealant is dry to the touch. This saves considerable time and money, when compared to traditional methods. Its solid waterproof core eliminates concerns like pinholes and voids, as well as delamination typically associated with alternative waterproofing products. The wedi® Building Panel has been successfully tested under ANSI 118.18 (American National Standard Specifications for Test Methods and Specifications for Foam Core Backer Boards) as well as ASTM C578 (Standard Specification for Rigid, Cellular Polystyrene Insulation).



wedi® Building Panels are proudly produced in the U.S.A..

wedi® Vapor 85

wedi® Vapor 85 is a tile backer board specifically made for use in steam showers/rooms. Its design is based on the wedi® Building Panel, featuring added vaporproofing capability that works for all water vapor exposure levels, including continuous use and commercial steam rooms. Once installed directly to the wall or ceiling framing studs, it is ready for tiling. When needed, it cuts easily and cleanly using a utility knife. The wedi® Vapor 85 panels are installed using wedi® Sealant 620, continuously applied in between panels. All panel seams and wedi fastener points are then treated with sealing tape or fastener patches and sealant 620 to ensure water and vapor-tight performance for the entire steam room. wedi® Vapor 85 has been successfully tested under ANSI 118.18 (American National Standard Specifications for Test Methods and Specifications for Foam Core Backer Boards).

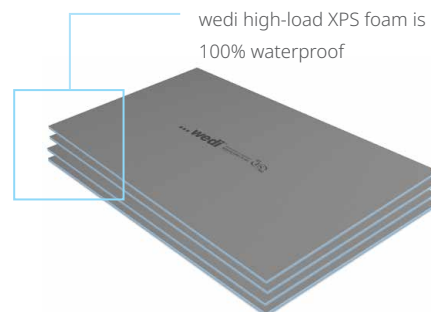


wedi® Vapor 85 panels are proudly produced in the U.S.A..

The technical main differences built into the original wedi® Building Panel, in comparison with many other foam core building panels like wedi® Builder Choice include: higher foam density, thicker and more highly modified cement coating for maximum universal bond strength to thinset mortars, and a woven mesh giving this panel very high bending and breaking strength. wedi® Building Panel is for you if you want to use the best quality and performance foam core backer board.

wedi® Building Panel Applications – The Ultimate Tile Backer Board

The wedi® Building Panel is a high-performance tile backer board that works on its own or within a shower system. wedi® Building Panels have a blue core made from extruded polystyrene: high-load rigid foam. The foam core is formed by a closed-cell matrix making the wedi® Building Panel internally waterproof, mold-proof, and insulating. Both sides of the wedi® Building Panel are covered with a specialized fiberglass mesh fully embedded in a cement resin coating that transfers fully through to the foam core. The specific combination of mesh and coating adds high tile backing strength capability and controls moisture absorption and spread on the surface, which is essential to maintain effective topical seals over assembly seams. The mesh reinforces the wedi® Building Panel and also provides a waffle pattern structure that thinset mortar can lock into. At the same time, the mesh and coating provide a flat, even surface ideal for tile. The high quality of raw materials, how they interact, and the manufacturing process wedi has developed and automated over the last 40 years produces a premium tile backer board like no other. The wedi® Building Panel installation steps and techniques are shown in great detail within our shower system installation manuals in this handbook. In addition, you can find more information about unique installations with wedi® Building Panels on www.wedicorp.com. We cover applications such as tub surrounds, general floors, floors with heating systems, countertops, and kitchen backsplashes, and building custom seats and benches on our website. When comparing wedi® Building Panel to traditional cement board plus liquid waterproofing, the value is clear:



- wedi offers single-product installation versus multiple products and steps.
- wedi offers one comprehensive warranty versus multiple manufacturer and labor warranties.
- wedi dramatically reduces installation and labor time, curing times, and overall physical effort and mess.

wedi® Building Panel in Tub and Shower Surrounds

wedi® Building Panels are an integral system component in wedi Fundo® Shower System assemblies. wedi® Building Panels are also ideal for use as a tile backer board when installed over framed or solid wall structures, where it provides a waterproof and tileable wall surround in combination with a pre-made tub or shower base unit. wedi® Building Panels can offer special benefits in these installations. wedi® Building Panels can be installed directly to the edge of the tub unit with just a bead of wedi® Joint Sealant in between.

What's more, wedi® Building Panels can be notched out at the bottom back side to install over a nailing flange on one or more sides of the tub unit. With wedi® Building Panels, you can create plumb and square transitions from a wall backer board to a tub, especially in corners. The wedi® Building Panel does not wick up water traversing the tub edge, and it backs your wall tile right down to the edge of the tub. Besides these special options, the installation follows the same process as in wedi Fundo® shower system wall assemblies.

When installing wedi® Building Panel to tubs without the nailing flange, please use wedi tub sealing tape to waterproof and secure the transition seam at its backside.



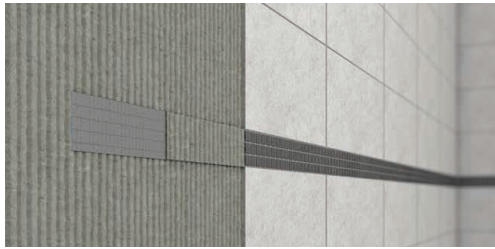
wedi® Building Panels and Safety/Grab Bars

When installing safety or grab bars through tile and wedi® Building Panel, please ensure to securely anchor these bars directly into framing studs or blocking placed prior to installing the Building Panels and tile.

Fasteners used for grab bars need to have appropriate length, diameter, material and breaking strength. Tile must be installed with sufficient coverage of thinset mortar so the tile is properly supported enough to withstand high force pushing against or down on it when grab bars are being used. More information regarding acceptable grab bar installation requirements can be found in standard ASTM F-446-19 (Standard Consumer Safety Specification for Grab Bars and Accessories Installed in the Bathing Area).



wedi® 1/8 inch Building Panels under mosaic strips



wedi's 1/8 inch Building Panel can be used to perfectly install mosaic accent strips into a large-format wall tile assembly. This helps avoid excessive mortar build-up and leveling when trying to evenly align the field tile with the thinner mosaic tile strip. The strips of wedi® Building Panel could even be pre-tiled in the shop and simply adhered into the wall assembly on-site using thinset mortar applied to the back of the strip only.

This type of building panel can be used in the following applications (and more):

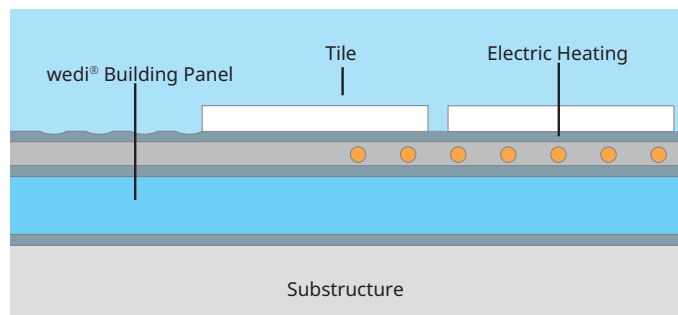
- On floors, with or without floor warming systems.
- On tub decks.
- On countertops and backsplashes.
- On seat and bench structures, even built completely from wedi® Building Panels.

Electric Floor Warming Systems using wedi® Building Panels - Installation Steps

The wedi® Building Panels save time and money while conserving energy when used in conjunction with any common electric floor heating system. The extruded polystyrene foam core construction makes the system 100% waterproof and the perfect heat insulator and thermal barrier. wedi® Building Panels are equipped with a cement resin surface that is reinforced with a fiberglass mesh and provides an ideal bond to any common tile adhesive or self-leveling product which may be needed to integrate an electric cable or mat system.

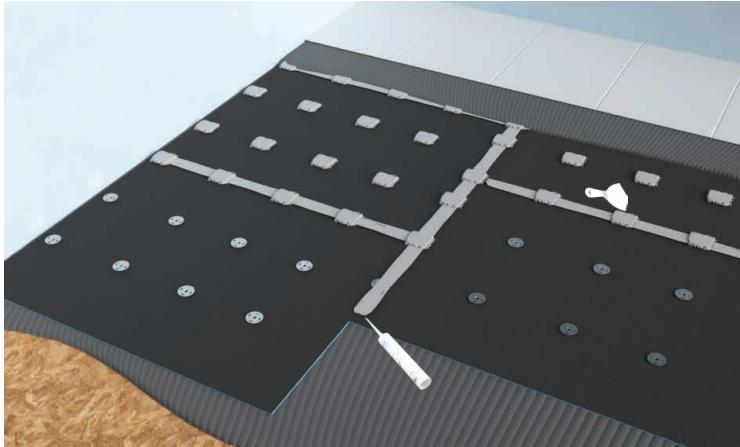
i Note on electric floor warming systems.

Electric floor heating systems can be installed as per manufacturer instructions onto an already installed wedi product system or underlayment surfaces and reinforced elements (e.g. wedi® Building Panels, Fundo floor elements, Sanoasa benches, Sanoasa loungers). In this instance, only products approved for such individual application and areas such as i.e. wet rooms should be used.

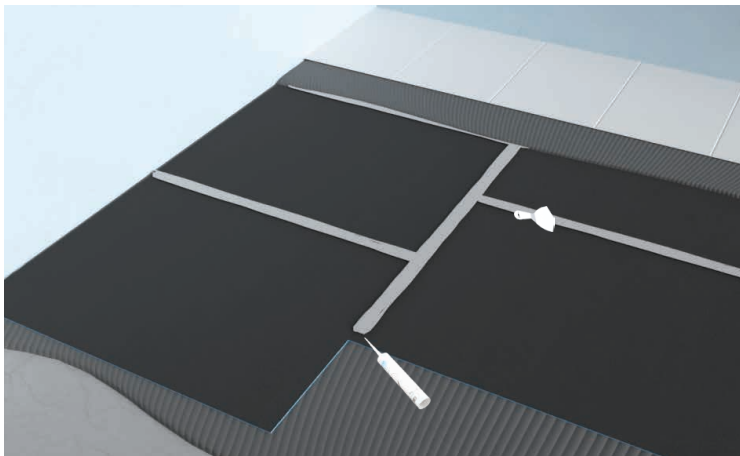


Electric under floor heating systems are easy to mount on the wedi® Building Panel and downward heat loss is prevented making the heating system noticeably more effective.

wedi® Building Panel Over Wooden and Concrete Subfloors - Installation Steps



wedi® Building Panel shown being installed over a wooden subfloor.

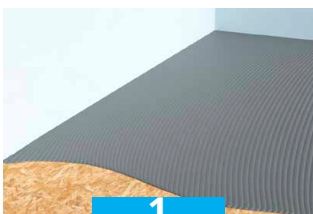


wedi® Building Panel shown being installed over concrete subfloor.

All wedi® Building Panel sizes and thicknesses can be used as tile underlayments over wood or concrete subfloors. When installed over concrete, wedi Building Panels function as a crack-bridging underlayment, as movement stresses are not likely to transfer through the polystyrene core.

A modified thinset (such as wedi® PRO-SET™) is applied over a level, even, clean and loadbearing floor using a 1/4 inch notch trowel. The wedi® Building Panels are then laid into the mortar. All joints should be staggered so that no seam continues throughout the length of the floor. A modified thinset is applied over a level, even, clean and loadbearing floor using a 1/4 inch notch trowel.

No screws and washers are used over concrete, but the remaining installation steps are the same. All seams should be covered with wedi alkali resistant mesh tape in dry areas or with wedi® Sealing Tape or wedi® Joint Sealant in wet areas. Fastener points are waterproofed using wedi® Joint Sealant before tiling begins once the thinset mortar has set up below the wedi® Building Panels. Use weights over wedi® Building Panels and across panel transitions to ensure full bond and smooth transitions.



1



2



3

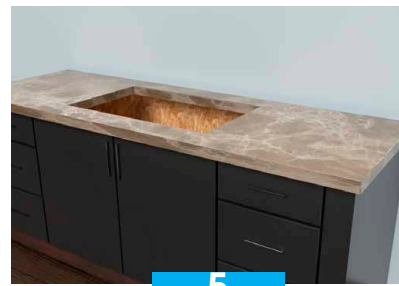
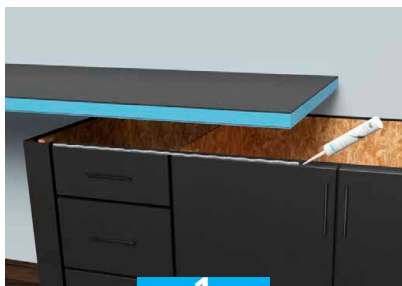


4

wedi® Building Panel for Countertops and Backsplashes



The wide variety of sizes and thickness ranges with wedi® Building Panels are ideal for several applications in kitchens: Behind backsplashes over framing or solid surface, on countertops over cabinets and eliminating the customary plywood sheet. The flatness and rigidity of the wedi Panel surface make installation of special tiles much better and safer: with thin and/ or large tile, mosaics, natural stone slabs or composite materials like quartz. Especially when high rise building projects allow for repeating installation formats, the lightweight wedi Panels can often be pre-tiled and installed on the job in one step. The range of Building Panels used here is from panels as thin as 1/8 inch to 1 1/2 inch or 2 inch.



wedi® S-DRY™ Membrane on Walls and Floors

wedi® S-DRY™ Membrane can be used on shower walls and floors and to create a waterproof and mold-resistant transition from the shower area to the rest of the bathroom. Seams can be taped or overlapped and actively waterproofed and bonded with wedi® S-DRY™ SEAL.

wedi® S-DRY™ Membrane on walls:



1

Apply wedi® PRO-SET™ mortar first by using the flat side of the trowel to key in the mortar to the substrate. Then use the notched side of the trowel to apply mortar to the substrate using a 1/4" x 3/16" (6 x 5 mm) V-notched or 1/8" x 1/8" (3 x 3 mm) square notched trowel.

(Note the open time of the mortar).



2

Press wedi® S-DRY™ membrane, print side out, fully into the bond coat.



3

Work the wedi® S-DRY™ membrane into the mortar by applying pressure to the membrane with the flat side of a wood, rubber or plastic float in smooth, diagonal sweeps.

Air bubbles must be avoided. Apply pressure to smooth out thinset ridges, leaving a consistent layer of thinset for coverage and support purposes.

wedi® S-DRY™ Membrane on floors:



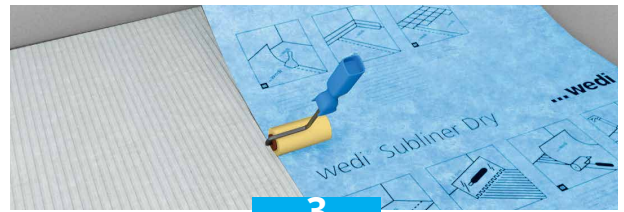
1

Lay out wedi® S-DRY™ and cut to size using a knife or scissors.



2

Apply wedi® PRO-SET™ or another appropriate thinset mortar to the thinset mortar to the prepared subfloor using a 1/8 inch x 1/8 inch notch trowel.



3

Insert wedi® S-DRY™ with the printed side facing upward and press on with a wood, rubber or plastic float or paint roller. Remove air pockets and other foreign particles from below the sheets.



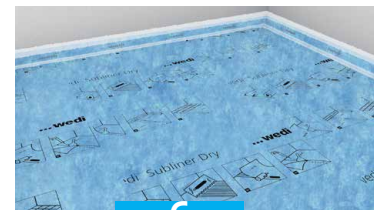
4

The sheets must overlap 2 inches at joints and transitions. Leave these overlapping areas free of any thinset and use tape to keep them folded upward and clean. Once the thinset has cured, apply wedi® S-DRY™ SEAL as a full bed onto the lower mats seam connection area and press the top overlap flat into the wedi® S-DRY™ SEAL. If you cannot clearly see the wedi® S-DRY™ SEAL spread past the overlap, a second bead should be applied on the seam, flattened to a minimum of 1 inch past each side of the seam.



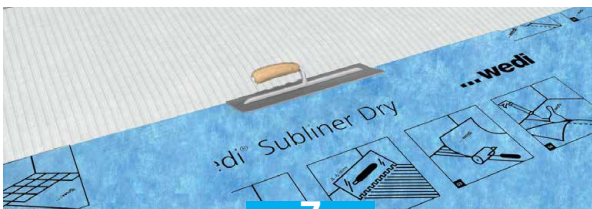
5

Spread the wedi® S-DRY™ SEAL flat using a trowel or putty knife. Cross joints should be avoided.



6

In complete wet rooms, wedi recommends to flash S-DRY™ up the wall by 2 inches where it is still invisible behind baseboard tile or wood applications.



7

Start setting tile once wedi® S-DRY™ SEAL and thinset have been allowed to cure or 6 hours when using wedi® PRO-SET™ thinset mortar or longer if required by thinset brand manufacturer. Exposure to water is possible after 6 hours cure time when using wedi® PRO-SET™ or longer if required by thinset manufacturer.

Installation Accessories



wedi® Fastener Kits

In wedi system assemblies, every part, detail, and component is designed to offer no weak links, and to interact with all other assembly components in a predictable manner. The thick gauge of our washers guarantee that the wedi® Building Panels remain attached to the framing while withstanding the added weight of tile. The gauge of our screws and washers ensures that the wedi® Building Panel remains firmly attached to the framing even with heavy tile or stone adhered to it. The wedi washers absorb and distribute much of the weight of the tile installation and keep it away from the wedi screws. The gauge, length, and design of wedi screws also ensure they do not easily break under load or when framing moves. For metal framing heavier than 20 gauge, we offer self-tapping screws.



In the average wedi shower installation you will need one fastener (tab washer with screw) per square foot of wall area to be covered with wedi® Building Panel. On a shower ceiling you will need to double that amount.

In a floor installation over a wooden subfloor you will need one fastener (flat washer with screw) per square foot of floor surface covered with wedi® Building Panel.



wedi® Joint Sealant

wedi® Joint Sealant is a product designed by wedi to meet our shower system performance needs. wedi® Joint Sealant is a flexible sealant and construction adhesive that creates strong connections between wedi assembly parts without additional tape reinforcement—used for standard wedi shower installations with the wedi Fundo® Shower Base, wedi Fundo® Curbless Shower Base, and wedi Fundo® Linear Shower Base.

wedi® Joint Sealant is indispensable in regular wedi shower assemblies to adhere, seal and reinforce seams and connections, and waterproof fastener points. No additional taping is needed! wedi® Joint Sealant is a single component Silyl Modified Polymer (SMP) for use in wedi product system installations as specified in installation manuals. The product is specially-formulated for high green strength (high immediate internal strength), adhesion in wet and alkaline environments, and permanent flexibility. The product forms strong connections between wedi components and provides watertight seals on and in joints and seams, and allows for dissipation of stress caused by shock, vibration, or thermal movement. It is used to waterproof, connect, and reinforce seams or fastener points. For an average wedi shower installation, you'll need to plan for approximately 1.2 oz. per square foot of wall panel surface in your shower.



i Did you know? Many common sealants and caulks are not suitable for installation in environments where they are exposed to wet thinset mortars behind tiles and will deteriorate over a span of few years. Wet thinsets chemically react with substrates and sealants applied to them can degrade and lose bond strength. wedi's sealants are specifically engineered and modified to offer lasting performance and are protected in the specific environment.

wedi® Sealant 620

wedi® Sealant 620 is based on the same basic design as the wedi® Joint Sealant but is modified to perform best in steam showers due to its vapor resistant fit with wedi® Subliner Dry surfaces. wedi® Sealant 620 is a flexible sealant offering vapor-tight performance. Darker in color and thinner in viscosity than wedi® Joint Sealant, wedi® Sealant 620 sinks deeply into fabric membranes. It is used with a wedi sealing tape to create strong connections in Subliner Dry assemblies and can be used in steam shower installations. wedi® Subliner Dry products are installed using the wedi® Sealant 620 between assembly components, and to waterproof and affix wedi® Subliner Dry sealing tape over seams and fastener points. For use with all wedi® Subliner Dry products (includes wedi inside/outside corner sealing tape, wedi waterproof sealing tape, and wedi® Subliner Dry mats for seams and overlaps). **Note:** Thinset mortar is also used in the installation of wedi® Subliner Dry. See installation instructions for more information.



wedi® Sealant 620, unlike wedi® Joint Sealant, is not a standalone construction adhesive. Where wedi® Sealant 620 is used to adhere, connect, and seal assembly parts, it needs to be used in combination with wedi® Subliner Dry sealing tape reinforcing all seams and joints. In a wedi® Sealant 620 installation project with wedi® Subliner Dry waterproofing membrane you need one 2.5 oz per every one linear foot of wedi sealing tape or Subliner Dry overlap seam coverage in a Subliner Dry assembly.

i Despite containing no solvents, sealants do emit a chemical smell during the initial application and curing time. Some persons may be sensitive towards the smell and ventilation is recommended. Please consult wedi's Safety Data Sheet available on wedicorp.com.

wedi® S-DRY™ SEAL

wedi® S-DRY™ SEAL is a two-component cement based waterproofing system for use with wedi® S-DRY™ products in wet area applications. It is developed for waterproofing and bonding wedi® S-DRY™ shower system membrane overlaps, transitions, seam tape and for connections to wedi® S-DRY™ bonding flange drains. It dries to a waterproof film that allows the still-fresh thinset under wedi® S-DRY™ sheet membranes to hydrate out. wedi® S-DRY™ shower installations are readily waterproofed and sufficiently cured to accept a flood test on the same day 6 hours after application of wedi® S-DRY™ SEAL. It meets and exceeds ANSI A118.10 (Waterproofing) and ANSI A118.12 (Crack Isolation), and is solvent free!



Instructions: wedi® S-DRY™ SEAL liquid is mixed with wedi® S-DRY™ SEAL powder using a measuring cup to create the wedi® S-DRY™ SEAL Compound using a 1:1 ratio in liquid ounces. Mix 1 bag of powder with half the bottle of liquid. For further installation instructions, as well as technical data and warranty information, please refer to the wedi® S-DRY™ SEAL Technical Data Sheet.

wedi® PRO-SET™

wedi® PRO-SET™ is a modified tile adhesive optimized for adhesion with wedi® brand product surfaces in interior, wet area applications. It is developed for use with wedi® S-DRY™ shower systems and over wedi Fundo® and wedi® Building Panel cementitious surfaces. It is optimized for securing large and heavy porcelain and natural stone tile installed using up to 3/4 inch square notch trowels. Its optimized non-sag properties for clean and efficient work flow. With a creamy and smooth consistency for great haptics and workability and 3-hour pot life, it meets or exceeds ANSI A118.4, ANSI A118.11, and ANSI A118.15



Instructions: For mixing instructions, application data and more, please refer to the wedi PRO-SET Technical Data Sheet.

Shower Finishing Details

wedi Fundo® Point Drain Covers

All wedi Fundo® Point Drain Covers are made from solid, durable American-made stainless steel with high quality finishes that resist physical and chemical exposure challenges commonly found in wet rooms installations. For a more custom look, you can choose a tileable drain cover that can be tiled with epoxy glue/adhesive or wedi® Joint Sealant.

Point drain covers fit with both wedi Fundo® Shower Bases and wedi Fundo® Curbless Shower Bases, and can be used with wedi® S-DRY™ Shower Systems in combination with the wedi® S-DRY™ Fundo Drain Cover Support kit.



wedi Fundo® Drain Cover SS
 Drain type: point
 Metal type: stainless steel 304
 Coating: no coating
 Finish type: brushed
 Size: 3 ¾ x 3 ¾ x ¼ in.



wedi Fundo® Drain Cover CSL
 Drain type: point
 Metal type: stainless steel 304
 Coating: chrome
 Finish type: lightly brushed/buffed
 Size: 3 ¾ x 3 ¾ x ¼ in.



wedi Fundo® Drain Cover C
 Drain type: point
 Metal type: stainless steel 304
 Coating: chrome
 Finish type: lightly brushed/buffed
 Size: 3 ¾ x 3 ¾ x ¼ in.



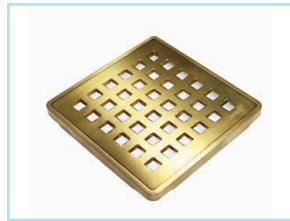
wedi Fundo® Drain Cover MB
 Drain type: point
 Metal type: stainless steel 304
 Coating: chrome
 Finish type: lightly brushed/buffed
 Size: 3 ¾ x 3 ¾ x ¼ in.



wedi Fundo® Drain Cover ORB
 Drain type: point
 Metal type: stainless steel 304
 Coating: oil rubbed bronze
 Finish type: lightly brushed/buffed
 Size: 3 ¾ x 3 ¾ x ¼ in.



wedi Fundo® Drain Cover G
 Drain type: point
 Metal type: stainless steel 304
 Coating: gold
 Finish type: lightly brushed/buffed
 Size: 3 ¾ x 3 ¾ x ¼ in.



wedi Fundo® Drain Cover B
 Drain type: point
 Metal type: stainless steel 304
 Coating: brass
 Finish type: lightly brushed/buffed
 Size: 3 ¾ x 3 ¾ x ¼ in.



wedi Fundo® Drain Cover WHT
 Drain type: point
 Metal type: stainless steel 304
 Coating: white
 Finish type: lightly brushed/buffed
 Size: 3 ¾ x 3 ¾ x ¼ in.



wedi Fundo® Drain Cover CHA
 Drain type: point
 Metal type: stainless steel 304
 Coating: champagne
 Finish type: lightly brushed/buffed
 Size: 3 ¾ x 3 ¾ x ¼ in.

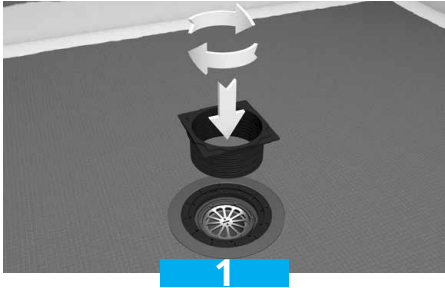


wedi Fundo® Drain Cover T14
 Drain type: point
 Metal type: stainless steel 304
 Coating: no coating
 Finish type: brushed
 Size: 3 ¾ x 3 ¾ x ¼ in.



wedi Fundo® Drain Cover T38
 Drain type: point
 Metal type: stainless steel 304
 Coating: no coating
 Finish type: brushed
 Size: 3 ¾ x 3 ¾ x ⅜ in.

Installing a wedi Fundo® Drain Cover



For the perfect fit with your tile, it is recommended to use the wedi® Drain Cover Height Extension Kit, which is included with wedi Fundo® Shower Bases and Shower Kits. Insert the drain cover extension into the threaded part of the alignment ring. Dry-fit the drain cover extension for the needed final height. The drain cover extension only works for wedi's finished surface drain covers, but not with wedi's tileable covers due to their special water drainage design. wedi's tileable covers are made to work with defined tile thicknesses and can be inserted into the alignment ring 1 and snap ring 2 assembly directly.



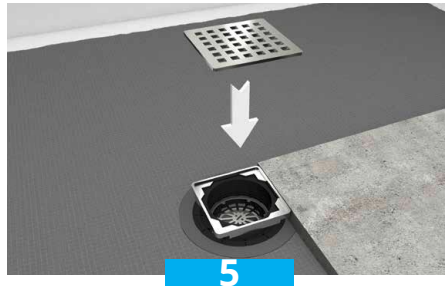
Dry-fit a tile for the shower base right next to the extended drain cover unit and determine to what height the drain cover extension needs to be cut down resulting in a flush transition to adjacent tile (or drain cover top slightly below top of tile). Account for the thickness of the (compressed) thinset mortar used to install the tile. Using a ruler or measuring tape if necessary, match this measurement along the side of the drain extension piece.



The drain cover extension can be cut to height/length at its threaded part using a fine tooth saw for a fast, clean and safe process. Make a cut within one groove between threads at the height you measured in the previous step. Please note, the threaded connection also allows for some adjustment after cuts are made. The drain cover extension must be used to provide proper support to the wedi drain cover. Connect the extension to the alignment ring by rotating the extensions (male threads) into the alignment rings (female threads) one full rotation. The extension can be used to increase the height of the drain cover by 1 ¼ inch. If no height adjustment or increase in height is needed for the drain cover, please cut the drain cover extension shorter at the cutting groove closest to the squared top. This will leave enough of the tightly threaded part needed to connect into the drain opening or Alignment Ring. This will allow you to let the wedi drain cover rest flat over the drain opening once assembled (see next steps).



The drain cover unit can now be moved laterally $\frac{3}{16}$ inch in either direction, and can be aligned with the tile regardless of how much height was added.



Place the drain cover unit into the drain cover extension where it fits into a tight seat. The cover is now vertically adjustable and can also move horizontally to fit the tile layout.

wedi® S-DRY™ Point Drain Covers

All wedi® S-DRY™ Point Drain Covers are made from American-made stainless steel with quality finishes that resist physical and chemical exposure challenges commonly found in wet rooms installations. For a more custom look, you can choose a tileable drain cover that can be tiled with epoxy glue/adhesive or wedi® Joint Sealant.

Point drain covers fit with wedi® S-DRY™ Shower Systems.



wedi® S-DRY™ DCSS

Drain type: point
 Metal type: stainless steel 304
 Coating: no coating
 Finish type: brushed
 Size:
 3 ¾ x 3 ¾ x 3/16 in.



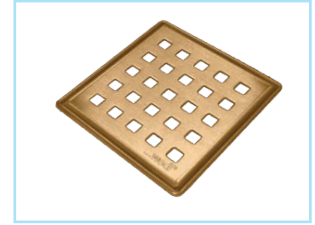
wedi® S-DRY™ DCC

Drain type: point
 Metal type: stainless steel 304
 Coating: chrome
 Finish type: lightly brushed/buffed
 Size:
 3 ¾ x 3 ¾ x 3/16 in.



wedi® S-DRY™ DCT

Drain type: point
 Metal type: stainless steel 304
 Coating: no coating
 Finish type: lightly brushed/buffed
 Size:
 3 ¾ x 3 ¾ x 1/4 in.



wedi® S-DRY™ DCB

Drain type: point
 Metal type: stainless steel 304
 Coating: brass
 Finish type: lightly brushed/buffed
 Size:
 3 ¾ x 3 ¾ x 3/16 in.



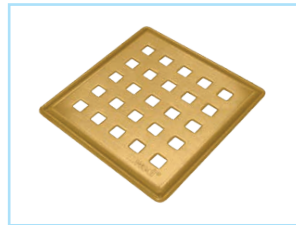
wedi® S-DRY™ DCORB

Drain type: point
 Metal type: stainless steel 304
 Coating: oil rubbed bronze
 Finish type: lightly brushed/buffed
 Size:
 3 ¾ x 3 ¾ x 3/16 in.



wedi® S-DRY™ DCMB

Drain type: point
 Metal type: stainless steel 304
 Coating: matte black
 Finish type: lightly brushed/buffed
 Size:
 3 ¾ x 3 ¾ x 3/16 in.



wedi® S-DRY™ DCG

Drain type: point
 Metal type: stainless steel 304
 Coating: gold
 Finish type: lightly brushed/buffed
 Size:
 3 ¾ x 3 ¾ x 3/16 in.



wedi® S-DRY™ DCSS
 Commercial

Drain type: point
 Metal type: stainless steel 304
 Coating: no coating
 Finish type: lightly brushed/buffed
 Size:
 3 ¾ x 3 ¾ x 1/4 in.

Installing a wedi® S-DRY™ Drain Cover



1

Once tiling commences, insert the Alignment Ring, with threaded insert facing up, into the drain area with the notch on the ring aligned with the arrow on the drain hub.



2

Next, insert the snap ring by aligning the arrow on the top with the arrow on the drain hub and inserting the tab into the slot on the drain hub. With slight pressure applied to the Snap Ring, the remainder of the 3 tabs will snap into place, locking the alignment ring in place while allowing it to move laterally.



3A

Next, thread the Height Adjustment Collar into the Alignment Ring. Be sure to engage a minimum of one complete turn. The drain cover is then set on top of the Height Adjustment Collar.



3B



4A

To determine the finish height of the drain cover you may need to cut the height adjustment collar. Use a piece of cardboard or similar under your shower floor tile to mimic the thickness of your compressed thinset bed.



4B

Place this next to the cover and measure from the top of your tile to the top of the drain cover.



5

Remove the cover and the Height Adjustment Collar. Measuring from the bottom (threaded end) of the Height Adjustment Collar, cut off the amount equal to the measurement from step 28 using a fine tooth hand saw or multitool.



6

Sand any remaining tabs flat on the Height Adjustment Collar. Re-thread into the Alignment Ring to achieve the desired height to flush out with finished tile height.

Be sure this is done prior to finished installation of tile as you will not be able to turn the drain cover once tile is installed in the area around the drain cover.

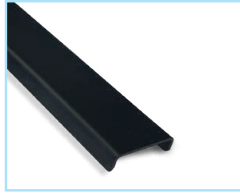
wedi Fundo® Linear Drain Covers

All wedi linear drain covers are made from solid, durable American-made stainless steel with high quality finishes that resist physical and chemical exposure challenges commonly found in wet rooms installations. For a more custom look, you can choose a tileable drain cover that can be tiled with epoxy glue/adhesive or wedi® Joint Sealant. Linear drain covers fit with wedi Fundo® Linear Shower Bases or wedi Fundo® Linear Shower Modules. All linear drain covers are offered in 4 sizes to fit with the 4 different sizes of linear drain channels.



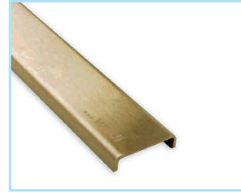
wedi Fundo® Linear Drain Cover
SS27, SS31, SS35 or SS43

Drain type: linear
Metal type: stainless steel 304
Coating: no coating
Finish type: brushed
Size:
27 $1\frac{1}{64} \times 1\frac{49}{64} \times \frac{33}{64}$ in.
31 $\frac{7}{64} \times 1\frac{49}{64} \times \frac{33}{64}$ in.
35 $\frac{3}{64} \times 1\frac{49}{64} \times \frac{33}{64}$ in.
42 $\frac{29}{32} \times 1\frac{49}{64} \times \frac{33}{64}$ in.



wedi Fundo® Linear Drain Cover
MB27, MB31, MB35 or MB43

Drain type: linear
Metal type: stainless steel 304
Coating: matte black
Finish type: lightly brushed/buffed
Size:
27 $1\frac{1}{64} \times 1\frac{49}{64} \times \frac{33}{64}$ in.
31 $\frac{7}{64} \times 1\frac{49}{64} \times \frac{33}{64}$ in.
35 $\frac{3}{64} \times 1\frac{49}{64} \times \frac{33}{64}$ in.
42 $\frac{29}{32} \times 1\frac{49}{64} \times \frac{33}{64}$ in.



wedi Fundo® Linear Drain Cover
B27, B31, B35 or B43

Drain type: linear
Metal type: stainless steel 304
Coating: brass
Finish type: lightly brushed/buffed
Size:
27 $1\frac{1}{64} \times 1\frac{49}{64} \times \frac{33}{64}$ in.
31 $\frac{7}{64} \times 1\frac{49}{64} \times \frac{33}{64}$ in.
35 $\frac{3}{64} \times 1\frac{49}{64} \times \frac{33}{64}$ in.
42 $\frac{29}{32} \times 1\frac{49}{64} \times \frac{33}{64}$ in.



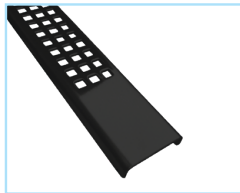
wedi Fundo® Linear Drain Cover
C27, C31, C35 or C43

Drain type: linear
Metal type: stainless steel 304
Coating: chrome
Finish type: brushed
Size:
27 $1\frac{1}{64} \times 1\frac{49}{64} \times \frac{33}{64}$ in.
31 $\frac{7}{64} \times 1\frac{49}{64} \times \frac{33}{64}$ in.
35 $\frac{3}{64} \times 1\frac{49}{64} \times \frac{33}{64}$ in.
42 $\frac{29}{32} \times 1\frac{49}{64} \times \frac{33}{64}$ in.



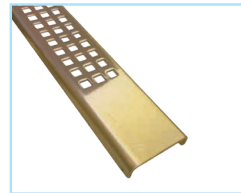
wedi Fundo® Linear Drain Cover
SSP27, SSP31, SSP35 or SSP43

Drain type: linear, perforated
Metal type: stainless steel 304
Coating: no coating
Finish type: brushed
Size:
27 $1\frac{1}{64} \times 1\frac{49}{64} \times \frac{33}{64}$ in.
31 $\frac{7}{64} \times 1\frac{49}{64} \times \frac{33}{64}$ in.
35 $\frac{3}{64} \times 1\frac{49}{64} \times \frac{33}{64}$ in.
42 $\frac{29}{32} \times 1\frac{49}{64} \times \frac{33}{64}$ in.



wedi Fundo® Linear Drain Cover
MBP27, MBP31, MBP35 or MBP43

Drain type: linear, perforated
Metal type: stainless steel 304
Coating: matte black
Finish type: lightly brushed/buffed
Size:
27 $1\frac{1}{64} \times 1\frac{49}{64} \times \frac{33}{64}$ in.
31 $\frac{7}{64} \times 1\frac{49}{64} \times \frac{33}{64}$ in.
35 $\frac{3}{64} \times 1\frac{49}{64} \times \frac{33}{64}$ in.
42 $\frac{29}{32} \times 1\frac{49}{64} \times \frac{33}{64}$ in.



wedi Fundo® Linear Drain Cover
BP27, BP31, BP35 or BP43

Drain type: linear, perforated
Metal type: stainless steel 304
Coating: brass
Finish type: lightly brushed/buffed
Size:
27 $1\frac{1}{64} \times 1\frac{49}{64} \times \frac{33}{64}$ in.
31 $\frac{7}{64} \times 1\frac{49}{64} \times \frac{33}{64}$ in.
35 $\frac{3}{64} \times 1\frac{49}{64} \times \frac{33}{64}$ in.
42 $\frac{29}{32} \times 1\frac{49}{64} \times \frac{33}{64}$ in.



wedi Fundo® Linear Drain Cover
CP27, CP31, CP35 or CP43

Drain type: linear, perforated
Metal type: stainless steel 304
Coating: chrome
Finish type: lightly brushed/buffed
Size:
27 $1\frac{1}{64} \times 1\frac{49}{64} \times \frac{33}{64}$ in.
31 $\frac{7}{64} \times 1\frac{49}{64} \times \frac{33}{64}$ in.
35 $\frac{3}{64} \times 1\frac{49}{64} \times \frac{33}{64}$ in.
42 $\frac{29}{32} \times 1\frac{49}{64} \times \frac{33}{64}$ in.



wedi Fundo® Linear Drain Cover
T27, T31, T35 or T43

Drain type: linear
Metal type: stainless steel 304
Coating: no coating
Finish type: brushed
Size:
27 $1\frac{1}{64} \times 1\frac{49}{64} \times \frac{33}{64}$ in.
31 $\frac{7}{64} \times 1\frac{49}{64} \times \frac{33}{64}$ in.
35 $\frac{3}{64} \times 1\frac{49}{64} \times \frac{33}{64}$ in.
42 $\frac{29}{32} \times 1\frac{49}{64} \times \frac{33}{64}$ in.

wedi Fundo® Linear Drain Cover Frames

All wedi Linear Drain Cover frames are made from American stainless steel and with high quality finishes that resist physical and chemical exposure challenges commonly found in wet room installations.



wedi Fundo® Linear Drain Cover Frame SS27, SS31, SS35 or SS43

Drain type: linear

Metal type: stainless steel 304

Coating: no coating

Finish type: brushed

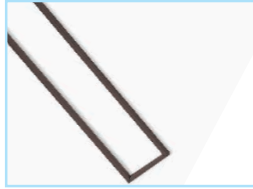
Size:

28 x 2 $\frac{9}{16}$ x $\frac{1}{4}$ in.

32 x 2 $\frac{9}{16}$ x $\frac{1}{4}$ in.

35 $\frac{29}{32}$ x 2 $\frac{9}{16}$ x $\frac{1}{4}$ in.

43 $\frac{25}{32}$ x 2 $\frac{9}{16}$ x $\frac{1}{4}$ in.



wedi Fundo® Linear Drain Cover Frame MB27, MB31, MB35 or MB43

Drain type: linear

Metal type: stainless steel 304

Coating: matte black

Finish type: lightly brushed/buffed

Size:

28 x 2 $\frac{9}{16}$ x $\frac{1}{4}$ in.

32 x 2 $\frac{9}{16}$ x $\frac{1}{4}$ in.

35 $\frac{29}{32}$ x 2 $\frac{9}{16}$ x $\frac{1}{4}$ in.

43 $\frac{25}{32}$ x 2 $\frac{9}{16}$ x $\frac{1}{4}$ in.



wedi Fundo® Linear Drain Cover Frame B27, B31, B35 or B43

Drain type: linear

Metal type: stainless steel 304

Coating: brass

Finish type: lightly brushed/buffed

Size:

28 x 2 $\frac{9}{16}$ x $\frac{1}{4}$ in.

32 x 2 $\frac{9}{16}$ x $\frac{1}{4}$ in.

35 $\frac{29}{32}$ x 2 $\frac{9}{16}$ x $\frac{1}{4}$ in.

43 $\frac{25}{32}$ x 2 $\frac{9}{16}$ x $\frac{1}{4}$ in.



wedi Fundo® Linear Drain Cover Frame C27, C31, C35 or C43

Drain type: linear

Metal type: stainless steel 304

Coating: chrome

Finish type: lightly brushed/buffed

Size:

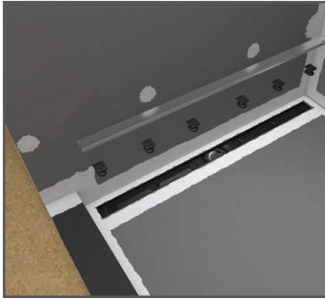
28 x 2 $\frac{9}{16}$ x $\frac{1}{4}$ in.

32 x 2 $\frac{9}{16}$ x $\frac{1}{4}$ in.

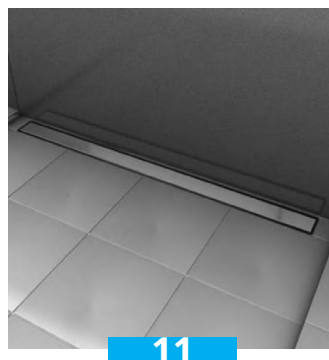
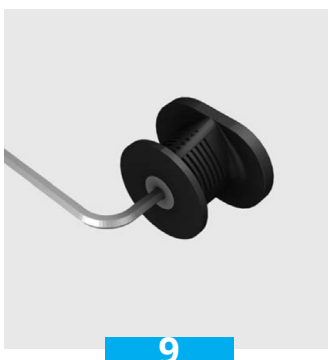
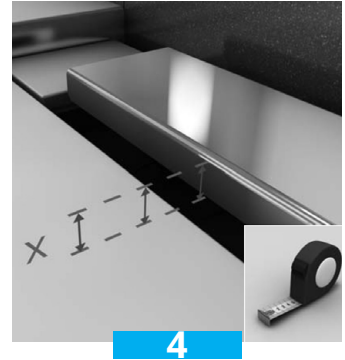
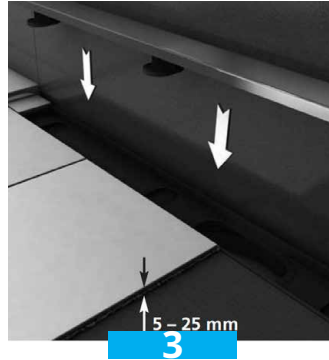
35 $\frac{29}{32}$ x 2 $\frac{9}{16}$ x $\frac{1}{4}$ in.

43 $\frac{25}{32}$ x 2 $\frac{9}{16}$ x $\frac{1}{4}$ in.

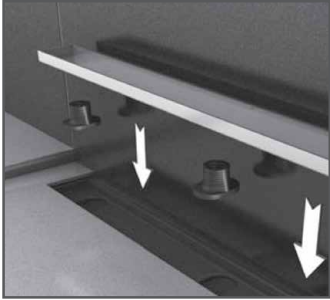
Installing a wedi Fundo® Linear Drain Cover



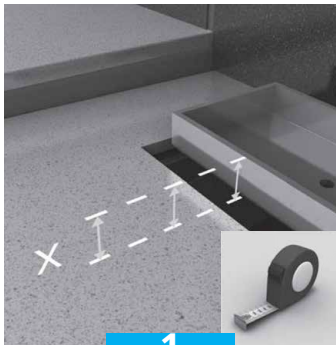
Once a linear shower installation is complete, you can insert a wedi Fundo® Linear Drain Cover, equipped with supports which are mounted to the cover and will rest in pre-made depressions inside the linear drain channel where they support the cover. Reference the drawings below for installation of supports, and how to adjust supports and drain covers for height to match the tile surface (adjustment varies between models from 3/16 inch low to 1 inch high).



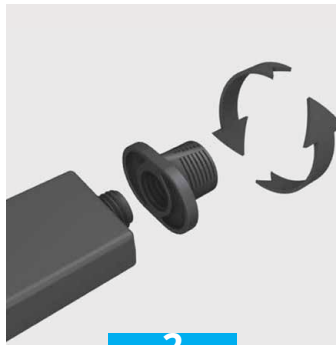
Installing a wedi Fundo® Linear Tileable Drain Cover



Once a linear shower installation is complete, you can insert a wedi Fundo® Linear Drain Cover, equipped with supports which are mounted to the cover and will rest in pre-made depressions inside the linear drain channel where they support the cover. Tileable drain covers can be completed by inserting a piece of tile into the drain cover opening, installing with wedi® Joint Sealant or thinset. Reference the drawings below for installation of supports, and how to adjust supports and drain covers for height to match the tile surface (adjustment varies between models from ³/₁₆ inch low to 1 inch high).



1



2



3



4



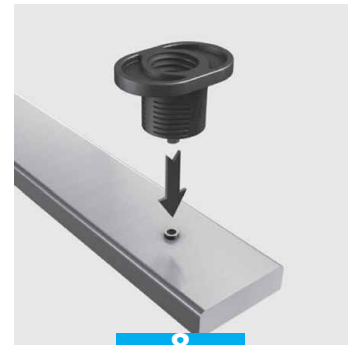
5



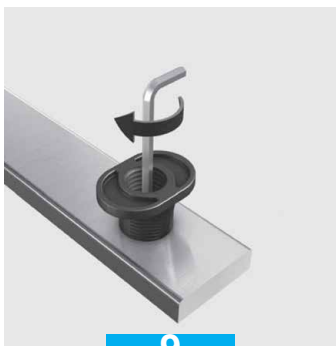
6



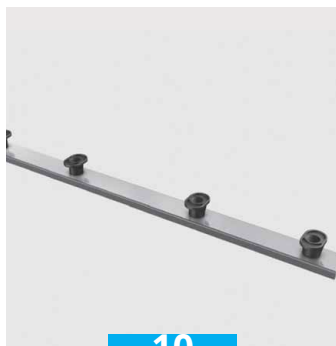
7



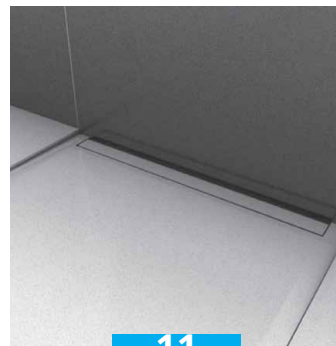
8



9

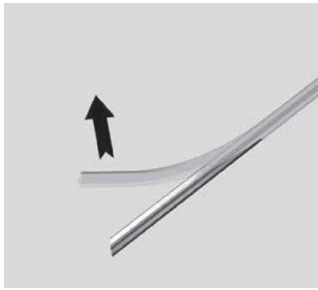


10

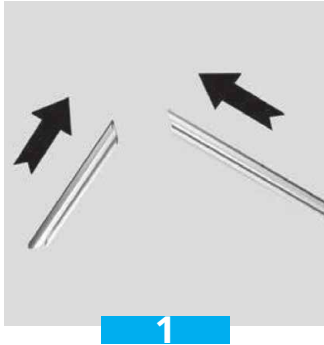


11

Installing a wedi Fundo® Linear Drain Cover Frame



These frame profiles are used to protect the exposed tile and grout at the edge of the linear channel without limiting the flow of water towards the drain whether the water moves over or under the tile. They add a stylized look for linear drain design showers.



1



2



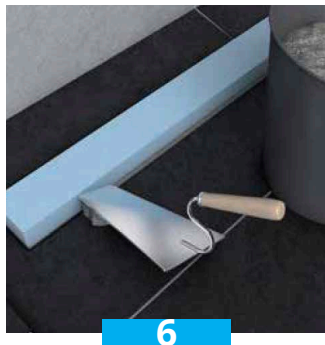
3



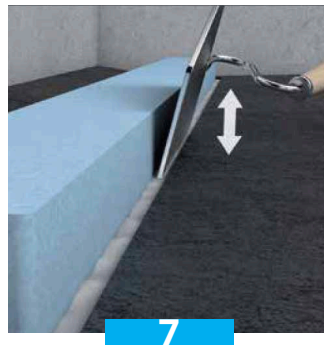
4



5



6



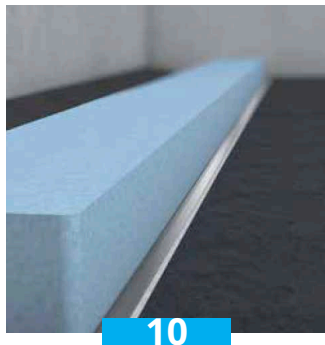
7



8



9



10



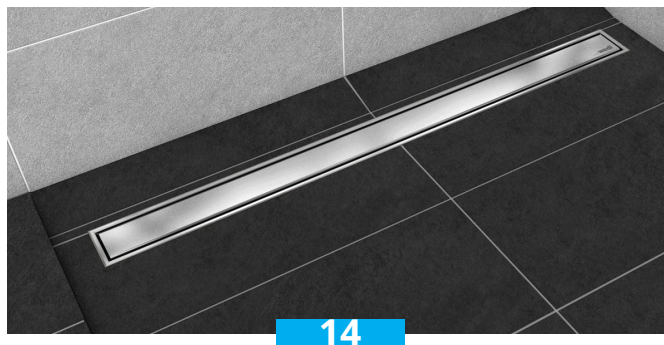
11



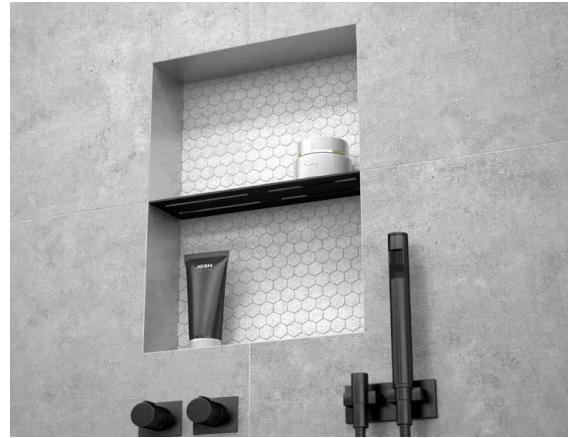
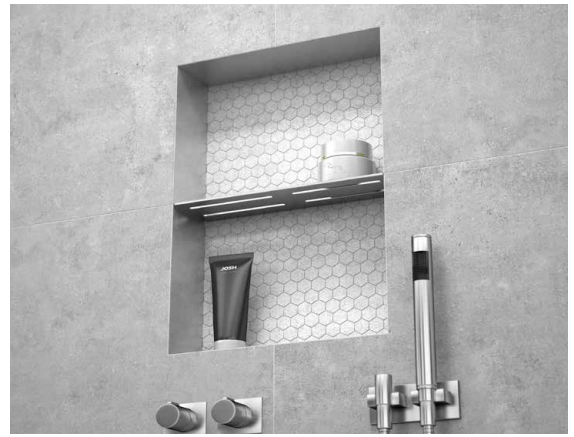
12



13

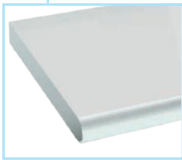


14



wedi® Shower Niche Shelves

The adjustable shelves included with wedi® Shower Niches can be replaced with a premium shelf option. Choose a shelf finish that matches one of wedi's point or linear drain covers, or the other fixtures in your final shower design. You can choose a premium shelf in low-iron, clear, tempered glass with a pencil-polished edge, a shelf in aluminum anodized in matte black finish, or a brushed stainless steel finish. With little effort and with the use of wedi® Joint Sealant, these shelves may be installed where they best fit the design.



wedi® Shower Niche Shelf
Glass
 low-iron, clear,
 tempered glass with
 pencil-polished edge



wedi® Shower Niche Shelf
Matte Black
 anodized aluminum,
 matte black finish



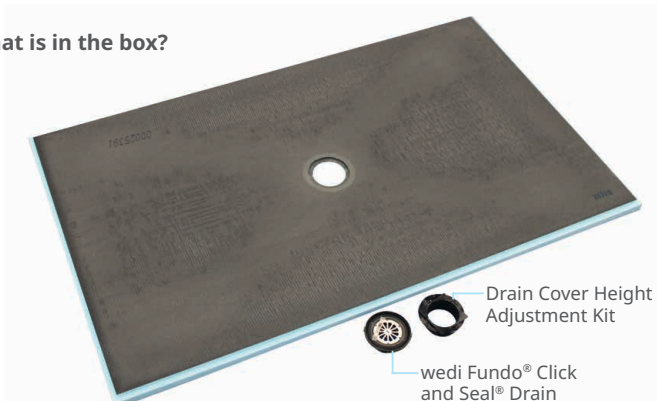
wedi® Shower Niche Shelf
Stainless Steel
 brushed stainless steel
 finish

Product Order Information

wedi Fundo® Shower Bases

wedi® Shower Bases are needed for the shower floor and offer a prefabricated, consistent slope to the integrated wedi® drain, and are 100% waterproof and mold-resistant. The bases are quick and easy to install, and come in a variety of sizes and designs. They can be cut on the project site to fit tightly into custom areas, and have a connection area for a wedi Fundo® Shower Curb.

What is in the box?

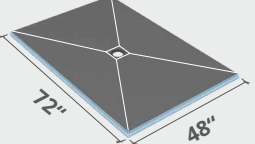
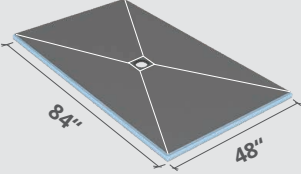


All wedi Fundo® Shower Bases include a wedi Fundo® Click and Seal® Drain Kit and a Drain Cover Height Adjustment Kit. For more details on these items, please review their product page.

- i Additional add-ons sold separately: wedi Fundo® Drain Covers.
- i Shower bases made in Germany and **the U.S.A.**

Product Image	Item #	Dimensions
	US9100001	36 in. x 36 in. x 1 1/2 in. - Center Drain
	US9100002	36 in. x 48 in. x 1 1/2 in. - Center Drain
	US9100004	36 in. x 60 in. x 1 1/2 in. - Center Drain
	US9100005	36 in. x 72 in. x 2 in. - Off-Center Drain
	US9100006	36 in. x 72 in. x 1 1/2 in. - Center Drain
	US9100017	42 in. x 42 in. x 1 1/2 in. - Center Drain
	US9100007	42 in. x 60 in. x 1 1/2 in. - Center Drain
	US9100008	42 in. x 72 in. x 1 1/2 in. - Center Drain
	US9100003	48 in. x 48 in. x 1 1/2 in. - Center Drain

wedi Fundo® Shower Bases

Product Image	Item #	Dimensions
	US9100009	48 in. x 60 in. x 1 1/2 in. - Center Drain
	US9100010	48 in. x 72 in. x 1 1/2 in. - Center Drain
	US9100014	48 in. x 84 in. x 2 in. - Center Drain
	US9100011	60 in. x 60 in. x 1 1/2 in. - Center Drain
	US9100012	60 in. x 72 in. x 1 1/2 in. - Center Drain
	US9100015	60 in. x 84 in. x 2 in. - Center Drain
	US9100016	72 in. x 72 in. x 1 1/2 in. - Center Drain

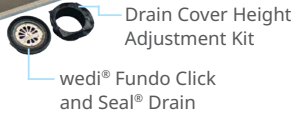
Installation at a Glance:



Scan code to view complete and current step-by-step installation manuals and videos

wedi Fundo® Curbless Shower Bases

What is in the box?



wedi Fundo® Curbless Shower Bases are needed for the shower floor and offer a prefabricated, consistent slope to the integrated wedi® drain, and are 100% waterproof and mold-resistant. The bases are quick and easy to install, and come in a variety of sizes and designs. They can be cut on the project site to fit tightly into custom areas, and are often used with wedi® S-DRY™ membrane at floor transitions.

wedi Fundo® Curbless shower bases are a patented low profile 3/4" thin at the perimeter which makes them ideal for recessing them into a suspended plywood subfloor creating a flush to the floor transition typical for curbless or barrier free entry shower designs. Consider using with wedi® Curbless Shower Recess Kit to professionally create a recess in a standard plywood subfloor situation.

Product Image	Item #	Dimensions
	US9200001	36 in. x 48 in. x 3/4 in. - Center Drain
	US9200003	36 in. x 60 in. x 3/4 in. - Center Drain
	US9200007	36 in. x 60 in. x 1 1/8 in. - Off-Center Drain
	US9200006	42 in. x 42 in. x 3/4 in. - Center Drain
	US9200002	48 in. x 48 in. x 3/4 in. - Center Drain
	US9200004	48 in. x 60 in. x 3/4 in. - Center Drain
	US9200008	48 in. x 72 in. x 1 1/8 in. - Center Drain
	US9200005	60 in. x 60 in. x 3/4 in. - Center Drain
	US9200009	60 in. x 72 in. x 1 1/8 in. - Center Drain
	US9200010	72 in. x 72 in. x 1 1/8 in. - Center Drain

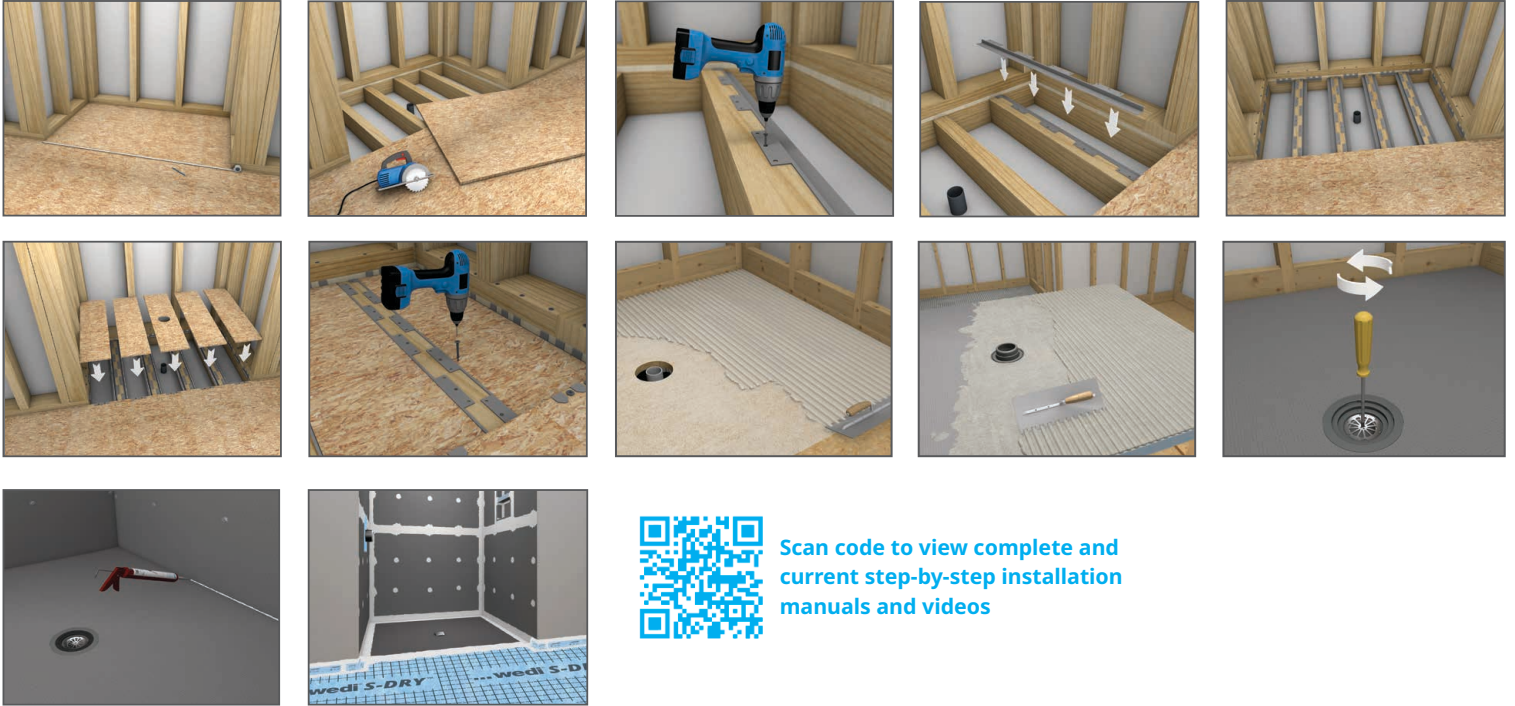
Drain cover sold separately. Made in U.S.A.

wedi Fundo® Curbless Shower Bases

Installation at a Glance:

Installing the wedi® Curbless Shower Recess Kit (sold separately) and wedi Fundo® Curbless Shower Base / Kit.

To make preparation for a wedi Fundo® Curbless Shower Kit installation much easier and safer, we offer the wedi® Curbless Shower Recess Kit. This installation kit is designed to help you recess a wood floor between existing floor joists (2 x 10 joists or engineered joists spaced 16 inches o.c.) without the need to sister these joists with more 2 x 6, or other wood framing material. The bracket system connects, carries, and supports the recessed wood along floor joists; along the surrounding subfloor (not recessed) and the sides of the shower where the wood meets the framing bottom plates. Ensure the general subfloor construction, before installing the wedi® system, meets current IRC requirements for structural construction, meets dead and live load minimum requirements, and has a deflection potential of less than L/360. Once the wedi® bracket system is installed, and the recessed floor is in place, all requirements will be met or exceeded.

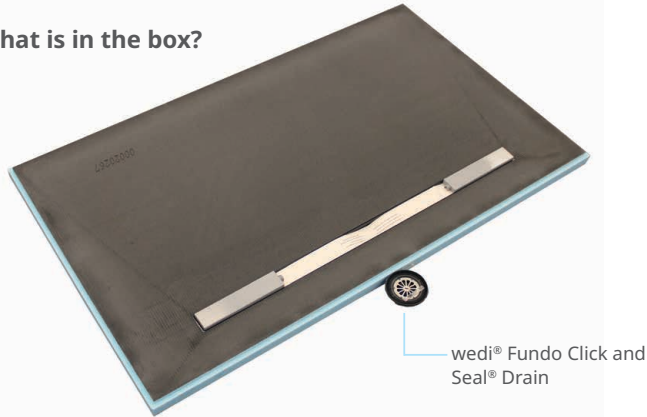


Scan code to view complete and current step-by-step installation manuals and videos

wedi Fundo® Linear Shower Bases

wedi Fundo® Linear Shower Bases are needed for the shower floor and offer a prefabricated, 4-way consistent slope to the integrated wedi® drain and a level perimeter thickness, and are 100% waterproof and mold-resistant. The bases are quick and easy to install, and come in a variety of sizes and designs. They can be cut on the project site to fit tightly into custom areas, and have a connection area for a wedi Fundo® Shower Curb.

What is in the box?



All wedi Fundo® Linear Shower Bases include a wedi Fundo® Click and Seal® Drain Kit. For more details on these items, please review their product page.

- i** Additional add-ons sold separately: wedi Fundo® Linear Drain Covers and Linear Drain Cover Frames.
- i** Shower bases made in Germany and **the U.S.A.**

Product Image	Item #	Dimensions	Channel Length	Fits with
	US9310001	36 in. x 60 in. x 2 in.	43 19/64 in.	wedi Fundo® Linear Drain Covers and Frames in 43 inch length.
	US9310002	48 in. x 60 in. x 2 1/2 in.	27 19/32 in.	wedi Fundo® Linear Drain Covers and Frames in 27 inch length.
	US9310003	48 in. x 72 in. x 2 3/8 in.	43 19/64 in.	wedi Fundo® Linear Drain Covers and Frames in 43 inch length.

wedi Fundo® Linear Shower Modules & Shower Modules Extensions

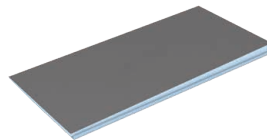
When paired with a wedi Fundo® Linear Shower Extension, wedi Fundo® Linear Shower Modules create a shower base featuring a one-way slope with close to wall drain placement. Both the module and extension are 100% waterproof and mold-resistant.

What is in the box?

wedi Fundo® Linear Shower Modules



wedi Fundo® Linear Shower Extension



wedi Fundo® Click and Seal® Drain

All wedi Fundo® Linear Shower Modules include a wedi Fundo® Click and Seal® Drain Kit. Extensions are sloped 2.1%. For more details on these items, please review their product page.

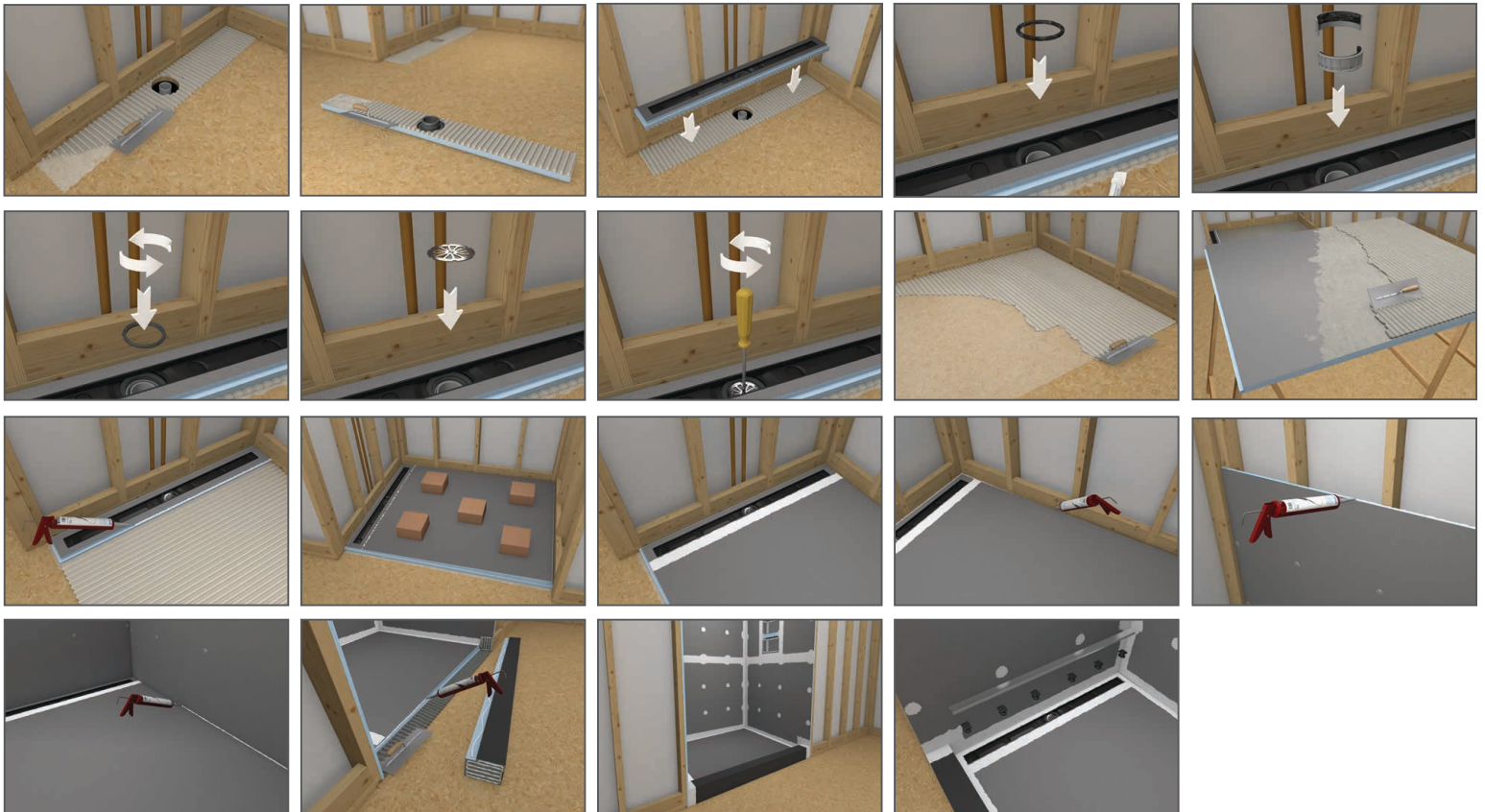
- i** Additional add-ons sold separately: wedi Fundo® Linear Drain Covers.
- i** Shower bases made in Germany and **the U.S.A.**

Product Image	Item Name	Length × Width × Height	Channel Length	Fits with	Item #
	wedi Fundo® Linear Shower Module 32"	32 in. × 5 3/4 in. Height/Thickness: 1 3/8 in.	27 19/32 in.	wedi Fundo® Linear Drain Covers and Frames in 27 inch length.	US9320001
	wedi Fundo® Linear Shower Module 36"	36 in. × 5 3/4 in. Height/Thickness: 1 3/8 in.	31 1/2 in.	wedi Fundo® Linear Drain Covers and Frames in 31 inch length.	US9320003
	wedi Fundo® Linear Shower Module 42"	42 in. × 5 3/4 in. Height/Thickness: 1 3/8 in.	35 7/16 in.	wedi Fundo® Linear Drain Covers and Frames in 35 inch length.	US9320004
	wedi Fundo® Linear Shower Module 48"	48 in. × 5 3/4 in. Height/Thickness: 1 3/8 in.	43 19/64 in.	wedi Fundo® Linear Drain Covers and Frames in 43 inch length.	US9320002
	wedi Fundo® Linear Shower Module 54"	54 in. × 5 3/4 in. Height/Thickness: 1 3/8 in.	43 19/64 in.	wedi Fundo® Linear Drain Covers and Frames in 43 inch length.	US9320005

Product Image	Item Name	Length x Width x Height	Channel Length	Fits with	Item #
	wedi Fundo® Linear Shower Extension 32"	66 3/4 in. x 32 in. Height/Thickness: 1 3/8 - 2 3/16 in.	-	wedi Fundo® Linear Shower Module 32"	US9330001
	wedi Fundo® Linear Shower Extension 36"	66 3/4 in. x 36 in. Height/Thickness: 1 3/8 - 2 3/16 in.	-	wedi Fundo® Linear Shower Module 36"	US9330003
	wedi Fundo® Linear Shower Extension 42"	66 3/4 in. x 42 in. Height/Thickness: 1 3/8 - 2 3/16 in.	-	wedi Fundo® Linear Shower Module 42"	US9330004
	wedi Fundo® Linear Shower Extension 48"	66 3/4 in. x 48 in. Height/Thickness: 1 3/8 - 2 3/16 in.	-	wedi Fundo® Linear Shower Module 48"	US9330002
	wedi Fundo® Linear Shower Extension 54"	66 3/4 in. x 54 in. Height/Thickness: 1 3/8 - 2 3/16 in.	-	wedi Fundo® Linear Shower Module 54"	US9330005

Installation at a Glance:

Installing a wedi Fundo® Linear Shower Module with wedi Fundo® Linear Shower Extension.



Scan code to view complete and current step-by-step installation manuals and videos

wedi Fundo® Curbs, Curb Caps & Ramp

wedi® curbs and shower ramp are available in several options for shower entry designs where transitions are required, and can be installed with wedi Fundo® shower bases as well as conventional mortar bed systems. Waterproof and versatile, wedi® curbs and ramps may be tiled before glass doors, glass panels, or even glass blocks are installed. Epoxy glue is recommended instead of screw fasteners when installing into wedi's solid foam curbs. Optionally, you can use our wedi® Shower Curb AT which features an integrated and centered anchor track (AT) made from solid PVC where fasteners can safely anchor into the curb. All wedi® curb options except wedi® S-DRY™ Curbs and wedi® Curb Caps, which work in combination with 2 x 4 framing support, are slightly sloped to direct water towards the drain of the shower. All wedi® curbs can carry a weight of 280 lbs./ft. minimum once tiled. When using the wedi® Shower Ramp instead of a curb, please note its design is ADA compliant featuring a slope of 1 ½ inch down to ¼ inch, and it can be installed using similar installation steps as used with wedi® curbs: the installation to the floor is made using thinset tile adhesive such as wedi® PRO-SET™ and with wedi® Joint Sealant applied continuously in between tight connections to the shower base, wall and bathroom floor underlayment. Additional sealant is applied over these seams, 1 inch wide on either side of the seam, and is spread flat with a putty knife.

wedi® Shower Curbs

Product Image	Item Name	Height x Width x Length	Item #	Description
	wedi Fundo® Shower Curb 60"	5 1/8 x 4 1/2 x 60 in.	US3000039	Sloped and pre-made curb for use with wedi® Shower Bases
	wedi Fundo® Shower Curb 96"	5 1/8 x 4 1/2 x 96 in.	US3000041	Sloped and pre-made curb for use with wedi® Shower Bases
	wedi Fundo® Shower Curb Lean 60"	3 1/2 x 2 x 60 in.	US3000038	Sloped and pre-made curb for use with wedi® Shower Bases
	wedi Fundo® Shower Curb Lean 96"	3 1/2 x 2 x 96 in.	US3000040	Sloped and pre-made curb for use with wedi® Shower Bases

i wedi® Shower Curbs are installed with wedi® Joint Sealant.

wedi® Shower Curb Cap

Product Image	Item Name	Height x Width x Length	Item #	Description
	wedi Fundo® Shower Curb Cap 60"	5 in. x 4 5/8 in. x 60 in.	US3000008	Curb cap with exterior dimensions to finish and waterproof over wooden curb constructions
	wedi Fundo® Shower Curb Cap 96"	5 in. x 4 5/8 in. x 98 7/16 in.	US3000010	Curb cap with exterior dimensions to finish and waterproof over wooden curb constructions

i Installation over 2x4 wood construction. CAUTION: Do not allow Glass Door Assembly to penetrate Curb Cap. These units are not sloped on top surface. Tile or stone cover must be sloped to safely move water in direction of shower drain. **i** Made in U.S.A.

wedi® Shower Curb AT (Anchor Track)

Product Image	Item Name	Height x Width x Length	Item #	Description
	wedi Fundo® Shower Curb AT 60"	5 1/8 in. x 4 1/2 in. x 60 in.	US3000048	Sloped and pre-made curb with integrated glass door anchor track
	wedi Fundo® Shower Curb Lean AT 60"	3 1/2 in. x 2 in. x 60 in.	US3000049	Sloped and pre-made curb with integrated glass door anchor track

i wedi® Shower Curb AT with integrated and coated PVC core anchor strip (centered; 2 in. wide by 3/8 in. thick). Integrated anchor strip allows fastener attachment (glass panel tracks/door units). Sloped on top surface. **i** Made in U.S.A.

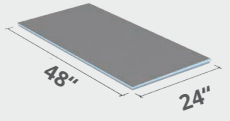
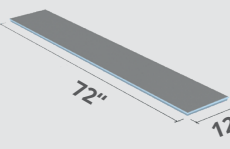
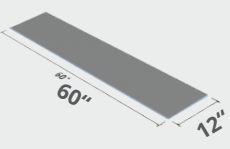
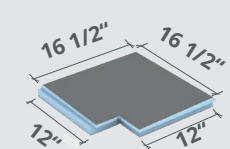
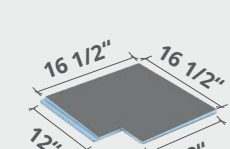
wedi® Shower Ramp



Product Image	Item Name	Height x Width	Item #	Description
	wedi Fundo® Shower Ramp 16" x 60"	16 in. x 60 in., sloped 1 1/2 in. to 1/4 in.	073736517	Sloped and waterproof ADA compliant tileable Ramp providing 16 inches of sloped surface along a 60 inch width of a shower entry ramp design

i * ADA compliant. Made in Germany.

wedi Fundo® Shower Extensions

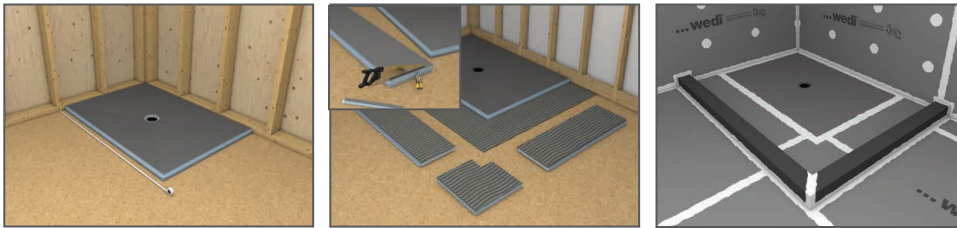
In addition to customizing our shower bases by cutting them down and re-creating the 1/2 inch channel, wedi® also has extension panels and pre-made corner extension panels to extend the shower base. If one extension panel isn't large enough, you can use multiple extension panels to achieve the desired overall shower base size. You can use extension panels on one side of the wedi® shower bases or multiple sides. The extension panels are all pre-sloped 1/4 inch per foot in one direction. When extending the shower floor on two or more adjacent sides of the shower base, please use our prefabricated corner extensions (or use straight extensions connected at 45 degrees in the corner) to give the surface slope proper direction and to avoid uneven connections between extensions.

Product Image	Item Name	Item #	Width x Length x Thickness	Description
	wedi Fundo® Shower Extension 24" x 48"	073783528	24 x 48 in. sloped 1/4 in./ft	Sloped extensions for use with wedi Fundo® Shower Base adding 24 inches of sloped surface along one 48 inch long side
	wedi Fundo® Shower Extension 12" x 72"	US3000036	12 x 72 in. sloped 1/4 in./ft	Sloped extensions for use with wedi Fundo® Shower Base adding 12 inches of sloped surface along one 72 inch long side
	wedi Fundo® Curbless Shower Extension 12" x 60"	US3000035	12 x 60 in. sloped 1/4 in./ft	Sloped extensions for use with wedi Fundo® Curbless Shower Base adding 12 inches of sloped surface along one 60 inch long side
	wedi Fundo® Shower Corner Extension	US3000053	16 1/2 x 16 1/2 x 1 13/16 in. sloped min. 1/4 in. /ft. (2.1%)	Sloped corner extension for use with wedi Fundo® Shower Base adding 12 inches of sloped surface on two sides (total square size 16 1/2 in. x 16 1/2 in.)
	wedi Fundo® Curbless Shower Corner Extension	US3000052	16 1/2 x 16 1/2 x 1 1/16 in. sloped min. 1/4 in. /ft. (2.1%)	Sloped corner extension for use with wedi Fundo® Curbless Shower Base adding 12 inches of sloped surface on two sides (total square size 16 1/2 in. x 16 1/2 in.)

 wedi® Extension Panels are installed with wedi® Joint Sealant.  wedi® Extension Panels are made in Germany.

Installation at a Glance:

Attaching wedi® Extension Panels to a wedi Fundo® Shower Base.



Scan code to view complete and current step-by-step installation manuals and videos

wedi® Building Panel

wedi® Building Panels are made using the latest manufacturing technology and highest-quality materials. They are waterproof, lightweight, easy and clean to cut, are incredibly strong, and bond extremely well for use with any thinset mortar application. The wedi® Building Panel can be tiled with ceramic, glass, or stone in all sizes, from mosaic to large format tiles. Large and thin tiles especially benefit from the durability, and the exact, even surface wedi® Building Panels provide. wedi® Building Panels can be used on framed walls, over floors, wall ceilings, countertops or to create custom shower niches, seats or benches.



wedi® Building Panels can be purchased in individual quantities at wedi® retailers.

i wedi® Building Panels are installed with wedi® Joint Sealant and wedi® Fasteners.

i wedi® Building Panels made in **U.S.A.**

Item Name	Main Application	Quantity Per Packaging Unit	Item #
wedi® Building Panel 24"x48"x1/8"	Backsplash, tub decks, floors, under mosaic strips in field tile designs	10 panels/box	US8000006*
wedi® Building Panel 32"x48"x1/2"	Wall panel	5 sheets/box	US8000032
wedi® Building Panel 36"x60"x1/2"	Wall panel	50 panels/pallet	US8000017
wedi® Building Panel 48"x60"x1/4"	Tub decks, floors, with electric radiant heat	25 panels/pallet	US8000013
wedi® Building Panel 48"x60"x1/2"	Wall panel	50 panels/pallet	US8000014
wedi® Building Panel 48"x60"x5/8"	Wall panel, aligns with 5/8 in. drywall	4 panels/box	US8000011
wedi® Building Panel 48"x60"x5/8"	Wall panel, aligns with 5/8 in. drywall	50 panels/pallet	US8000021
wedi® Building Panel 48"x60"x3/4"	Floor panel, aligns with wedi Fundo® Curbless Shower Bases to create extension to bathroom floor	4 panels/box	US8000018
wedi® Building Panel 48"x60"x1"	Wall panel, lines up with floated walls	4 sheets/box	US8000022
wedi® Building Panel 48"x60"x1 1/2"	Constructing benches, floors to line up with wedi Fundo® Shower Base into bathroom	2 sheets/box	US8000019
wedi® Building Panel 48"x60"x2"	Constructing benches and suspended seats, freestanding walls and partitions	2 sheets/box	US8000020
wedi® Building Panel 48"x96"x1/2"	Wall panel	4 sheets/box	US8000010
wedi® Building Panel 48"x96"x1/2"	Wall panel	50 sheets/pallet	US8000015
wedi® Building Panel 48"x96"x2"	Constructing benches and suspended seats, freestanding walls and partitions	12 sheets/pallet	US8000016

i * Made in Germany.

wedi® Building Panel

Installation at a Glance:

Installing wedi® Building Panels - Use wedi® Joint Sealant in between connections of wedi® Building Panels in a system installation and apply additional wedi® Joint Sealant over all seams and spread flat using a putty knife. Cut wedi® Building Panels cleanly and safely using a straight edge and utility knife.

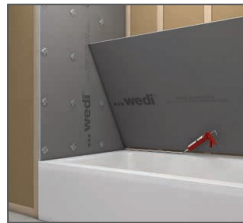
Applications:



In showers on walls or ceilings and other surfaces except the floor, they provide tiling substrate and waterproofing all in one product and installation step.



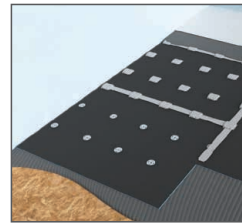
Seamlessly integrate with wedi® Shower Niches or Benches made from wedi® Building Panel.



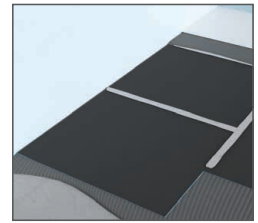
As tub surrounds, the panel can be notched out to integrate with a tub flange for a safe, sealed, plumb and square connection where the tub transitions into the wall.



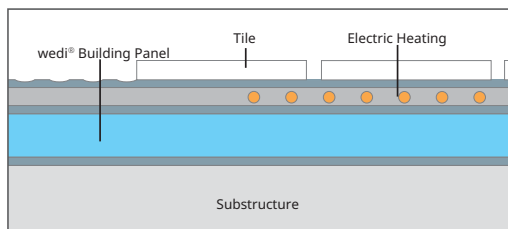
Under mosaic accent strips and bands to create a flush transition to wall tile.



Over wooden subfloors.



Over concrete subfloors.



With electric floor warming systems. To create a heat break and insulate from cold subfloors.





On countertops.



To build custom shower benches.



Installation Accessories

wedi® Joint Sealant

Product Image	Item Name	U.S.A.ge Amount / Optional or Needed	Contents	Unit	Item #	Description
	wedi® Joint Sealant Cartridge	Approximately 1.2 oz. per ft ² of wedi® building panel on walls covers your needs for shower wall, base and curb installation; Prefabricated modules and design upgrades may require additional wedi® Joint Sealant.	10.5 oz.	12/case full cases only	US5000013	10.5 oz cartridge of SMP hybrid sealant to waterproof and connect wedi® assemblies
	wedi® Joint Sealant Sausage	Approximately 1.2 oz. per ft ² of wedi® building panel on walls covers your needs for shower wall, base and curb installation; Prefabricated modules and design upgrades may require additional wedi® Joint Sealant.	20 oz.	20/case full cases only	US5000010	20 oz foil sausage of SMP hybrid sealant to waterproof and connect wedi® assemblies


i Permanently flexible, waterproof sealant and adhesive for joint treatment. **Made in U.S.A.**

wedi® Sealant 620

Product Image	Item Name	U.S.A.ge Amount / Optional or Needed	Contents	Unit	Item #	Description
	wedi® Sealant 620 Cartridge	1.5 linear feet of 2 in. overlap; or flashing up wall per ounce.	10.5 oz.	12/case full cases only	US5000088	10.5 oz cartridge of SMP hybrid sealant to waterproof and vaporproof wedi® assemblies in steam rooms
	wedi® Sealant 620 Sausage	1.5 linear feet of 2 in. overlap; or flashing up wall per ounce.	20 oz.	20/case full cases only	US5000083	20 oz foil sausage of SMP hybrid sealant to waterproof and vaporproof wedi® assemblies in steam rooms



i Used with wedi® Subliner Dry Sealing Tape, wedi® Subliner Dry Sheet membranes, or wedi® Vapor 85 Building Panels. Made in Germany.

wedi® Corner Putty Knife

Product Image	Item Name	U.S.A.ge	Unit	Item #	Description
	wedi® Corner Putty Knife	Used to spread Joint Sealant evenly and into corners/seams.	1 pc	US5000044	For application of wedi® sealants over corner seams.

i Made in U.S.A.



wedi® Sealant Gun

Product Image	Item Name	U.S.A.ge	Unit	Item #	Description
	wedi® Sealant Gun	Used to evenly disperse Joint Sealant.	1 pc	US5000019	For cartridge and sausage sealant.
	wedi® Sealant Gun Tip	Replacement tips for sealant gun.	10 pcs/box	US5000020	Replacement nozzle tips (hard-plastic).

i Made in Taiwan.


Installation Accessories

wedi® Fastener Kits

Product Image	Item Name	U.S.A.ge Amount	Contents	Unit	Item #	Description
	wedi® Fastener Kit	Plan to use 1 wedi® screw and washer per ft ² of wedi® Building Panel	100 wedi® Coarse Thread Screws 1 5/8 in. & 100 wedi® Tab Steel Washers	1 pc	US5000070	100 ct wedi® Tab washers and screws
	wedi® Tabless Fastener Kit	Use for flooring with 1/4 in. panel, as well as with the wedi Vapor 85 Building Panel. Plan to use 1 wedi® screw and washer per ft ² of wedi® Building Panel	100 wedi® Coarse Thread Screws 1 5/8 in. & 100 wedi® Tab Steel Washers	1 pc	US5000086	100 ct wedi® Tabless washers and screws

i Phillips head for wood studs, premium ceramic coating (ACQ Compliant). For installation to wooden and metal framework (20 gauge). Tabbed washers provide four tabs for fast and secure placement. wedi® Washers provide a solid gauge according to ISO standards and less potential for deformation. Load capabilities are independently tested. Washers **made in U.S.A.** Screws made in Taiwan and Vietnam.

wedi® Washer Master Pack

Product Image	Item Name	Diameter	Unit	Item #	Description
	wedi® Washer Master Pack	1 1/4 in.	1000 pcs	US5000009	1000 ct wedi® Tab washers*

i Tabbed washers provide four tabs for fast and secure placement. wedi Washers provide a solid gauge according to ISO standards and less potential for deformation. Load capabilities are independently tested. **Made in U.S.A.**

*Count determined by weight, actual count may vary

wedi® Screws

Product Image	Item Name	Length	Unit	Item #	Description
	wedi® Screws Master Pack	1 5/8 in.	1000 pcs	US5000012	1000 ct wedi® screws*
	wedi® Self tapping Screws	1 1/4 in.	100 pcs	US5000018	100 ct wedi® self tapping screws*

i Phillips head; Non-Rust Screws with ceramic coating (ACQ compliant) Use Non-Rust Screws with wood or metal framing 20 gauge or lighter. For heavier gauge metal framing use Self-Tapping Screws. Made in Taiwan and Vietnam.

*Count determined by weight, actual count may vary

Installation Accessories

wedi® Curbless Shower Recess Kit

Product Image	Item Name	Dimensions	Unit	Item #	Description	Retail Price / Kit
	wedi® Curbless Shower Recess Kit	5 × 5 ft. For 3/4 in. thick plywood.	1 pc	US5000085	Bracket system to recess shower areas up to 5x5 ft. in size in 3/4 in. plywood subfloors	\$615.75

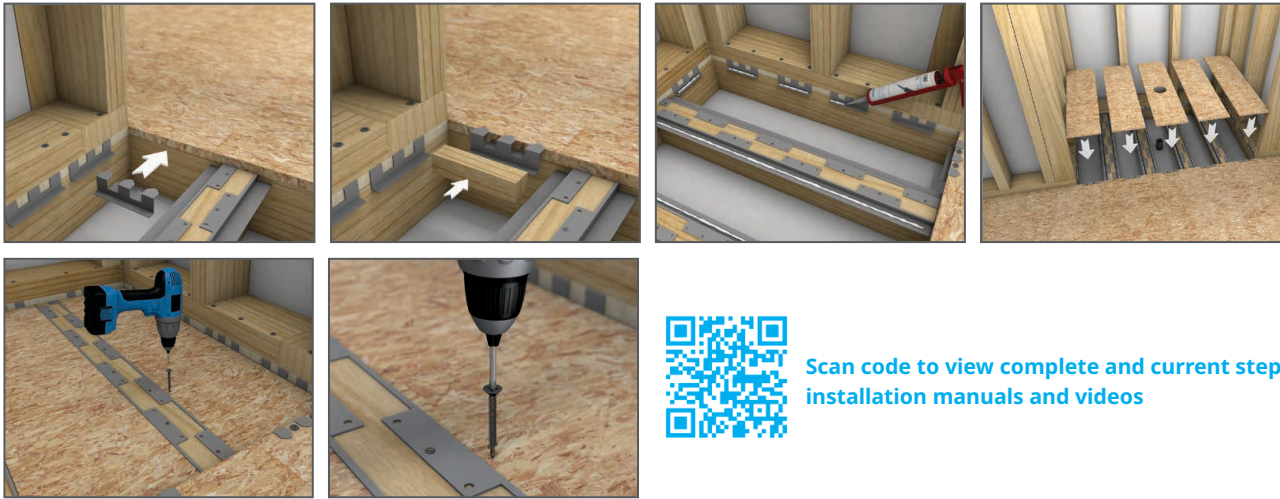
i For recessing single layer 23/32" or 3/4" thick plywood subfloors.

For a wedi Fundo® Curbless Shower Base up to 60 in. x 60 in. in size. Can be used with 16 in. o.c. 2x10 solid joists as well as engineered joists. **Made in U.S.A..**

Kit includes:

- 30 × C Brackets
- 10 × Joist Brackets
- 60 × Flat head Phillips wood screws
- 40 × Long flat head Phillips self-drilling screws with wings
- 160 × Short flat head Phillips self-drilling screws with wings

Installation at a Glance:



Scan code to view complete and current step-by-step installation manuals and videos

Drain Replacement Parts & Kits

wedi® Fundo Click and Seal® Drain

Product Image	Item Name	Product Information	Unit	Item #	Description
	wedi Fundo® Click and Seal® Drain Kit 2"	Includes drain body, sealing gasket, compression spacer, locking nut, strainer key, lubricant	1 pc	US9400101	Drain unit kit for use with wedi Fundo®, wedi Fundo® Curbless and wedi Fundo® Linear Shower Bases
	wedi Fundo® Click and Seal® Replacement Kit Copper Pipe	Includes special sealing gasket and compression spacer for copper pipe, lubricant	1 pc	US9400100	For sealing gasket connections to copper waste pipe
	wedi Fundo® Click and Seal® Height Adjustment Kit	Includes Drain Cover Extension, Alignment Ring 1, Snap Ring 2	1 pc	077000054	Kit to adjust height of drain covers by up to 1 1/4 inches, allows it to rotate, and allows it to move laterally by 3/16 inch in all directions to adjust to the tile and grout layout. This kit can also be used with wedi® S-DRY™ shower bases and S-DRY™ BFD if Fundo® Drain Covers are used.
	wedi Fundo® Click and Seal® Lube Kit	Includes 20 1 cc tubes of Click and Seal lubricant	20 tubes/box	US9400001*	20 units of silicone based, synthetic wedi® lubricant for Click and Seal® drain installations
	wedi Fundo® Click and Seal® 1 1/2 in. Pipe Kit	Includes a sealing gasket and a compression spacer	1 pc	US9400105	Kit to connect wedi® Fundo Click and Seal® Drain to 1 1/2 in. waste pipes. Regular drain fits a 2 in. pipe.

i For purchase as replacement units. wedi Fundo® Click and Seal® drains are included with individual shower bases and shower kits. wedi Fundo® Click and Seal® drain and accessories for use with wedi Fundo®, wedi Fundo® Curbless and wedi Fundo® Linear Shower Bases. Made in Portugal. ***Made in U.S.A.**

wedi Fundo® Drain Covers (Point Drain Covers)

All wedi® Point Drain Covers are made from solid, durable American-made stainless steel with high quality finishes that resist physical and chemical exposure challenges commonly found in wet rooms installations. The drain covers are made for extra heavy duty traffic, laser-cut for precision and hand finished for safety. Color coatings are applied using premium quality PVD and ceramic coating processes. For a more custom look, you can choose a tileable drain cover that can be tiled with epoxy glue/adhesive or wedi® Joint Sealant. Point drain covers fit with both wedi Fundo® Shower Bases and wedi Fundo® Curbless Shower Bases and they can also be used with wedi® S-DRY™ shower bases and wedi® S-DRY™ BFD when a S-DRY™ Fundo Drain Cover Support Kit is used. Installation steps can be found within the Fundo Shower Systems manuals.

wedi Fundo® Drain Cover Stainless Steel

Product Image	Item Name	Length x Width x Thickness	Unit	Item #	Description
	wedi Fundo® Drain Cover SS	3 3/4 in. x 3 3/4 in. x 1/4 in.	1 pc	US1000057	Drain cover and frame made from stainless steel with brushed finish

i Made in U.S.A.

wedi Fundo® Drain Cover Oil Rubbed Bronze

Product Image	Item Name	Length x Width x Thickness	Unit	Item #	Description
	wedi Fundo® Drain Cover ORB	3 3/4 in. x 3 3/4 in. x 1/4 in.	1 pc	US1000056	Drain cover and frame made from stainless steel with lightly brushed/buffed bronze finish

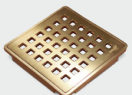
i Made in U.S.A.

wedi Fundo® Drain Cover Gold

Product Image	Item Name	Length x Width x Thickness	Unit	Item #	Description
	wedi Fundo® Drain Cover G	3 3/4 in. x 3 3/4 in. x 1/4 in.	1 pc	US1000055	Drain cover and frame made from stainless steel with lightly brushed/buffed gold finish

i Made in U.S.A.

wedi Fundo® Drain Cover Brass

Product Image	Item Name	Length x Width x Thickness	Unit	Item #	Description
	wedi Fundo® Drain Cover B	3 3/4 in. x 3 3/4 in. x 1/4 in.	1 pc	US1000062	Drain cover and frame made from stainless steel with brushed brass finish

i Made in U.S.A.

wedi Fundo® Drain Cover Chrome

Product Image	Item Name	Length x Width x Thickness	Unit	Item #	Description
	wedi Fundo® Drain Cover C	3 3/4 in. x 3 3/4 in. x 1/4 in.	1 pc	US1000054	Drain cover and frame made from stainless steel with lightly brushed/buffed chrome finish

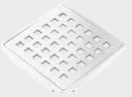
i Made in U.S.A.

wedi Fundo® Drain Cover Champagne

Product Image	Item Name	Length x Width x Thickness	Unit	Item #	Description
	wedi Fundo® Drain Cover CHA	3 3/4 in. x 3 3/4 in. x 1/4 in.	1 pc	US1000124	Drain cover and frame made from stainless steel with champagne finish

i Made in U.S.A.

wedi Fundo® Drain Cover White

Product Image	Item Name	Length x Width x Thickness	Unit	Item #	Description
	wedi Fundo® Drain Cover WHT	3 3/4 in. x 3 3/4 in. x 1/4 in.	1 pc	US1000125	Drain cover and frame made from stainless steel with white matte finish

i Made in U.S.A.

wedi Fundo® Drain Covers (Point Drain Covers)

wedi Fundo® Drain Cover Matte Black

Product Image	Item Name	Length x Width x Thickness	Unit	Item #	Description
	wedi Fundo® Drain Cover MB	3 3/4 x 3 3/4 x 1/4 in.	1 pc	US1000058	Drain cover and frame made from stainless steel with Matte Black finish

i For use with wedi Fundo® Shower Base & wedi Fundo® Curbless Shower Base. Consists of the cover and frame. **Made in U.S.A.**

wedi Fundo® Drain Cover Chrome Slotted

Product Image	Item Name	Length x Width x Thickness	Unit	Item #	Description
	wedi Fundo® Drain Cover CSL	3 3/4 x 3 3/4 x 1/4 in.	1 pc	US1000053	Drain cover and frame made from stainless steel with lightly brushed/buffed chrome finish and slotted design

i For use with wedi Fundo® Shower Base & wedi Fundo® Curbless Shower Base. Consists of the cover and frame. **Made in U.S.A.**

wedi Fundo® Drain Cover Tileable 1/4"

Product Image	Item Name	Length x Width x Thickness	Unit	Item #	Retail Price
	wedi Fundo® Drain Cover T14	3 3/4 x 3 3/4 x 1/4 in.	1 pc	US1000060	Drain cover with tile-in grate and frame made from stainless steel for use with 1/4 inch tile

i For use with wedi Fundo® Shower Base and wedi Fundo® Curbless Shower Base. For use with tile assemblies 1/4 in. thick. Consists of the cover and frame **Made in U.S.A.**

i Tileable cover plate surface is elevated 1/16 in. over tile surface of a Fundo base. For a flush tile installation, wedi® Joint Sealant spot bonding may be used to install the tile inside the cover so height is reduced versus the thinset bed build up under the tile on the shower base.

wedi Fundo® Drain Cover Tileable 3/8"

Product Image	Item Name	Length x Width x Thickness	Unit	Item #	Description
	wedi Fundo® Drain Cover T38	3 3/4 x 3 3/4 x 3/8 in.	1 pc	US1000047	Drain cover with tile-in grate and frame made from stainless steel for use with 3/8 inch tile

i For use with wedi Fundo® Shower Base and wedi Fundo® Curbless Shower Base. For use with tile assemblies 3/8 in. thick. Consists of the cover and frame **Made in U.S.A.**

i Tileable cover plate surface is elevated 1/16 in. over tile surface of a Fundo base. For a flush tile installation, wedi® Joint Sealant spot bonding may be used to install the tile inside the cover so height is reduced versus the thinset bed build up under the tile on the shower base.

wedi Fundo® Linear Drain Covers & Cover Frames

wedi Fundo® Linear Drain Cover MB



Item Name	Width x Length x Height	Fits with	Unit	Item #	Description
wedi® Linear Drain Cover MB27	1 49/64 in. x 27 11/64 in. x 33/64 in.	wedi Fundo® Linear or Linear Modular Shower Bases with 27 19/32 inch drain channels	1 pc	US1000082	Drain cover made from Stainless Steel with lightly brushed/buffed matte black finish
wedi® Linear Drain Cover MB31	1 49/64 in. x 31 7/64 in. x 33/64 in.	wedi Fundo® Linear or Linear Modular Shower Bases with 31 1/2 inch drain channels	1 pc	US1000095	Drain cover made from Stainless Steel with lightly brushed/buffed matte black finish
wedi® Linear Drain Cover MB35	1 49/64 in. x 35 3/64 in. x 33/64 in.	wedi Fundo® Linear or Linear Modular Shower Bases with 35 7/16 inch drain channels	1 pc	US1000102	Drain cover made from Stainless Steel with lightly brushed/buffed matte black finish
wedi® Linear Drain Cover MB43	1 49/64 in. x 42 29/32 in. x 33/64 in.	wedi Fundo® Linear or Linear Modular Shower Bases with 43 19/64 inch drain channels	1 pc	US1000083	Drain cover made from Stainless Steel with lightly brushed/buffed matte black finish

i For use with wedi Fundo® Linear Shower Bases or Line Modules. Consists of cover and supports. For installation heights of between 3/16 in. to 1 in. **Made in U.S.A.**

wedi Fundo® Linear Drain Cover SS



Item Name	Width × Length × Height	Fits with	Unit	Item #	Description
wedi® Linear Drain Cover SS27	1 49/64 in. x 27 11/64 in. x 33/64 in.	wedi Fundo® Linear or Linear Modular Shower Bases with 27 19/32 inch drain channels	1 pc	US1000084	Drain cover made from Stainless Steel with brushed finish
wedi® Linear Drain Cover SS31	1 49/64 in. x 31 7/64 in. x 33/64 in.	wedi Fundo® Linear or Linear Modular Shower Bases with 31 1/2 inch drain channels	1 pc	US1000094	Drain cover made from Stainless Steel with brushed finish
wedi® Linear Drain Cover SS35	1 49/64 in. x 35 3/64 in. x 33/64 in.	wedi Fundo® Linear or Linear Modular Shower Bases with 35 7/16 inch drain channels	1 pc	US1000101	Drain cover made from Stainless Steel with brushed finish
wedi® Linear Drain Cover SS43	1 49/64 in. x 42 29/32 in. x 33/64 in.	wedi Fundo® Linear or Linear Modular Shower Bases with 43 19/64 inch drain channels	1 pc	US1000085	Drain cover made from Stainless Steel with brushed finish

i For use with wedi Fundo® Linear Shower Bases or Line Modules. Consists of cover and supports. For installation heights of between 3/16 in. to 1 in. **Made in U.S.A.**

wedi Fundo® Linear Drain Cover B



Item Name	Width × Length × Height	Fits with	Unit	Item #	Description
wedi® Linear Drain Cover B27	1 49/64 in. x 27 11/64 in. x 33/64 in.	wedi Fundo® Linear or Linear Modular Shower Bases with 27 19/32 inch drain channels	1 pc	US1000090	Drain cover made from Stainless Steel with lightly brushed/buffed brass finish
wedi® Linear Drain Cover B31	1 49/64 in. x 31 7/64 in. x 33/64 in.	wedi Fundo® Linear or Linear Modular Shower Bases with 31 1/2 inch drain channels	1 pc	US1000096	Drain cover made from Stainless Steel with lightly brushed/buffed brass finish
wedi® Linear Drain Cover B35	1 49/64 in. x 35 3/64 in. x 33/64 in.	wedi Fundo® Linear or Linear Modular Shower Bases with 35 7/16 inch drain channels	1 pc	US1000103	Drain cover made from Stainless Steel with lightly brushed/buffed brass finish
wedi® Linear Drain Cover B43	1 49/64 in. x 42 29/32 in. x 33/64 in.	wedi Fundo® Linear or Linear Modular Shower Bases with 43 19/64 inch drain channels	1 pc	US1000091	Drain cover made from Stainless Steel with lightly brushed/buffed brass finish

i For use with wedi Fundo® Linear Shower Bases or Line Modules. Consists of cover and supports. For installation heights of between 3/16 in. to 1 in. **Made in U.S.A.**

wedi Fundo® Linear Drain Cover C



Item Name	Width × Length × Height	Fits with	Unit	Item #	Description
wedi® Linear Drain Cover C27	1 49/64 in. x 27 11/64 in. x 33/64 in.	wedi Fundo® Linear or Linear Modular Shower Bases with 27 19/32 inch drain channels	1 pc	US1000126	Drain cover made from Stainless Steel with polished Chrome finish
wedi® Linear Drain Cover C31	1 49/64 in. x 31 7/64 in. x 33/64 in.	wedi Fundo® Linear or Linear Modular Shower Bases with 31 1/2 inch drain channels	1 pc	US1000127	Drain cover made from Stainless Steel with polished Chrome finish
wedi® Linear Drain Cover C35	1 49/64 in. x 35 3/64 in. x 33/64 in.	wedi Fundo® Linear or Linear Modular Shower Bases with 35 7/16 inch drain channels	1 pc	US1000128	Drain cover made from Stainless Steel with polished Chrome finish
wedi® Linear Drain Cover C43	1 49/64 in. x 42 29/32 in. x 33/64 in.	wedi Fundo® Linear or Linear Modular Shower Bases with 43 19/64 inch drain channels	1 pc	US1000129	Drain cover made from Stainless Steel with polished Chrome finish

i For use with wedi Fundo® Linear Shower Bases or Line Modules. Consists of cover and supports. For installation heights of between 3/16 in. to 1 in. **Made in U.S.A.**

wedi Fundo® Linear Drain Cover T



Item Name	Width × Length × Height	Fits with	Unit	Item #	Description
wedi® Linear Drain Cover T27	1 49/64 in. x 27 11/64 in. x 33/64 in.	wedi Fundo® Linear or Linear Modular Shower Bases with 27 19/32 inch drain channels	1 pc	US1000086	Drain cover made from Stainless Steel with tileable finish
wedi® Linear Drain Cover T31	1 49/64 in. x 31 7/64 in. x 33/64 in.	wedi Fundo® Linear or Linear Modular Shower Bases with 31 1/2 inch drain channels	1 pc	US1000097	Drain cover made from Stainless Steel with tileable finish
wedi® Linear Drain Cover T35	1 49/64 in. x 35 3/64 in. x 33/64 in.	wedi Fundo® Linear or Linear Modular Shower Bases with 35 7/16 inch drain channels	1 pc	US1000104	Drain cover made from Stainless Steel with tileable finish
wedi® Linear Drain Cover T43	1 49/64 in. x 42 29/32 in. x 33/64 in.	wedi Fundo® Linear or Linear Modular Shower Bases with 43 19/64 inch drain channels	1 pc	US1000087	Drain cover made from Stainless Steel with tileable finish

i For use with wedi Fundo® Linear Shower Bases or Line Modules. Consists of cover and set of supports. For tile installation heights of between 3/16 in. to 1 in. reverse for thinner or thicker tile. **Made in U.S.A.**

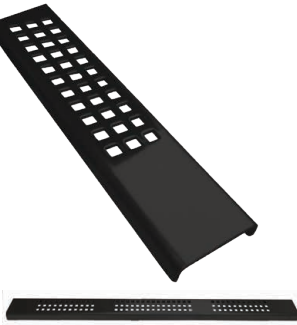
wedi Fundo® Linear Drain Cover CP



i For use with wedi Fundo® Linear Shower Bases or Line Modules. Consists of cover and supports. For installation heights of between 3/16 in. to 1 in. **Made in U.S.A.**

Item Name	Width × Length × Height	Fits with	Unit	Item #	Description
wedi Fundo® Linear Drain Cover CP27	1 49/64 in. x 27 11/64 in. x 33/64 in.	wedi Fundo® Linear or Linear Modular Shower Bases with 27 19/32 inch drain channels	1 pc	US1000108	Drain cover made from Stainless Steel with polished Chrome finish and perforated design
wedi Fundo® Linear Drain Cover CP31	1 49/64 in. x 31 7/64 in. x 33/64 in.	wedi Fundo® Linear or Linear Modular Shower Bases with 31 1/2 inch drain channels	1 pc	US1000112	Drain cover made from Stainless Steel with polished Chrome finish and perforated design
wedi Fundo® Linear Drain Cover CP35	1 49/64 in. x 35 3/64 in. x 33/64 in.	wedi Fundo® Linear or Linear Modular Shower Bases with 35 7/16 inch drain channels	1 pc	US1000116	Drain cover made from Stainless Steel with polished Chrome finish and perforated design
wedi Fundo® Linear Drain Cover CP43	1 49/64 in. x 42 29/32 in. x 33/64 in.	wedi Fundo® Linear or Linear Modular Shower Bases with 43 19/64 inch drain channels	1 pc	US1000120	Drain cover made from Stainless Steel with polished Chrome finish and perforated design

wedi Fundo® Linear Drain Cover MBP



i For use with wedi Fundo® Linear Shower Bases or Line Modules. Consists of cover and supports. For installation heights of between 3/16 in. to 1 in. **Made in U.S.A.**

Item Name	Width × Length × Height	Fits with	Unit	Item #	Description
wedi Fundo® Linear Drain Cover MBP27	1 49/64 in. x 27 11/64 in. x 33/64 in.	wedi Fundo® Linear or Linear Modular Shower Bases with 27 19/32 inch drain channels	1 pc	US1000109	Drain cover made from Stainless Steel with Matte Black finish, and perforated design
wedi Fundo® Linear Drain Cover MBP31	1 49/64 in. x 31 7/64 in. x 33/64 in.	wedi Fundo® Linear or Linear Modular Shower Bases with 31 1/2 inch drain channels	1 pc	US1000113	Drain cover made from Stainless Steel with Matte Black finish, and perforated design
wedi Fundo® Linear Drain Cover MBP35	1 49/64 in. x 35 3/64 in. x 33/64 in.	wedi Fundo® Linear or Linear Modular Shower Bases with 35 7/16 inch drain channels	1 pc	US1000117	Drain cover made from Stainless Steel with Matte Black finish, and perforated design
wedi Fundo® Linear Drain Cover MBP43	1 49/64 in. x 42 29/32 in. x 33/64 in.	wedi Fundo® Linear or Linear Modular Shower Bases with 43 19/64 inch drain channels	1 pc	US1000121	Drain cover made from Stainless Steel with Matte Black finish, and perforated design

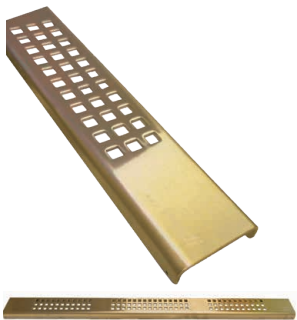
wedi Fundo® Linear Drain Cover SSP



i For use with wedi Fundo® Linear Shower Bases or Line Modules. Consists of cover and supports. For installation heights of between 3/16 in. to 1 in. **Made in U.S.A.**

Item Name	Width × Length × Height	Fits with	Unit	Item #	Description
wedi Fundo® Linear Drain Cover SSP27	1 49/64 in. x 27 11/64 in. x 33/64 in.	wedi Fundo® Linear or Linear Modular Shower Bases with 27 19/32 inch drain channels	1 pc	US1000110	Drain cover made from Stainless Steel with Natural finish, and perforated design
wedi Fundo® Linear Drain Cover SSP31	1 49/64 in. x 31 7/64 in. x 33/64 in.	wedi Fundo® Linear or Linear Modular Shower Bases with 31 1/2 inch drain channels	1 pc	US1000114	Drain cover made from Stainless Steel with Natural finish, and perforated design
wedi Fundo® Linear Drain Cover SSP35	1 49/64 in. x 35 3/64 in. x 33/64 in.	wedi Fundo® Linear or Linear Modular Shower Bases with 35 7/16 inch drain channels	1 pc	US1000118	Drain cover made from Stainless Steel with Natural finish, and perforated design
wedi Fundo® Linear Drain Cover SSP43	1 49/64 in. x 42 29/32 in. x 33/64 in.	wedi Fundo® Linear or Linear Modular Shower Bases with 43 19/64 inch drain channels	1 pc	US1000122	Drain cover made from Stainless Steel with Natural finish, and perforated design

wedi Fundo® Linear Drain Cover BP



i For use with wedi Fundo® Linear Shower Bases or Line Modules. Consists of cover and supports. For installation heights of between 3/16 in. to 1 in. **Made in U.S.A.**

Item Name	Width × Length × Height	Fits with	Unit	Item #	Description
wedi Fundo® Linear Drain Cover BP27	1 49/64 in. x 27 11/64 in. x 33/64 in.	wedi Fundo® Linear or Linear Modular Shower Bases with 27 19/32 inch drain channels	1 pc	US1000111	Drain cover made from Stainless Steel with brushed Brass finish, and perforated design
wedi Fundo® Linear Drain Cover BP31	1 49/64 in. x 31 7/64 in. x 33/64 in.	wedi Fundo® Linear or Linear Modular Shower Bases with 31 1/2 inch drain channels	1 pc	US1000115	Drain cover made from Stainless Steel with brushed Brass finish, and perforated design
wedi Fundo® Linear Drain Cover BP35	1 49/64 in. x 35 3/64 in. x 33/64 in.	wedi Fundo® Linear or Linear Modular Shower Bases with 35 7/16 inch drain channels	1 pc	US1000119	Drain cover made from Stainless Steel with brushed Brass finish, and perforated design
wedi Fundo® Linear Drain Cover BP43	1 49/64 in. x 42 29/32 in. x 33/64 in.	wedi Fundo® Linear or Linear Modular Shower Bases with 43 19/64 inch drain channels	1 pc	US1000123	Drain cover made from Stainless Steel with brushed Brass finish, and perforated design

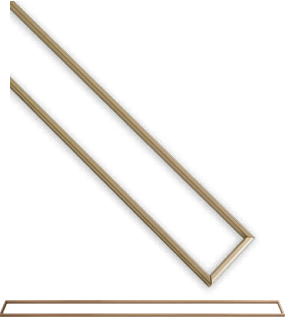
wedi Fundo® Linear Drain Cover Frame SS



i For use with wedi Fundo® Linear Shower Bases or Line Modules. Used to separate/protect tile assembly edges and transition to linear drain and drain cover. Consists of frame and support foam spacer. Made in Germany.

Item Name	Width × Length × Height	Fits with	Unit	Item #	Description
wedi Fundo® Linear Drain Cover Frame SS27	2 9/16 x 28 x 1/4 in.	wedi Fundo® Linear or Linear Modular Shower Bases with 27 19/32 inch drain channels	1 pc	676800061	Drain cover Frame trim made from Stainless Steel with brushed finish. For use with 27 inch Linear Drain Covers
wedi Fundo® Linear Drain Cover Frame SS31	2 9/16 x 32 x 1/4 in.	wedi Fundo® Linear or Linear Modular Shower Bases with 31 1/2 inch drain channels	1 pc	US1000098	Drain cover Frame trim made from Stainless Steel with brushed finish. For use with 31 inch Linear Drain Covers
wedi Fundo® Linear Drain Cover Frame SS35	2 9/16 x 35 29/32 x 1/4 in.	wedi Fundo® Linear or Linear Modular Shower Bases with 35 7/16 inch drain channels	1 pc	US1000105	Drain cover Frame trim made from Stainless Steel with brushed finish. For use with 35 inch Linear Drain Covers
wedi Fundo® Linear Drain Cover Frame SS43	2 9/16 x 43 25/32 x 1/4 in.	wedi Fundo® Linear or Linear Modular Shower Bases with 43 19/64 inch drain channels	1 pc	676800064	Drain cover Frame trim made from Stainless Steel with brushed finish. For use with 43 inch Linear Drain Covers

wedi Fundo® Linear Drain Cover Frame B

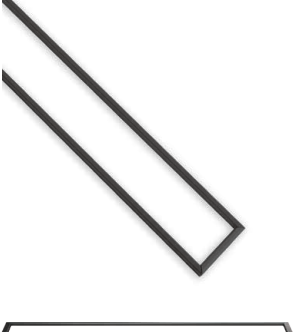


i For use with wedi Fundo® Linear Shower Bases or Line Modules. Used to separate/protect tile assembly edges and transition to linear drain and drain cover. Consists of frame and support foam spacer. Made in Germany.

i Color coatings are made in durable premium quality PVD and Ceramic coating.

Item Name	Width × Length × Height	Fits with	Unit	Item #	Description
wedi Fundo® Linear Drain Cover Frame B27	2 9/16 in. x 28 in. x 1/4 in.	wedi Fundo® Linear or Linear Modular Shower Bases with 27 19/32 inch drain channels	1 pc	US1000092	Drain cover Frame trim made from Stainless Steel with brushed finish. For use with 27 inch Linear Drain Covers
wedi Fundo® Linear Drain Cover Frame B31	2 9/16 in. x 32 in. x 1/4 in.	wedi Fundo® Linear or Linear Modular Shower Bases with 31 1/2 inch drain channels	1 pc	US1000100	Drain cover Frame trim made from Stainless Steel with brushed finish. For use with 31 inch Linear Drain Covers
wedi Fundo® Linear Drain Cover Frame B35	2 9/16 in. x 35 29/32 in. x 1/4 in.	wedi Fundo® Linear or Linear Modular Shower Bases with 35 7/16 inch drain channels	1 pc	US1000107	Drain cover Frame trim made from Stainless Steel with brushed finish. For use with 35 inch Linear Drain Covers
wedi Fundo® Linear Drain Cover Frame B43	2 9/16 in. x 43 25/32 in. x 1/4 in.	wedi Fundo® Linear or Linear Modular Shower Bases with 43 19/64 inch drain channels	1 pc	US1000093	Drain cover Frame trim made from Stainless Steel with brushed finish. For use with 43 inch Linear Drain Covers

wedi Fundo® Linear Drain Cover Frame MB



i For use with wedi Fundo® Linear Shower Bases or Line Modules. Used to separate/protect tile assembly edges and transition to linear drain and drain cover. Consists of frame and support foam spacer. Made in Germany.

Item Name	Width × Length × Height	Fits with	Unit	Item #	Description
wedi Fundo® Linear Drain Cover Frame MB27	2 9/16 in. x 28 in. x 1/4 in.	wedi Fundo® Linear or Linear Modular Shower Bases with 27 19/32 inch drain channels	1 pc	US1000088	Drain cover Frame trim made from Stainless Steel with matte black finish. For use with 27 inch Linear Drain Covers
wedi Fundo® Linear Drain Cover Frame MB31	2 9/16 in. x 32 1/4 in. x 1/4 in.	wedi Fundo® Linear or Linear Modular Shower Bases with 31 1/2 inch drain channels	1 pc	US1000099	Drain cover Frame trim made from Stainless Steel with matte black finish. For use with 31 inch Linear Drain Covers
wedi Fundo® Linear Drain Cover Frame MB35	2 9/16 in. x 35 29/32 in. x 1/4 in.	wedi Fundo® Linear or Linear Modular Shower Bases with 35 7/16 inch drain channels	1 pc	US1000106	Drain cover Frame trim made from Stainless Steel with matte black finish. For use with 35 inch Linear Drain Covers
wedi Fundo® Linear Drain Cover Frame MB43	2 9/16 in. x 43 25/32 in. x 1/4 in.	wedi Fundo® Linear or Linear Modular Shower Bases with 43 19/64 inch drain channels	1 pc	US1000089	Drain cover Frame trim made from Stainless Steel with matte black finish. For use with 43 inch Linear Drain Covers

wedi Fundo® Linear Drain Cover Frame C



i For use with wedi Fundo® Linear Shower Bases or Line Modules. Used to separate/protect tile assembly edges and transition to linear drain and drain cover. Consists of frame and support foam spacer. Made in Germany.

Item Name	Width × Length × Height	Fits with	Unit	Item #	Description
wedi Fundo® Linear Drain Cover Frame C27	2 9/16 in. x 28 in. x 1/4 in.	wedi Fundo® Linear or Linear Modular Shower Bases with 27 19/32 inch drain channels	1 pc	US1000130	Drain cover Frame trim made from Stainless Steel with polished Chrome finish. For use with 27 inch Linear Drain Covers
wedi Fundo® Linear Drain Cover Frame C31	2 9/16 in. x 32 in. x 1/4 in.	wedi Fundo® Linear or Linear Modular Shower Bases with 31 1/2 inch drain channels	1 pc	US1000131	Drain cover Frame trim made from Stainless Steel with polished Chrome finish. For use with 31 inch Linear Drain Covers
wedi Fundo® Linear Drain Cover Frame C35	2 9/16 in. x 35 in. x 1/4 in.	wedi Fundo® Linear or Linear Modular Shower Bases with 35 7/16 inch drain channels	1 pc	US1000132	Drain cover Frame trim made from Stainless Steel with polished Chrome finish. For use with 35 inch Linear Drain Covers
wedi Fundo® Linear Drain Cover Frame C43	2 9/16 in. x 43 in. x 1/4 in.	wedi Fundo® Linear or Linear Modular Shower Bases with 43 19/64 inch drain channels	1 pc	US1000133	Drain cover Frame trim made from Stainless Steel with polished Chrome finish. For use with 43 inch Linear Drain Covers

Installation at a Glance:

Linear Drain Cover



Tileable Linear Drain Cover



Linear Drain Cover Frame:



wedi® Shower Niche Shelves

Product Image	Item Name	Width × Length × Height	Material	Unit	Item #	Description
	wedi® Shower Niche Shelf Glass	11 7/8 x 3 1/2 x 3/8 in.	Tempered glass	1 pc	US3000050	Solid Niche Shelf made from low iron, clear safety glass with pencil polish finish front
	wedi® Shower Niche Shelf Stainless Steel	11 7/8 x 3 1/2 x 1/8 in.	Stainless steel, brushed	1 pc	US3000245	Slotted Niche Shelf with made from stainless steel with brushed finish
	wedi® Shower Niche Shelf Matte Black	11 7/8 x 3 1/2 x 1/8 in.	Aluminum, anodized in matte black	1 pc	US3000246	Slotted Niche Shelf made from aluminum with Matte Black finish



i For integration into prefabricated wedi® Shower Niches with 12-inch-wide openings. The shelves are made from 3/8-inch-thick, low-iron, fully-tempered clear safety glass; 1/8 inch thick 304 stainless steel brushed; or 1/8 inch aluminum anodized in matte black. These shelves may be installed to rest on vertical tiles installed on sides and back inside the niches. Clear silicone or grout color matching expansion joint material (sealant/caulk) should be used in joints between shelves and tile. It is recommended to protect the shelves with temporary tape to avoid these materials getting on shelf surfaces that will be visible later. **Made in U.S.A.**

wedi Fundo® Shower Kits

wedi Fundo® Shower Kit ■ Complete waterproofing system for tiled shower floors with center or off-center point drain



Drain location	Size of Base Included	Unit	Item #
Center Drain	36 x 36 in.	1 kit	US2000002
Center Drain	36 x 48 in.	1 kit	US2000009
Center Drain	36 x 60 in.	1 kit	US2000003
Center Drain	36 x 72 in.	1 kit	US2000001
Off-Center Drain	36 x 72 in.	1 kit	US2000008
Center Drain	42 x 42 in.	1 kit	US2000015
Center Drain	42 x 60 in.	1 kit	US2000013
Center Drain	42 x 72 in.	1 kit	US2000014
Center Drain	48 x 48 in.	1 kit	US2000010
Center Drain	48 x 60 in.	1 kit	US2000011
Center Drain	48 x 72 in.	1 kit	US2000012

i Our complete shower kits offer added convenience as well as additional savings when compared to purchasing individual products.

wedi® Drain Cover Stainless Steel included, select other drain covers are sold separately. Assembled in U.S.A. from content **made in U.S.A.** and Germany.

Each kit includes:

- wedi Fundo® shower base in selected size
- wedi® Building Panels to cover three shower walls (one long side, two short side walls) up to 80 inches tall
- wedi® Fundo Click and Seal® drain unit
- wedi® Fundo Drain Cover SS (Stainless Steel)
- 10.5 oz cartridges of wedi® Joint Sealant
- wedi Fundo® Shower Curb Lean
- wedi® Fastener Kit (1 screws/washers 100 count box)
- wedi® Corner Putty Knife
- wedi® Subliner Dry or wedi® S-DRY™ Mixing Valve Collar
- wedi® Subliner Dry or wedi® S-DRY™ Pipe Seal

wedi Fundo® Shower Kit NOJS ■ wedi® Joint Sealant sold separately



Drain location	Size of Base Included	Unit	Item #
Center Drain	36 x 36 in.	1 kit	US2100001
Center Drain	36 x 48 in.	1 kit	US2100002
Center Drain	36 x 60 in.	1 kit	US2100004
Center Drain	36 x 72 in.	1 kit	US2100007
Off-Center Drain	36 x 72 in.	1 kit	US2100010
Center Drain	42 x 42 in.	1 kit	US2100005
Center Drain	42 x 60 in.	1 kit	US2100006
Center Drain	42 x 72 in.	1 kit	US2100008
Center Drain	48 x 48 in.	1 kit	US2100003
Center Drain	48 x 60 in.	1 kit	US2100011
Center Drain	48 x 72 in.	1 kit	US2100009

i These kits do not contain wedi® Joint Sealant (can be purchased separately - see Installation Accessories)
Assembled in U.S.A. from content **made in U.S.A.** and Germany.

wedi Fundo® Curbless Shower Kits

wedi Fundo® Curbless Shower Kit ■ Complete waterproofing system for tiled curbless showers with center or off-center point drain



Drain location	Size of Base Included	Unit	Item #
Center Drain	36 in. x 48 in.	1 kit	US2000065
Center Drain	36 in. x 60 in.	1 kit	US2000060
Offset Drain	36 in. x 60 in.	1 kit	US2000066
Center Drain	42 in. x 42 in.	1 kit	US2000063
Center Drain	48 in. x 48 in.	1 kit	US2000067
Center Drain	48 in. x 60 in.	1 kit	US2000061
Center Drain	48 in. x 72 in.	1 kit	US2000064

i Each kit includes :

- pre-sloped shower base in selected size
- wedi® Building Panels to cover three shower walls (one long side, two short side walls) up to 80 inches tall
- wedi® Fundo Click and Seal® drain unit
- wedi® Fundo Drain Cover SS (Stainless Steel)
- 10.5 oz cartridges of wedi® Joint Sealant
- 10.5 oz cartridges of wedi® Sealant 620
- wedi® Subliner Dry or wedi® S-DRY™ 53 ft²
- wedi® Subliner Dry or wedi® S-DRY™ Outside Corners
- wedi® Fastener Kit (1 screws/washers 100 count box)
- wedi® Corner Putty Knife
- wedi® Subliner Dry or wedi® S-DRY™ Mixing Valve Collar
- wedi® Subliner Dry or wedi® S-DRY™ Pipe Seal

i Our complete shower kits offer added convenience as well as additional savings when compared to purchasing individual products.

wedi® Drain Cover Stainless Steel included, select other drain covers are sold separately. Assembled in U.S.A. from content **made in U.S.A.** and Germany.

wedi Fundo® Curbless Shower Kit NOJS ■ wedi® Joint Sealant and S-DRY™ SEAL sold separately



Drain location	Size of Base Included	Unit	Item #
Center Drain	36 in. x 48 in.	1 kit	US2100017
Center Drain	36 in. x 60 in.	1 kit	US2100012
Off-Center Drain	36 in. x 60 in.	1 kit	US2100018
Center Drain	42 in. x 42 in.	1 kit	US2100013
Center Drain	48 in. x 48 in.	1 kit	US2100019
Center Drain	48 in. x 60 in.	1 kit	US2100014
Center Drain	48 in. x 72 in.	1 kit	US2100016

i These Kits do not contain wedi® Joint Sealant or wedi® S-DRY™ SEAL (needs to be purchased separately - see installation accessories)

Assembled in U.S.A. from content **made in U.S.A.** and Germany.

wedi Fundo® Linear Shower Kit ■ Waterproofing System for tiled showers with a with a close-to-wall linear drain



Base type	Size of Base Included	Unit	Item #
Linear Drain Shower System	wedi® Linear Drain Module and Extension Module for a 32 in. x 72 in. shower space	1 kit	US2000062

Each kit includes:

- wedi Fundo® Linear Drain Shower Module 32"
- wedi Fundo® Linear Drain Shower Extension 32"
- wedi® Building Panels to cover three shower walls (one long side, two short side walls) up to 80 inches tall
- wedi Fundo® Click and Seal® drain unit
- wedi® Linear Drain Cover SS27
- 10.5 oz cartridges of wedi® Joint Sealant
- wedi Fundo® Shower Curb Lean
- wedi® Fastener Kit (1 screws/washers 100 count box)
- wedi® Corner Putty Knife
- wedi® Subliner Dry or wedi® S-DRY™ Mixing Valve Collar
- wedi® Subliner Dry or wedi® S-DRY™ Pipe Seal

Our complete shower kits offer added convenience as well as additional savings when compared to purchasing individual products.

wedi® Drain Cover SS27 Steel included, select other drain covers are sold separately. Assembled in U.S.A. from content **made in U.S.A.** and Germany.

wedi Fundo® Linear Shower Kit NOJS ■ wedi® Joint Sealant sold separately



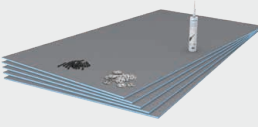
Base type	Size of Base Included	Unit	Item #
Linear Drain Shower System	wedi® Linear Drain Module and Extension Module for a 32 in. x 72 in. shower space	1 kit	US2100015

These kits do not contain wedi® Joint Sealant (needs to be purchased separately - see Installation Accessories).

Assembled in U.S.A. from content **made in U.S.A.** and Germany.

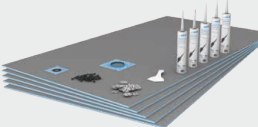
wedi® Building Panel Kits


wedi® Flooring Panel Kit

Product Image	Item Name	Kit Contents	Unit	Item #	Description
	wedi® Flooring Panel Kit	includes (5) wedi® Building Panel 24"x48"x1/4" (1) wedi® Joint Sealant Cartridge (40) wedi® Tabless Washers and wood screws	1 kit	US4000002	40 sft tile underlayment kit for waterproof flooring installations

 For bathroom floors as waterproof underlayment for tile. Especially for use with electric floor warming systems. Assembled in U.S.A. from content **made in U.S.A.** and Germany.

wedi® Tub & Shower Wall Kit

Product Image	Item Name	Kit Contents	Unit	Item #	Description
	wedi® Tub and Shower Wall Kit	includes (5) wedi® Building Panel 36"x60"x1/2" (5) wedi® Joint Sealant Cartridges (1) wedi® Subliner Dry Pipe Seal (1) wedi® Subliner Dry Mixing Valve Seal (1) wedi® Corner Putty Knife (1) wedi® Fastener Kit	1 kit	US4000001	To build a tileable and waterproof wall surround in showers. Use with wedi® projects or with prefabricated acrylic or stone shower floor bases, tubs, or in mortar bed installations.

 For waterproof tub surrounds or shower wall surrounds. **Made in U.S.A.** and Germany.

Premium Quality and Maximum Performance in Almost All Situations

The wedi System for membrane based showers. Can be purchased as a complete kit to build a tiled shower or individually for custom applications. The product line includes kits, showers bases, curbs, extensions, membranes, tapes, and wedi® S-DRY™ SEAL.

The wedi® S-DRY™ Shower Systems are great for projects where:



You have existing backer boards or drywall that is already in place.



You need fast turnaround and budget control.



You have new construction, production builds or commercial projects requiring drywall or cement board surfaces or floors for fire or sound proofing purposes.



You would like to receive an upgrade from standard liquid applied surface waterproofing membranes prone to pinholes.

Key Points:

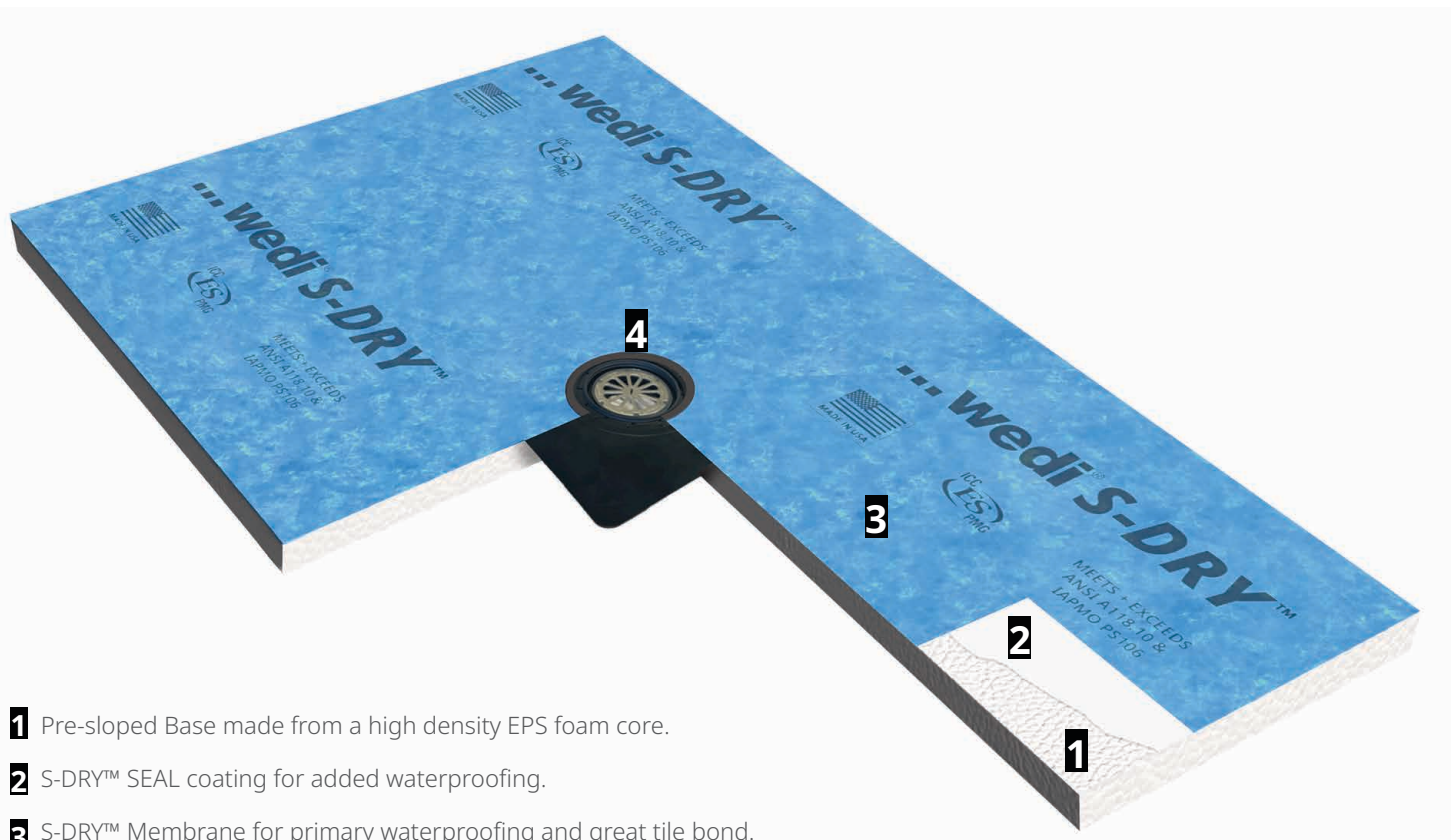
- Membrane-based waterproofing – quick to roll out and install.
- Sealed with wedi® S-DRY™ SEAL instead of thinset.
- Lightweight, flexible, easy to transport.
- Cost-effective – no need to replace existing wall surfaces.
- Can be parcel shipped.
- Fully integrated and waterpoofed drain that connects to ABS, PVC, Cast iron and Copper waste pipes. The S-DRY™ drain is designed with a low profile installation depth of 3/4 in. to avoid floor joists running close to the waste pipe lines. Installer can work from surface to make the connection to the waste pipe which is cut flush with the subfloor surface.
- High point load resistant shower base surfaces allowing for use of large or small format tile and stone.
- S-DRY™ surface membrane is the shower base's primary waterproofing and bond surface, but it is adhered to the foam core with S-DRY™ SEAL providing a secondary, waterproof layer.
- Covered by wedi's Warranty options up to the unique Limited Lifetime Warranty.
- Full service and support in the field.
- Made in the U.S.A.

What would you like a wedi® S-DRY™ system to do for your business or home?

- ✓ Competitive high performance and quality sheet membrane based shower system and bonding flange drains for every custom tiled shower project.
- ✓ More flexibility: waterproof over drywall, cement board, or mortar bed installations.
- ✓ Products and installation system make the full assembly waterproof, vapor retardant and naturally mold-resistant and protective.
- ✓ Easily create curbless showers by recessing into a subfloor structure (shower base is only 1 1/8" to 1 3/8" thin depending on model, consider using wedi's Curbless Recess Kit), or use with wedi® S-DRY™ Curbs or Extensions.
- ✓ Easily build steam showers and enjoy S-DRY's water and vapor proofing capability in the product, assembly method, and process.
- ✓ Designed for value: best in class product systems helping you balance material cost savings, efficient installation, and product performance goals. Backed up by wedi's unique industry leading installation assistance and certification program for professionals.
- ✓ Enjoy either a 10-Year, 15-Year or Lifetime Limited Warranty that protects what matters most to homeowners and builders.
- ✓ Made in the U.S.A.

...wedi® S-DRY™ Shower System

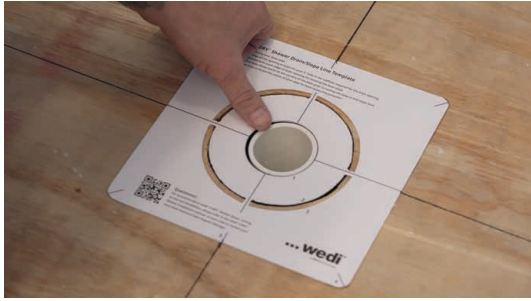
Made especially for builders and contractors who work in residential construction and commercial project construction, the wedi® S-DRY™ system is made by the leading manufacturer of shower systems with factories in the U.S.A. and Germany bringing you more than 40 years of experience as the innovation and quality leader in the industry.



- 1** Pre-sloped Base made from a high density EPS foam core.
- 2** S-DRY™ SEAL coating for added waterproofing.
- 3** S-DRY™ Membrane for primary waterproofing and great tile bond.
- 4** S-DRY™ Drain with wedi® Fundo Click and Seal® technology, fully integrated, reinforced and waterproofed.

Product Highlights

The wedi® S-DRY™ Shower base is waterproofed and features a durable surface allowing for small and large size tile finishes. What's more, the shower base is insulating, light but very dense, and easy to cut and customize with a utility knife.



Easy to connect to waste pipes cut flush to the sub floor surface using the wedi® S-DRY™ Shower Drain/Slope line template.

Connections are easily made from surface to a PVC, ABS, Cast iron or Copper pipe. The wedi® drain does not reach deep enough to interfere with floor joists, giving you great flexibility.



The cutting of the S-DRY™ base is done with just a utility knife and straight edge and is dust free. The bases are oversized for flexibility.



Wall membrane installation can be done with wedi® S-DRY™ and wedi® S-DRY™ XL. Seams can be taped or overlapped and actively waterproofed and bonded with wedi® S-DRY™ SEAL.



Flood test or tile installation can commence just 6 hours after completing the wedi® S-DRY™ installation. wedi® S-DRY™ can be used with large or small format tile and stone.

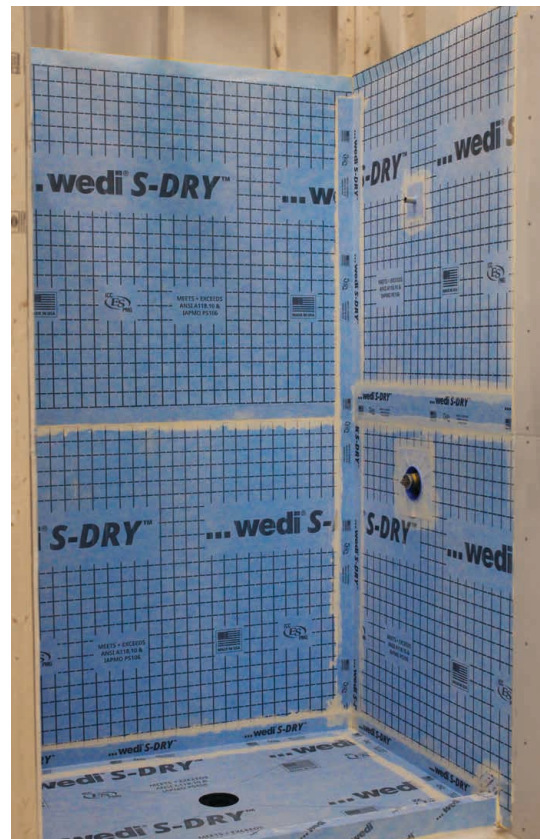


Use wedi® S-DRY™ BFD in mortar bed shower floor assemblies and benefit from all S-DRY™ drain features.

Installing ...wedi® S-DRY™ Shower Systems

...wedi® S-DRY™ Installation Manual

This installation manual will give you step-by-step instructions on how to install wedi® S-DRY™ Showers.



Did you know?

You can also use wedi® S-DRY™ with wedi® Building Panel when going directly over wall framing, or add wedi® Shower Niches, wedi® shower benches and more and use wedi® S-DRY™ SEAL and S-DRY™ tape to cover seams and S-DRY™ SEAL to cover over fastener points.

Step-by-step Installation

Recommended Tools, Equipment and Materials

Thinset Tile Adhesive Mortar Requirements:

wedi® PRO-SET™ mortar or similar tile adhesive mortar meeting ANSI A118.4 or better.

Seam Sealing Requirements:

Use wedi® S-DRY™ SEAL to apply S-DRY™ Tape to all seams and overlaps as needed.

Tools:

- 1/2 in. x 1/2 in. Square notch thinset adhesive trowel
- 1/8 in. x 1/8 in. or 1/4 in. x 3/16 in. V notch thinset adhesive trowel
- Scissors
- Utility knife
- Flat wood or plastic float
- Two 6 in. flat trowels (plastic) and wedi® S-DRY™ Trowels
- Margin trowel
- Flat head screwdriver
- Jig saw or 5 in. hole saw
- Level
- Handsaw or inside pipe cutter
- Straight edge
- Measuring tape and black marker
- Paper towels
- Thinset mortar mixer
- Buckets

Project Site Preparation



Subfloor is stable and load bearing, flat and level, and meets deflection criteria of minimum L/360 as per IRC. Wooden or concrete structural substrates are dry and sufficiently load bearing considering live and dead load.

You can install the wedi® S-DRY™ Shower base to concrete or wooden subfloors. You can install the wedi® S-DRY™ membrane to drywall, cement board or other suitable substrates prepared to bond with thinset mortar.

Wood and steel framing and drywall/backerboard panels are sufficiently load-bearing, even, level, and square. Ensure the wall panels are securely fastened and are designed or prepared to receive a tile finish and bond well with thinset mortar.

Floor drain assembly below floor is stabilized, fixed and supported in position, and will not sink under water load. Waste pipe is level and plumb.

If installing a curbless shower please consider using the wedi® Curbless Recess Kit which will help you recess a standard 23/32" Plywood subfloor in between and flush with 16 o.c. spaced solid or engineered floor joists. Once installed in thinset mortar, the wedi® S-DRY™ shower base (if you choose a model with 1 1/8" perimeter thickness) will reach out of the recess by approx. 1/2" to 9/16". You would want to ensure that the adjacent bathroom floor is covered with a tile underlayment and surfaces allowing for a waterproofed and flush transition into the shower base area.

Follow all applicable building codes and industry guidelines.



Cut wedi® S-DRY™ membrane to size prior to mixing of thinset adhesive using scissors or a utility knife.

Note:

Before cutting wedi® S-DRY™ membrane, consider whether seams are constructed by overlapping the edges of the S-DRY™ membrane 2" (50 mm) at the designated overlap areas or by abutting the edges and covering the joint with wedi® S-DRY™ Tape using wedi® S-DRY™ SEAL, which are both wedi® approved techniques.



If installing directly over framing, you can use a wedi® Building Panel and install these first. No Joint Sealant is needed to connect or seal the wall panels at seams or over fastener points. They are installed butted tightly with wedi® fasteners placed at a rate of one every 12 inches and in between panels. The S-DRY™ shower base is later installed tight against the panels and S-DRY™ tape and prefabricated S-DRY™ corners are installed over all seams and fully embedded in S-DRY™ SEAL. Fastener points are later covered with S-DRY™ SEAL, covering 1 inch past the metal.

If any wedi Joint Sealant is used between Building Panel connections please remove any squeezed out sealant prior to applying S-DRY™ SEAL and S-DRY™ Tape. S-DRY™ SEAL does not adhere well to wedi Joint Sealant.



Naturally tapered drywall seams should be prepared using wedi® PRO-SET™ or appropriate patching material to ensure finished membrane is installed over flat substrate.

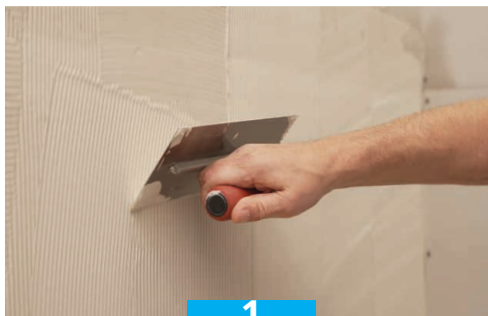


If drywall seams are covered with drywall compound, a PVA primer must be used before installing wedi® S-DRY™ Membrane. If no compound is present, use a moist sponge to wet drywall or CBU.

Note:

wedi® PRO-SET™ or suitable modified thinset mortar meeting ANSI A118.4 or better is used to adhere wedi® S-DRY™ Membrane and wedi® S-DRY™ Base.

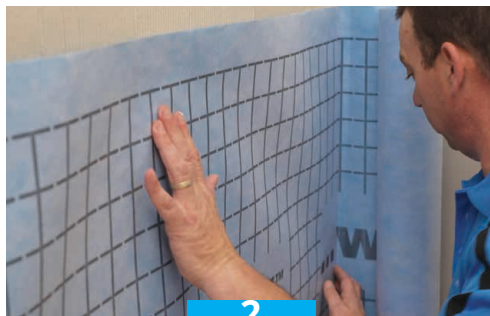
Installing ...wedi® S-DRY™ on shower walls



1

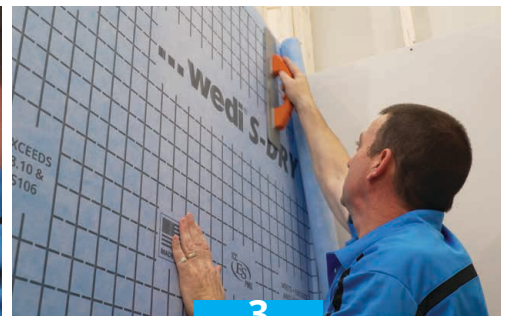
Apply wedi® PRO-SET™ mortar first by using the flat side of the trowel to key in the mortar to the substrate. Then use the notched side of the trowel to apply mortar to the substrate using a 1/4" x 3/16" (6 x 5 mm) V-notched or 1/8" x 1/8" (3 x 3 mm) square notched trowel.

(Note the open time of the mortar).



2

Press wedi® S-DRY™ membrane, print side out, fully into the bond coat.



3

Work the wedi® S-DRY™ membrane into the mortar by applying pressure to the membrane with the flat side of a wood, rubber or plastic float in smooth, diagonal sweeps.

Air bubbles must be avoided. Apply pressure to smooth out thinset ridges, leaving a consistent layer of thinset for coverage and support purposes.

Installing the ...wedi® S-DRY™ Shower Base



4

Cut a 5" hole in the substrate for the drain outlet and waste pipe using the template provided to mark the hole. If pipe is in place, use center hole of template to slide over 2" pipe. Using the inside diameter of the larger hole, mark your 5" hole on the subfloor. Proceed to cut the hole using a jigsaw or multitool.

The 2" waste pipe should be installed centered on the 5" hole in the subfloor. Waste pipe must be securely fastened to adjacent framing to avoid any movement. Waste pipe must be cut flush with the top of the subfloor. Best practice is to use a multitool or inside pipe cutter to accomplish the cut on the waste pipe.



6A

To determine the distance between the center of the 2" pipe to all walls and where you plan to have the inside of your S-DRY™ Curb, use the template provided. The center lines of the 2" pipe can be found by aligning the template over the waste pipe using the center hole, being sure that the template is square to all walls. Use the lines (marked 5) on the template to align a straight edge to mark your center lines of the 2" pipe. Mark a line on the subfloor. Repeat this step to find the perpendicular center line. Using these lines, measure to the walls and curb.

Transfer measurements to shower base and draw connecting lines, which are the lines to cut through.



7

Once the base is trimmed to size, dry fit to ensure proper alignment.

Be sure to remove locking ring, compression spacer and sealing gasket from drain prior to installing base.

Clean the subfloor using a moist sponge.

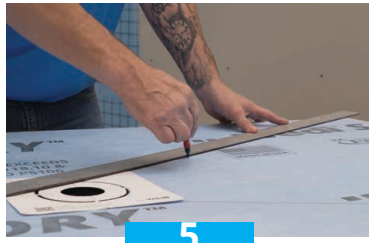


8

Be sure to fill cavities on the back of the drain hub with thinset, being careful to keep the inside of the drain hub free of any thinset.



Using the flat side of a trowel, apply a bond coat of wedi® PRO-SET™ or suitable modified thinset to the underside of the base.

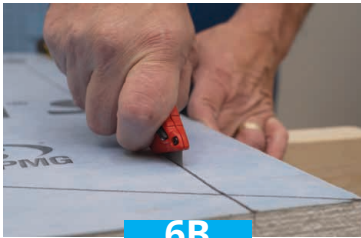


5

If installing tile requiring relief cuts at the slope lines of the base, use provided template to mark pitch lines prior to cutting. Align outer diameter of larger circle with the edge of S-Dry™ Membrane at the drain. Be sure template is square to all sides of the base. Using the lines on the four corners of the template, draw a line using a marker connecting these lines with the corner of the base.

Note:

If using smaller format tiles not requiring relief cuts, disregard step 5 and move on to step 6A/B.

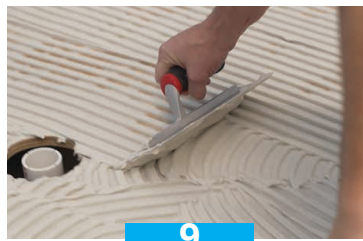


6B

Cut the base to size as needed using a utility knife and straight edge.

Cut equally on all sides to maintain a level perimeter. Alternatively, if the base is trimmed unequally on each side, the bottom course of tile may need to be scribed in order to maintain a level tile installation.

Use the center of the 2" waste pipe as a starting point to measure to the walls and curb.



9

Dampen the substrate using a wet sponge ensuring any dust and debris has been removed from subfloor surface.

Using the flat side of a 1/2" by 1/2" square notched trowel, first key in wedi® PRO-SET™ or suitable modified thinset to the substrate.

Next, use the notched side of the trowel and comb through the thinset being sure all ridges face in the same direction and parallel to the shortest side of the base. Be sure to achieve a 95% coverage of thinset mortar under the wedi® shower base once it is put in place.



10

Once thinset has been applied to the base and subfloor, set base into wet thinset being sure it is properly aligned to be tight against the walls.



11

Step in and around the entire base to compress the thinset ridges achieving proper coverage.

Clean any residual thinset from the surface of the base using a wet sponge. It is best practice to cut a piece of cardboard to cover the base for protection throughout the remainder of the installation.

Connecting the ...wedi® S-DRY™ Drain



12

Using the supplied lubricant, apply lubricant to the rubber sealing gasket.



13

Next, install the compression spacer around the waste pipe with the flat side up.

Insert the rubber sealing gasket around waste pipe and to the bottom of drain with the groove facing up.



14

Next install the locking nut with flat side facing down.

The wrench/hair catcher is inserted into center of the locking nut. Using a flat blade screwdriver, turn the wrench counter-clockwise until hand tight. This completes the watertight connection to the waste pipe. The hair catcher remains in the unit.

Installing the ...wedi® S-DRY™ Curb



15

Measure, cut and dry fit the curb. Cut the curb to length using a fine toothed handsaw, being sure the curb is situated tightly to abutting walls.



16

Apply wedi® PRO-SET™ to the underside of the curb with the flat side of the trowel.



17

Apply wedi® PRO-SET™ on the subfloor, being sure to key in the mortar as before. Then, use a 1/2" x 1/2" square notched trowel or appropriate notch trowel to achieve the required 95% thinset coverage, being sure the notches are parallel with the short width of the curb.



18

Apply thinset to the vertical edge of the shower base where the curb will be installed, being sure not to get thinset on the top of the base.

Note:
If thinset gets on the shower base membrane, be sure to wipe off immediately with a damp sponge.



19

Apply wedi® PRO-SET™ to the end of the curb using a 1/2"x1/2" square notched trowel, being sure to key in mortar to the foam as before.

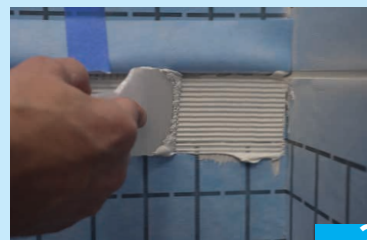


20

Install curb into thinset, being sure to achieve full coverage by shifting curb back and forth. The curb must be level alongside its length and a 2% pitch should be achieved on the curb top pointing towards the drain by shimming the outside edge of the curb using hard spacers/wedges. Once thinset has cured, remove spacers/wedges and back fill areas with thinset for full support.

If two or more sides of the shower have curbs, miter the curb corner and apply thinset between pieces using a 1/2" x 1/2" square notched trowel or appropriate notch trowel to achieve the required 95% thinset coverage.

Apply weight on and against curb to ensure tight positioning against the base while the thinset cures.



21

If covering abutting seams using wedi® S-DRY™ tape, pre-cut before mixing wedi® S-DRY™ SEAL. Once mixed, apply wedi® S-DRY™ SEAL using a 3/16" x 5/32" wedi® S-DRY™ SEAL V notch trowel or equivalent to install either a 2" overlap or S-DRY™ Tape.



22

Press the tape into the S-DRY™ SEAL using a combination of flat or corner putty knives as needed, creating full contact and coverage beneath while smoothing out to remove any trapped air.

Spread excess S-DRY™ SEAL flat at edge of joint. If you can't clearly see S-DRY™ SEAL past the perimeter of the S-DRY™ Tape once embedded, spread S-DRY™ SEAL a minimum of 1" past the edge of S-DRY™ Tape to ensure a watertight seal.



23A

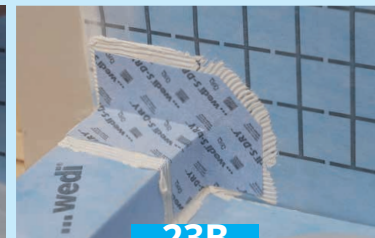


23B

Next, treat all seams at shower walls, base and curb by mixing. Then apply S-DRY™ SEAL to bond and waterproof S-DRY™ tapes and/or overlaps where applicable.

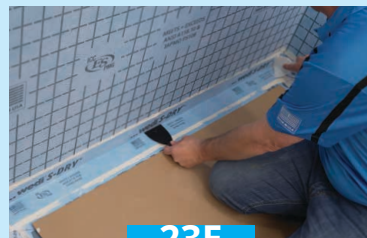


23C

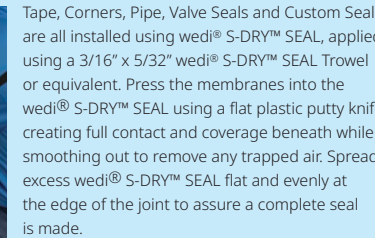


23D

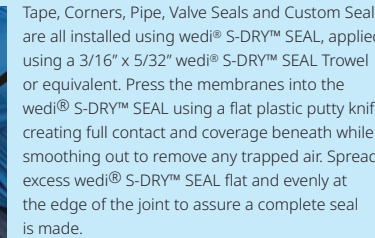
For inside and outside corners, adhere pre-formed wedi® S-DRY™ corners. For shower base/wall connections, use S-DRY™ Tape folded in half to achieve minimum of 2" overlap on the shower base as well as the wall.



23E

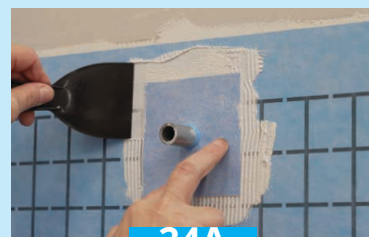


24A



24B

Tape, Corners, Pipe, Valve Seals and Custom Seals are all installed using wedi® S-DRY™ SEAL, applied using a 3/16" x 5/32" wedi® S-DRY™ SEAL Trowel or equivalent. Press the membranes into the wedi® S-DRY™ SEAL using a flat plastic putty knife creating full contact and coverage beneath while smoothing out to remove any trapped air. Spread excess wedi® S-DRY™ SEAL flat and evenly at the edge of the joint to assure a complete seal is made.



Install wedi® S-DRY™ Shower Pipe Collar at shower head, body sprays, etc. and wedi® S-DRY™ Mixing Valve Collar at the mixing valve.

When premade seals do not fit, a custom piece of S-DRY™ membrane should be cut to fit tight to penetration and extend a minimum of 2" overlap onto wall membrane.

Sealing the Wall Seams and Base

How to Mix and Apply ...wedi® S-DRY™ SEAL

Recommended Tools

For best results, mix with a ring mixing paddle and a high speed drill.

Mixing the two components (Liquid and Powder)

Pour half (16 oz) Liquid into the mixing bucket followed by one bag of Powder. Do not add any water or other additives. Mix thoroughly for 2-3 minutes and re-stir just prior to application to ensure creamy and lump free consistency.

To mix a full batch of wedi® S-DRY™ SEAL to the desired spreadable consistency, mix one part of liquid with one part of powder by volume. A full batch consists of 16 fluid oz. of powder and 16 fluid oz. of liquid, which ensures the material can be used up during its pot life.

Installing the ...wedi® S-DRY™ Drain Cover



25

Once tiling commences, insert the Alignment Ring, with threaded insert facing up, into the drain area with the notch on the ring aligned with the arrow on the drain hub.



26

Next, insert the snap ring by aligning the arrow on the top with the arrow on the drain hub and inserting the tab into the slot on the drain hub. With slight pressure applied to the Snap Ring, the remainder of the 3 tabs will snap into place, locking the alignment ring in place while allowing it to move laterally.



27A

Next, thread the Height Adjustment Collar into the Alignment Ring. Be sure to engage a minimum of one complete turn. The drain cover is then set on top of the Height Adjustment Collar.



27B



28A

To determine the finish height of the drain cover you may need to cut the height adjustment collar. Use a piece of cardboard or similar under your shower floor tile to mimic the thickness of your compressed thinset bed.



28B

Place this next to the cover and measure from the top of your tile to the top of the drain cover.

Note:

Installing a shower niche is simple, insert a wedi shower niche and cover seams to the surrounding wall using S-DRY™ tape in a full bed of S-DRY SEAL™. wedi shower benches can be added into a wedi® S-DRY™ installation by following these products standard installation steps but with seams covered with S-DRY™ tape embedded in S-DRY™ SEAL.



29

Remove the cover and the Height Adjustment Collar. Measuring from the bottom (threaded end) of the Height Adjustment Collar, cut off the amount equal to the measurement from step 28 using a fine tooth hand saw or multitool.



30

Sand any remaining tabs flat on the Height Adjustment Collar. Re-thread into the Alignment Ring to achieve the desired height to flush out with finished tile height.

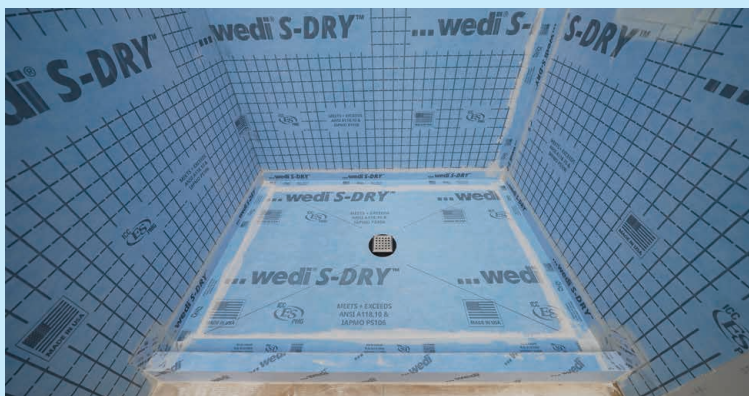
Be sure this is done prior to finished installation of tile as you will not be able to turn the drain cover once tile is installed in the area around the drain cover.

Note:

In cases where a tileable cover plate is needed, please select from available options in wedi's Fundo® product family (1/4" and 3/8" thick options available). Where these are installed, use of the Alignment Ring, Snap Ring, and Height Adjustment Collar is not required. Tileable cover is placed centered over waste pipe with the corner notches resting on the outer ring of the drain body. Once tileable cover is in place, be sure to fully fill areas around the cover with thinset prior to tile installation. This will ensure your tile is properly supported.

Also, other Premium Drain Covers from the Fundo® Shower System Drain Cover range can be used with S-DRY™ but you will need to use them with the S-DRY™ Fundo® Drain Cover Support Kit. Purchased separately.

After Installation



Make sure that shower doors and glass panels are installed tightly to contain water inside the shower. Ensure that doors are installed only to load-bearing, reinforced framing. Consider the wedi® Shower Curb AT (Anchor Track), when planning to mount glass door or panel fixtures through the curb surface using hardware or fasteners. We recommend fastening doors only at walls, thoroughly waterproofing all penetrations of the waterproofing layer (such as S-DRY™ membrane), and keeping water away from these areas by applying silicone at the door frame and connecting it to the S-DRY™ membrane.

If performing a full shower base surface flood test, test the drain first to ensure that the drain connection to the plumbing waste pipe is functioning properly and is waterproof. The full surface flood test should not exceed 24 hours. Flood testing is not required for non-absorbing products like wedi®, but it may be required by a building inspector.

When tiling commences, do not use any premixed ("mastic") tile adhesives over wedi® systems in wet-area installations. When tiling the wedi® S-DRY™ Shower Bases, including extensions, tile thickness should generally be no less than 1/8 inch thick. Be aware that wedi® S-DRY™ drain covers are 3/16 inch thick, so very thin tile must be appropriately supported by a compressed thinset

bed to reach an installation height slightly higher than the cover. Plan for a 1/4 inch overall tile installation height.

Choose tile-setting materials appropriate for the type of stone, ceramic, or glass tile, as well as for wet-area installations. Use wedi® PRO-SET where possible to enjoy the installation process, achieve superior strength, and provide your customer with added peace of mind knowing that this part of the project is also protected under the wedi® warranty.

Ceramic and stone tile must be installed in accordance with ANSI A108-A118-A136.1, details and requirements established by the Tile Council of North America, and specific manufacturer recommendations. The following recommendations are made specifically for tile installation over wedi products and supersede when in conflict with other requirements and limitations.

Tiles should have a minimum thickness of 1/8 inch (3 mm) and adequate for the application on a sloped surface in a wet environment.

The appropriate trowel size should be selected based on recommendation by manufacturers of mortar and tile and a thinset mortar coverage under the tile of 95% or greater must be achieved. It is recommended to remove factory applied mesh if this can interfere with adhesion transfer of mortar to the back of the tile or substrate. Some tiles should be back buttered. Tiles with a square size larger than 1 x 1 inches (25.4 mm x 25.4 mm) and with no side 1 inch (25.4 mm) or shorter, may be installed using a modified cement based thinset mortar in accordance with ANSI A118.4 or ANSI A118.15 and a modified cement based grout in accordance with ANSI A 118.7.

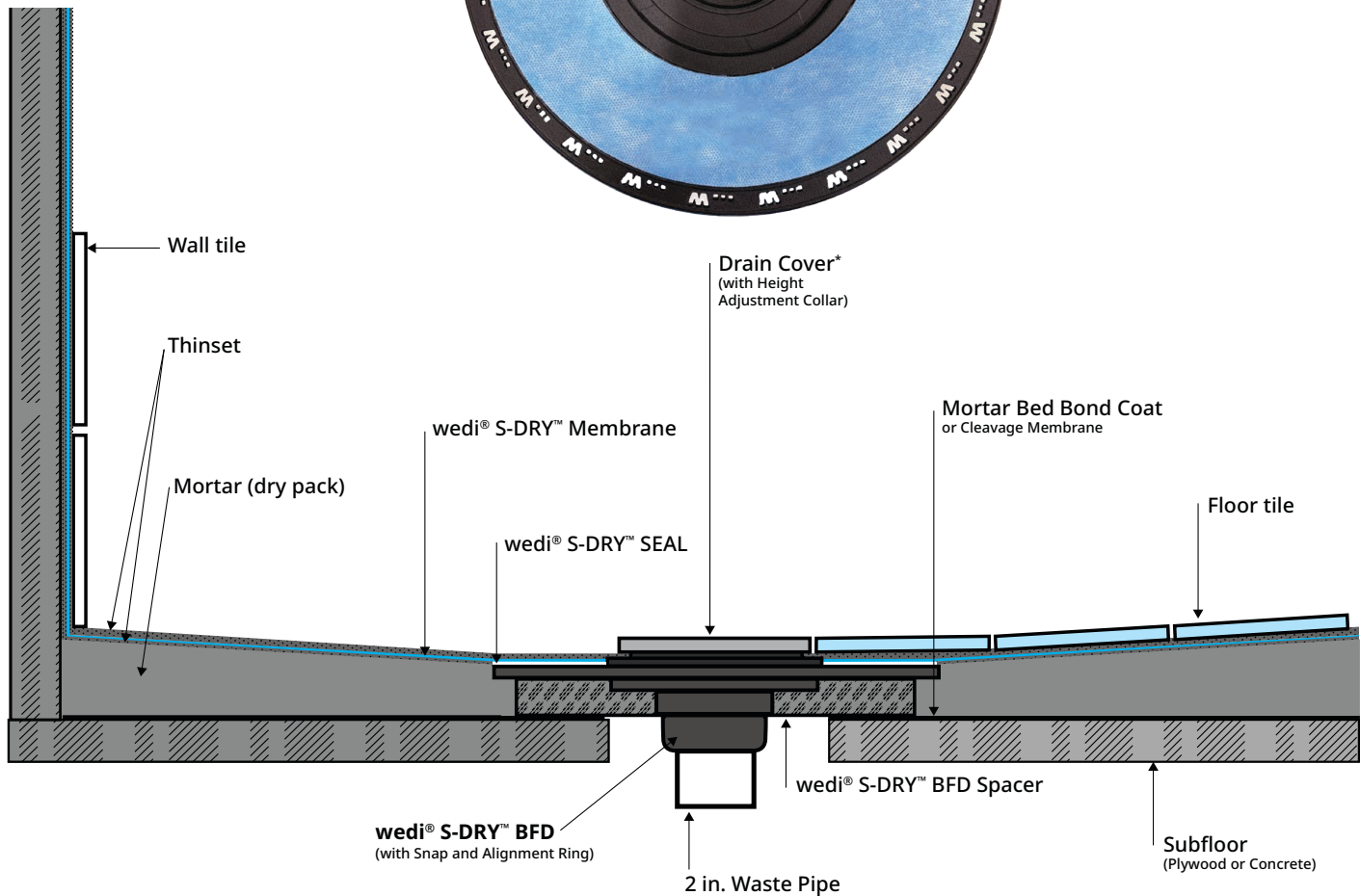
Tiles with a square size 1 x 1 inches (25.4 mm x 25.4 mm) or shorter may be installed using a combination mortar and grout made from 100% solids epoxy in accordance with ANSI A118.3.

wedi® showers that are subject to increased point loads (example: wheelchair, shower chairs) should be tiled with tiles of a square size 2 x 2 inches (50.8 mm x 50.8 mm) or larger and with no side shorter than 2 inches (50.8 mm), and should be installed using a combination mortar and grout made from 100% solids epoxy in accordance with ANSI A118.3.

...wedi® S-DRY™ Bonding Flange Drain (BFD)

BFD Installation Manual

When using the wedi® S-DRY™ Bonding Flange Drain (BFD) and wedi® S-DRY™ System Components in a mortar bed shower floor assembly.



Product Highlights

- Drain for integrated use in mortar bed shower base assemblies that are typically waterproofed with wedi® S-DRY™.
- Thermally fused membrane to bonded flange connection ensures no worries of delamination.
- Low profile height with included spacers to adjust from ½ - 1 ½ in. thickness dry pack.
- With integrated support system to stabilize drain and flange at varying installation heights.
- Drain body extends only ¾ in. into subfloor allowing it to connect to a waste pipe closely attached to a floor joist.
- Minimal thinset bed needed in drain cover area prevents moisture build up and shortens drying time.
- 2-part cementitious waterproofing compound used to adhere membrane to drain flange, eliminating potential wicking of moisture under membrane.
- Drain cover allows for 3/16 in. thin tile and up to 5/8 in. thick tile with 1/4 in. lateral adjustment in all directions to make drain to tile layout simple.

Step-by-Step Installation of the wedi[®] S-DRY™ Bonding Flange

1

Using supplied template, slide center hole (marked 1) over 2" waste pipe and use outside diameter of hole (marked 2) to mark for 5" sub floor hole cutout. Use line as guide to cut hole in sub floor using jigsaw or similar

2

Determine thickness of dry pack requirement, being sure to figure 1/4 inch per foot Slope requirement.

3

Remove the center ring of foam from the provided support. If dry pack is 3/4 inch or 1 inch, use center of foam support to cut waste pipe. If dry pack is 3/4 inch thick at drain, place foam support around 2 inch pipe on subfloor with lower circle in the 5 inch hole in the subfloor with 3/4 inch label facing up.

If dry pack is 1 inch thick, flip the foam spacer over so the 1 inch label is facing up and the foam sits flush on the subfloor. Place a thin metal trowel on top of the foam support, then use a multitool to cut the wastepipe flush with the metal trowel. If thicker dry pack is needed, additional 1/2" spacer included can be used to accommodate thicknesses from 1/2" up to 1 1/2".

Use in combination with center portion of spacer previously removed to cut pipe equal to desired dry pack thickness. If dry packs thicker than 1 1/2" are needed, additional supports will need to be made from an appropriate thickness tile underlayment like wedi panel, cement or fiber board, exterior grade plywood or similar foam material. Repeat the steps to cut wastepipe

4

Once wastepipe is cut, clean up any debris and place bonded flange drain over wastepipe and on top of the outer ring of the foam spacer and any additional spacers as needed. Lubricate the gasket with supplied lubricant and slide around wastepipe, groove side facing up to the bottom of the drain.

Next, take compression spacer with flat side facing up and slide around wastepipe until engaged with gasket. Install locking nut with flat side down, being sure to turn counterclockwise to engage threads. The wrench/hair catcher is inserted into the center of the locking nut. Using a flat blade screwdriver, turn the wrench counterclockwise until hand tight. This completes the waterproof connection to the waste pipe.

It is recommended to plug the area around the drain to keep any debris from going down the waste pipe. It is also best practice to protect the membrane on the drain while screeding your dry pack using painters tape or similar.

5

Proceed with installing dry pack to industry standards. It is important to be sure dry pack is placed under outer flange of drain ensuring flange is fully supported.

6

Once dry pack has had sufficient time to cure, cut S-DRY™ Membrane and S-DRY™ Tape to size as needed to cover entire shower floor and transition onto walls. S-DRY™ Membrane needs to extend to overlap onto the drain flange's membrane as well as extend up walls a minimum of 2in. Using supplied template, center on the drain flange and use inside diameter of hole (marked 3) to mark and cut hole for drain cutout in membrane.

7

Using wedi® PRO-SET™ mortar or equivalent, spread mortar over dry pack using 1/4" x 5/16" V-Notched or 1/8" x 1/8" square notched trowel. Be sure the thinset is engaged into the W shaped openings in the outer flange of the drain being careful to not get thinset on the drains membrane. If thinset gets on the membrane, use a damp sponge to remove any residue.

Remove any thinset from the drain membrane before moving to step 8.

8

Mix S-DRY™ SEAL according to directions and apply to membrane on flange using the S-DRY™ Trowel or equivalent. Be careful to not mix S-DRY™ SEAL with thinset on the membrane. Use a wooden or plastic float to press membrane into mortar and S-DRY™ SEAL to achieve full coverage.

9

Proceed with installing S-DRY™ tape and corners as needed using S-DRY™ SEAL to adhere.

10

Allow to dry for a minimum of 6 hours prior to flood testing or installation of tile.

11

Once tiling commences, insert the Alignment Ring, with threaded insert facing up, into the drain area with the notch on the ring aligned with the arrow on the drain hub.

Next, insert the Snap Ring by aligning the arrow on the top with the arrow on the drain hub and inserting the tab into the slot on the drain hub. With slight pressure applied to the Snap Ring, the remainder of the 3 tabs will snap into place, locking the alignment ring in place while allowing it to move laterally.

Next, thread the Height Adjustment Collar into the Alignment Ring. Be sure to engage a minimum of one complete turn. The drain cover is then set on top of the Height Adjustment Collar.

To determine the finish height of the drain cover you may need to cut the height adjustment collar. Use a piece of cardboard or similar under your shower floor tile to mimic the thickness of your compressed thinset bed.

Place this next to the cover and measure from the top of your tile to the top of the drain cover.

Remove the cover and the Height Adjustment Collar. Measuring from the bottom (threaded end) of the Height Adjustment Collar, cut off the amount equal to the measurement from step 28 using a fine tooth hand saw or multitool.

Sand any remaining tabs flat on the Height Adjustment Collar. Re-thread into the Alignment Ring to achieve the desired height to flush out with finished tile height.

Be sure this is done prior to finished installation of tile as you will not be able to turn the drain cover once tile is installed in the area around the drain cover.

Tile Installation and Flood Testing

Tile can be installed over the wedi® S-DRY™ shower installation (sealed at seams with wedi® S-DRY™ SEAL) 6-8 hours after membrane installation if used with wedi® PRO-SET™. Contact wedi® before installing resin-backed or highly absorbent tile or moisture sensitive stone.

If flood testing is required in a wedi® S-DRY™ Shower System installed with wedi® PRO-SET™, please allow 6 hours to pass after completing the wedi® S-DRY™ installation before beginning the flood test. Once the flood test is completed, drain all water and tiling may commence.

Application Data

All dry times for wedi® PRO-SET™ and wedi® S-DRY™ SEAL are calculated at 70°F (21°C). Drying time is a function of job site temperature and humidity conditions. Low substrate temperatures and/or high ambient humidity will extend the drying time. Adequate ventilation and heat will aid drying.

Application Data for ...wedi® S-DRY™ SEAL

Mixing Ratio:	Mix ratio 1:1 by volume. Use 16 oz. of powder component with 16 fl. oz of liquid component (equals half of the bottle, see indicator arrow).
Coverage:	Approx. 45 In. ft. of sealing tape / 112 In. ft. of 2" overlap seams in wedi® S-DRY™ assembly (or approx. a 36 x 60" shower with 3 walls + curb) 32 liquid oz. wedi® S-DRY™ SEAL (mix 2 batches of each 16 oz. Powder, a mixing ratio of 1:1 by volume)
Pot life:	30-45 minutes, may need to refresh by mixing.
Drying time:	Approx. 30 minutes for tack free drying and 6 hours until exposure to water (e.g. through a flood test).
Flood test:	Begin 6 hours after the installation of S-DRY™ SEAL with S-DRY™ Tape in any S-DRY™ Shower installation.
Storage:	Store in a dry area. Do not leave units exposed to sun. Store at temperature between 40 and 90°F (5 - 32°C). Do not freeze.



Application Data for wedi® PRO-SET™

Water ratio:	3 3/4 - 4 3/8 quarts (3.55L - 4.15L) of clean water per bag; or 2 1/4 parts powder: 1 part clean water by volume
Pot life:	3 hours
Open time:	Up to 30 minutes
Adjustment time:	15-20 minutes

Coverage:	<p>1/8 x 1/8" (3 mm x 3 mm) square notch trowel = 100 - 103 sq. ft. (9.29 - 9.57 m²) per bag</p> <p>1/4 x 3/16" (6 mm x 4.76 mm) V-Notch trowel = 50 - 55 sq. ft. (4.65 - 5.11 m²) per bag</p> <p>1/4 x 1/4" (6 mm x 6 mm) square notch trowel = 53 - 56 sq. ft. (4.92 - 5.20 m²) per bag</p> <p>1/4 x 3/8" (6 mm x 9 mm) square notch trowel = 34 - 37 sq. ft. (3.16 - 3.44 m²) per bag</p> <p>1/2 x 1/2" (12 mm x 12 mm) square notch trowel = 25 - 28 sq. ft. (2.3 - 2.6 m²) per bag</p> <p>Coverage is dependent on surface profile, density and porosity.</p>
Color:	White
Packaging:	25 lb (11.34 kg) bag
Installation:	To install a 36x60 S-DRY Shower System (incl. 3 walls and 1 curb) plan for approximately 2 bags of wedi® PRO-SET™.
Storage:	Store in a cool, dry area. Do not leave units exposed to sun. Protect unused material by removing air from container and sealing tightly.
Shelf life:	12 months, if unopened and properly stored
Warranty:	wedi® S-DRY™ 10-Year Limited, 15-Year Limited or Lifetime Limited Warranties available. For full warranty details, visit: wedicorp.com/wedi-warranty/

Shower Kits

...wedi® S-DRY™ Shower Kit ■ Waterproofing system for custom tiled showers with a curb unit 1 pc or curbless entry.

Product Image	Product Name	Description	Dimensions (WxLxT)	Item #
	wedi® S-DRY™ Shower Kit 38"x64"	Fully equipped building kit to construct a shower with a centered point drain.	38 in. x 64 in. x 1 1/8 in.	US2076001
	wedi® S-DRY™ Shower Kit 38"x64" OD	Fully equipped building kit to construct a shower with an off-center point drain.	38 in. x 64 in. x 1 3/8 in.	US2076002

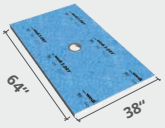
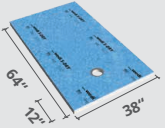
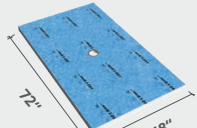
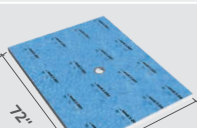
i Kits include all items needed to build a waterproof wedi® S-DRY™ Shower System with a curb. Shower Base includes factory integrated and waterproofed drain based on Fundo® Click and Seal® technology. Base can be cut to size, is unfolded and thinset mortar adhered to subfloors. Purchase wedi® S-DRY™ SEAL, a perishable product sold fresh and separately, and select your wedi® S-DRY™ Drain Cover separately. Shower bases **Made in the U.S.A.**

Each kit includes:

- 1 wedi® S-DRY™ Shower Base
- 1 wedi® S-DRY™ Shower Curb in two halves
- 1 wedi® S-DRY™ SEAL Trowel
- 2 sets of wedi® S-DRY™ Inside Corner 90
- 1 set of wedi® S-DRY™ Outside Corner 90
- 1 wedi® S-DRY™ Mixing Valve Seal
- 1 wedi® S-DRY™ Shower Pipe Collar
- 1 wedi® S-DRY™ Tape
- 1 roll of wedi® S-DRY™ Waterproof Membrane

Shower Bases

...wedi® S-DRY™ Shower Base ■ Waterproofing system for custom tiled showers with a curb unit 1 pc or curbless entry.

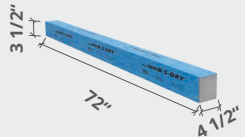
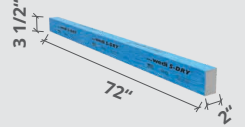
Product Image	Product Name	Drain Location	Dimensions (WxLxT)	Unit	Item #
	wedi® S-DRY™ Shower Base 38"x64"	Center Drain	38 in. x 64 in. x 1 1/8 in.	1 pc	US9176001
	wedi® S-DRY™ Shower Base 38"x64" OD	Off-Center Drain	38 in. x 64 in. x 1 3/8 in.	1 pc	US9176002
	wedi® S-DRY™ Shower Base 48"x72"	Center Drain	48 in. x 72 in. x 1 1/8 in.	1 pc	US9176003
	wedi® S-DRY™ Shower Base 72"x72"	Center Drain	72 in. x 72 in. x 1 1/8 in.	1 pc	US9176004

i With factory integrated and waterproofed drain based on Fundo® Click and Seal® technology. Base can be cut to size, is unfolded and thinset mortar adhered to subfloors. Select your wedi® S-DRY™ Drain Cover separately. Shower bases **Made in the U.S.A.**

Product Order Information

Shower Curbs

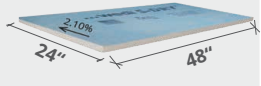
...wedi® S-DRY™ Curbs

Product Image	Product Name	Description	Dimensions (WxLxH)	Unit	Item #
	wedi® S-DRY™ Shower Curb 72	Made from a solid EPS foam core waterproofed with wedi® S-DRY™ Membrane for use in wedi® S-DRY™ Shower Systems.	4 1/2 x 3 1/2 x 72 in.	1 pc	US3076001
	wedi® S-DRY™ Shower Curb Lean 72	Made from a solid EPS foam core waterproofed with wedi® S-DRY™ Membrane for use in wedi® S-DRY™ Shower Systems.	2 x 3 1/2 x 72 in.	1 pc	US3076002

i Curbs can be installed to wedi® S-DRY™ Shower Bases with thinset mortar. Curbs are waterproofed within the wedi® S-DRY™ Shower System using wedi® S-DRY™ SEAL and wedi® S-DRY™ Inside or Outside Corners. **Made in the U.S.A.**

Extension Panels

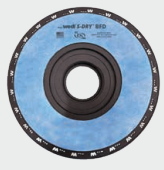
...wedi® S-DRY™ Extension ▪ Waterproof extension panel for wedi® S-DRY™ Shower Bases

Product Image	Product Name	Description	Dimensions	Item #
	wedi® S-DRY™ Extension 24x48	Sloped extensions for use with wedi® S-DRY™ Shower Base adding 24 inches of sloped surface along one 48 inch long side.	24 in. x 48 in. sloped surface begins at a height of 1 1/8 in. and ends at 1 5/8 in.	US3076003

i wedi® S-DRY™ Extension **Made in the U.S.A.**


Bonding Flange Drain (BFD)

...wedi® S-DRY™ Bonding Flange Drain ▪ For use in mortar bed assemblies waterproofed with wedi® S-DRY™

Product Image	Product Name	Description	Unit	Item #
	wedi® S-DRY™ BFD	For use in a mortar bed shower base installation. Will bring the drain 3/4 in. above the floor. Installation height may be increased using mortar.	1 pc	US9476006

i Made for use with wedi® S-DRY™ Shower System products in a mortar bed shower installation. Select your wedi® S-DRY™ Drain Cover separately. **Made in the U.S.A.**

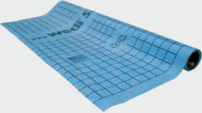
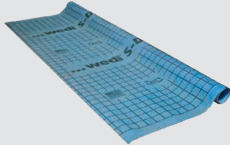
...wedi® S-DRY™ Clamping Ring Adapter

Product Image	Product Name	Description	Unit	Item #
Available Late 2026				
	wedi® S-DRY™ Clamping Ring Adapter	For use with wedi® S-DRY™ BFD when connecting to a traditional clamping ring drain.	1 pc	US9476015

i **Made in the U.S.A.**

Product Order Information





...wedi® S-DRY™ Membranes

Product Image	Product Name	Description	Dimensions (WxL)	Unit	Item #
	wedi® S-DRY™	Sheet waterproofing membrane used to cover wall surfaces and other surfaces in a wedi® S-DRY™ Shower system or over mortar bed installations.	50 in. x 25 ft. (104 ft²)	1 roll	US5076009
	wedi® S-DRY™ XL	Sheet waterproofing membrane used to cover wall surfaces and other surfaces in a wedi® S-DRY™ Shower system or over mortar bed installations.	80 in. x 16 ft. (106 ft²)	1 roll	US5076008

i Can be cut and fitted to any shower surface requiring waterproofing. Installed using wedi® PRO-SET™ to adhere to surface, and using wedi® S-DRY™ Tape to cover any seams or overlaps adhered and waterproofed using S-DRY® SEAL. **Made in the U.S.A.**


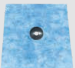
Installation Accessories

...wedi® S-DRY™ Corners

Product Image	Product Name	Description	Dimensions	Unit	Item #
	wedi® S-DRY™ Inside Corner 90	Apply to any inside corner within 36 in. of a wedi® S-DRY™ Shower Installation. Corner angle = 90°	5 in. long x 2 1/2 in. wide on either side of corner crease	2 pc/bag	US5076002
	wedi® S-DRY™ Inside Corner 135	Apply to any inside corner within 36 in. of a wedi® S-DRY™ Shower Installation. Corner angle = 135°	5 in. long x 2 1/2 in. wide on either side of corner crease	2 pc/bag	US5076001
	wedi® S-DRY™ Outside Corner 90	Apply to any outside corner within 36 in. of a wedi® S-DRY™ Shower Installation. Corner angle = 90°	5 in. long x 2 1/2 in. wide on either side of corner crease	2 pc/bag	US5076005
	wedi® S-DRY™ Outside Corner 135	Apply to any outside corner within 36 in. of a wedi® S-DRY™ Shower Installation. Contains a left and right side corner. Corner angle = 135° Includes 1 left and 1 right corner	5 in. long x 2 1/2 in. wide on either side of corner crease	2 pc/bag	US5076004

i Made from wedi® S-DRY™ Membrane. Used to waterproof corner seams near walls, floors, shower bases, curbs, or other add ons such as seat structures (use 135 Degree Corners left and right for corner seats). Installed using wedi® S-DRY™ SEAL. **Made in the U.S.A.**


...wedi® S-DRY™ Pipe Collars

Product Image	Product Name	Description	Unit	Item #
	wedi® S-DRY™ Mixing Valve Collar	Mixing valve collar for sealing around a mixing valve in a wedi® S-DRY™ Shower System. Includes a 4 1/2 in. flexible, rubberized opening to fit around the mixing valve.	1 pc	US5076003
	wedi® S-DRY™ Shower Pipe Collar	Pipe collar for sealing around 1/2 in. to 3/4 in. shower pipe protrusions a wedi® S-DRY™ Shower System. Includes a 3/8 in. flexible, rubberized opening to fit around the shower pipe.	1 pc	US5076006

i Made from wedi® S-DRY™ Membrane. **Made in the U.S.A.**


Product Order Information

... wedi S-DRY™ Tape

Product Image	Product Name	Description	Dimensions (WxL)	Unit	Item #
	wedi® S-DRY™ Tape	To create a waterproof seal over wall surface transitions and other surface transitions.	5 in. x 32 ft.	1 roll	US5076007


i Made from wedi® S-DRY™ Membrane. Used to waterproof transitions between wall surfaces, walls and showers bases, walls and prefabricated modules, etc. using a 2 in. overlap. Installed using wedi® S-DRY™ SEAL to adhere, covering any seams or overlaps. **Made in the U.S.A.**

wedi® PRO-SET™

Product Image	Product Name	Description	Unit	Item #
	wedi® PRO-SET™ Tile Adhesive	Modified tile adhesive optimized for adhesion with wedi® brand product surfaces in interior, wet area applications. Color: White	25 lb/bag	US5076012


i Developed for use with wedi® S-DRY™ and wedi Fundo® Shower systems and setting tile or stone. 100 bags per pallet. **Made in the U.S.A.**

... wedi S-DRY™ SEAL

Product Image	Product Name	Description	Product Contents	Unit	Item #
	wedi® S-DRY™ SEAL	To install wedi® S-DRY™ tape and corners or membrane overlaps in a waterproof way.	wedi® S-DRY™ SEAL Liquid - 32 oz. bottle wedi® S-DRY™ SEAL Powder 2 x 16 oz. bag wedi® S-DRY™ SEAL Trowel	1 bottle & 2 bags	US5076011

i To install wedi® S-DRY™ tape and corners or membrane overlaps in a waterproof way. Following mixing directions on packaging to create wedi® S-DRY™ compound. **Made in the U.S.A.**


... wedi S-DRY™ SEAL Trowel

Product Image	Product Name	Description	Unit	Item #
	wedi® S-DRY™ SEAL Trowel	Used to apply wedi® S-DRY™ SEAL to waterproof and adhere S-DRY™ Sheet membrane overlaps, transitions, tape and corners, as well as PVC bonding flange drain connections.	1 piece	US5076010

i Developed for use with wedi® S-DRY™ Shower Systems. **Made in the U.S.A.**


Drain Parts & Replacements

... wedi® S-DRY™ Fundo® Drain Cover Support

Product Image	Product Name	Description	Unit	Item #
	wedi® S-DRY™ Fundo® Drain Cover Support	When using a Premium Drain cover from the wedi Fundo® product range. Use with wedi® S-DRY™ Shower Bases or wedi® S-DRY™ BFD.	1 pc	US9476016


i wedi® S-DRY™ Height Adjustment Kits are included with wedi® S-DRY™ Drains. This item can be selected when a wedi Fundo® Drain Cover is used with a wedi® S-DRY™ Shower Base or wedi® S-DRY™ BFD. **Made in the U.S.A.**

... wedi® S-DRY™ Drain Replacement Kit

Product Image	Product Name	Description	Unit	Item #
	wedi® S-DRY™ Drain Parts Replacement Kit	For use with wedi® S-DRY™ Drains in wedi® S-DRY™ Shower Bases.	1 pc	US9476012

i wedi® S-DRY™ Drains are included with wedi® S-DRY™ Shower Bases and wedi® S-DRY™ Kits. This item can be selected when replacement pieces may be necessary. **Made in the U.S.A.**

... wedi® S-DRY™ Height Adjustment Kit

Product Image	Product Name	Description	Unit	Item #
	wedi® S-DRY™ Height Adjustment Kit	For use with wedi® S-DRY™ Drain Covers in wedi® S-DRY™ Shower Bases. Kit to adjust height of drain covers by up to 5/8 in., allows it to rotate, and allows it to move laterally by 3/16 in. in all directions to adjust to the tile and grout layout.	1 pc	US9476011

i wedi® S-DRY™ Height Adjustment Kits are included with wedi® S-DRY™ Drains. This item can be selected when replacement pieces may be necessary. Select your wedi® S-DRY™ Drain Cover separately. **Made in the U.S.A.**

Drain Covers

...wedi S-DRY™ Drain Covers

Product Image	Product Name	Length x Width x Height	Dimensions (LxWxT)	Unit	Item #
	wedi® S-DRY™ DCSS	Consists of drain cover frame and grate. Made from stainless steel with a lightly brushed/buffed finish.	3 3/4 x 3 3/4 x 3/16 in.	1 pc	US1076002
	wedi® S-DRY™ DCC	Consists of drain cover frame and grate. Made from stainless steel with a lightly brushed/buffed chrome finish.	3 3/4 x 3 3/4 x 3/16 in.	1 pc	US1076006
	wedi® S-DRY™ DCORB	Consists of drain cover frame and grate. Made from stainless steel with a lightly brushed/buffed oil rubbed bronze finish.	3 3/4 x 3 3/4 x 3/16 in.	1 pc	US1076001
	wedi® S-DRY™ DCMB	Consists of drain cover frame and grate. Made from stainless steel with a lightly brushed/buffed matte black finish.	3 3/4 x 3 3/4 x 3/16 in.	1 pc	US1076003
	wedi® S-DRY™ DCG	Consists of drain cover frame and grate. Made from stainless steel with a lightly brushed/buffed gold finish.	3 3/4 x 3 3/4 x 3/16 in.	1 pc	US1076005
	wedi® S-DRY™ DCB	Consists of drain cover frame and grate. Made from stainless steel with a lightly brushed/buffed brass finish.	3 3/4 x 3 3/4 x 3/16 in.	1 pc	US1076007
	wedi® S-DRY™ DCSS Commercial	Consists of drain cover frame and grate with screws to hold securely in place. Made from stainless steel with a lightly brushed/buffed finish.	3 3/4 x 3 3/4 x 1/4 in.	1 pc	US1076008

i Made from U.S.A. grade stainless steel 304. Grate remains removable for easy access to drain pipes and cleaning. S-DRY shower bases may be used with wedi Fundo® tileable covers or wedi Fundo® premium Drain Covers when using the wedi® S-DRY™ Fundo® Drain Cover Support Kit. **Made in the U.S.A.**

i We will soon launch a dedicated wedi® S-DRY™ tileable cover system. Until then, please also consider using wedi's premium version Fundo® Drain Cover T14 and T38.

Specifically Rated for Steam Shower or Steam Room Applications

When to lead with wedi® Vapor 85 Steam Shower System:

wedi® Vapor 85 products are great for customers that are working on projects where:



The client is building a steam room or steam shower.



The client wants a premium quality and performance built steam shower with wedi Warranty and service availability.

Key Points:

- Rated for residential, commercial, and continuous use steam shower and steam room applications.
- 100% internally waterproof, with surface applied vaporproofing on steam positive side that protects the underlying construction against moisture damage and mold growth.
- Lightweight, easy and clean to cut and customize.
- Covered by wedi's Warranty options up to the unique Limited Lifetime Warranty.
- Full service and support in the field.
- Made in the U.S.A.

Positioning Tip:

Use Vapor 85 as your go-to for steam shower projects. Vapor 85 is a must, because waterproofing floors, walls, benches, roofs is not enough - they need to be vaporproofed.

Key Customers:

Renovation and general contractors as well as wellness and sauna specialist firms.

wedi® Vapor 85 - Steam Shower and Steam Room System Installation Manual

wedi® Vapor 85 is a special variant of the wedi® Building Panel and is designed for installation in steam showers and steam rooms. It will serve as a strong vapor barrier, far exceeding the minimum requirements set by the Tile Council of North America (TCNA) for vapor barrier used in continuous use steam rooms. Additionally, it offers all the benefits of the traditional, time tested wedi® Building Panel: it is light, yet strong; it adds insulation and provides great bond for tile and other suitable surface finishes; it is a component of a fully functioning system which was developed to also vapor-proof seams, and fastener penetrations. The wedi® Vapor 85 makes best use of wedi system technology taken from the wedi® Building Panel, wedi® S-DRY™, wedi® S-DRY™ Tape, and wedi® S-DRY™ SEAL. Additionally, it works great with wedi Fundo® or S-DRY™ and S-DRY™ Bonding Flange Drains (BFD) on sloped steam room floors.



In 2026 wedi® Vapor 85 will transition from a grey surface to the blue surface typical to our wedi S-DRY™ sheet membrane system.

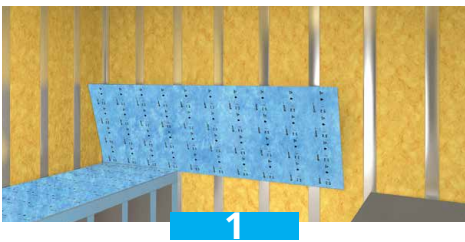


Below you'll find a list of items to create your own wedi Steam Room, as well as installation instructions!

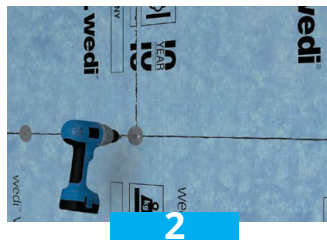
- wedi Fundo® Shower Base
- wedi® Vapor 85 Building Panel
- wedi® Tabless Washer and Fastener Kit
- wedi® Vapor 85 Fastener Patch Kit
- wedi® Corner Putty Knife
- wedi® S-DRY™ Inside Corner
- wedi® S-DRY™ Outside Corner
- wedi® S-DRY™ Tape and Membrane
- wedi® S-DRY™ SEAL and S-DRY™ Trowel

Installing a wedi® Vapor 85 for Steam Room Application

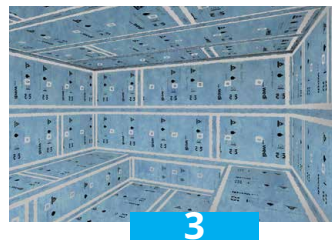
Steam Rooms typically have added challenges and need additional water and vapor-proofing. You can use our wedi® Vapor 85 Building Panels which have a slightly different installation technique. Here are all the installation steps in detail.



Ensure all framing and structures meet applicable wedi general requirements, building code and industry standards. Attach Vapor 85 panels to wall horizontally, and start the fasteners 1 ft. above shower floor and continue at a rate of one fastener every 12 inches. Use wedi's flat washers (ones without tabs) and screws. On solid or wedi built bench constructions (1 ½ in. to 2 in. wedi® Panels) install wedi® Vapor 85 using ½ inch beads of wedi sealant every 4 inches if the surface is flat or use wedi® PRO-SET™ mortar or other appropriate thinset mortar and apply a full surface bed using a ½ in. x ½ in. to ¼ in. x ¼ in. trowel.



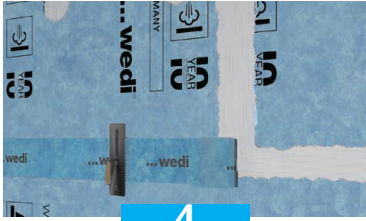
All panels are butted tightly. There is no need to apply joint sealant in between panels. The seams are widely covered in wedi® S-DRY™ tape applied in S-DRY™ SEAL which will squeeze in between panels.



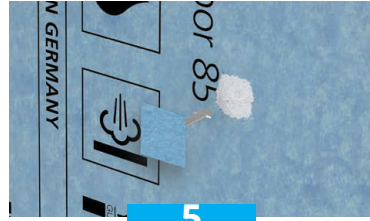
Use only wedi's flat washers so the membrane is not twisted upon tightening the washer. On ceilings, set wedi fasteners at a rate of one per every 6 inches of framing. In addition, apply a continuous ½ inch bead of wedi® Joint Sealant on every stud before attaching the panel. Ceilings should be sloped at a rate of 2 inches per every 12 inches so that condensation can run off without dripping.



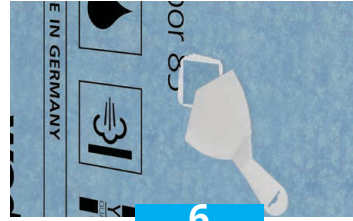
Installing a wedi® Vapor 85 for Steam Room Application



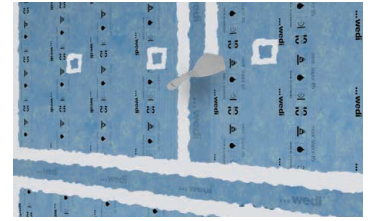
Apply wedi® S-DRY™ SEAL over all seams as a setting bed for wedi® S-DRY™ tape. Spread the S-DRY™ SEAL with a fine tooth adhesive trowel or S-DRY™ Trowel to achieve a full coverage sealant bed for the sealing tape. The minimum compressed thickness of the S-DRY™ SEAL setting bed using the 3/16 inch x 5/32 inch wedi® S-DRY™ V-Notch trowel should be 5/64 inch or 2 mm.



The tape is centered over the seams and pressed flat into the S-DRY™ SEAL. Make sure to use a flat putty knife or paint roller to work the sealing tape flat over the seam and remove all air bubbles or any other unevenness. Excess S-DRY™ SEAL is spread flat. Sealing tape inside and outside corners, as well as collars for valves or other protrusions, are available. Cover all fastener and washer points with wedi® S-DRY™ SEAL covering an area of 3 in. x 3 in. with the washers screw at its center.



Embed a sealing tape patch with a size of 3 in. x 3 in. into the bed of wedi® S-DRY™ SEAL from Step 5 and press flat using a putty knife.



Use wedi® S-DRY™ SEAL and wedi® S-DRY™ tape and collars to seal around protrusions and penetrations of the Vapor 85 using the same method as for applying tape and fastener point covers. If you can't clearly see S-DRY™ SEAL past the perimeter of the tape once it is embedded in all areas of the application, more S-DRY™ SEAL will be needed over the tape to Vapor 85 transition area and with S-DRY™ visible 1 inch past each side of the S-DRY™ tape. See S-DRY™ SEAL TDS or S-DRY™ shower system manual in this handbook. When using Vapor 85 systems, plan for using 1 piece 32 oz. bucket unit of S-DRY™ Seal for every 45 feet of tape you want to use. One piece of the 32 oz bucket unit of S-DRY™ SEAL is sufficient to cover 200 fastener points. The steam inlet pipe needs to be heat insulated where it enters into the steam room through the wedi® Vapor 85 panel. The wedi® Vapor 85 panel can withstand up to 165 degrees of heat contact exposure. The entire protrusion needs to be sealed and covered as described above.



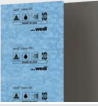

Allow the S-DRY™ SEAL to cure for 6 hours prior to setting tile. S-DRY™ SEAL can at this point be exposed to water and water vapor. On floor areas, consider wedi Fundo® Shower Systems or S-DRY™ sheet waterproofing membrane when working over mortar or screed surfaces (install in accordance to the S-DRY™ installation manual using wedi® S-DRY™ SEAL in overlapping sheet – or S-DRY™ tape covered seam connections). When setting tile over wedi® Vapor 85, please choose appropriate setting material and tile for use in steam rooms and steam showers. We recommend not to use natural stone tile or slab. We recommend to use porcelain tile with low water absorption potential (as classified in ANSI 137.1). We recommend the use of solid epoxy setting mortar and grout (as per ANSI 118.3). Please note that tile application over wedi® Vapor 85 panels is limited to a combined load and weight of tile and setting materials of up to 14 lb per square foot on walls, and up to 10 lb per square foot on ceilings.

Please contact wedi for the full Steam Room and Shower Technical Report.

wedi® Vapor 85 Building Panels

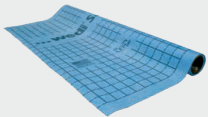
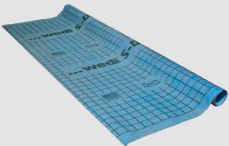
wedi® Vapor 85 is a special tile backer board system designed and made for premium performance in steam shower and steam room installations. Its design is based on the original wedi® Building Panel which provides the strength and tile load capability as well as the lightweight and clean handling and easy cutting process. wedi® Vapor 85 features an additional vapor barrier membrane pre-applied by wedi® on the vapor facing side of the panel. wedi® Vapor 85 will transition in 2026 to feature a blue vapor barrier facing and we are launching wedi® S-DRY™ tape and S-DRY™ SEAL which can be used to treat seams and penetrations in steam room applications. During that transition you may still use wedi® Subliner Dry Sealing Tape applied with either wedi® Sealant 620 or wedi® S-DRY™ SEAL. Do not mix wedi® S-DRY™ SEAL and wedi® Sealant 620 or wedi® Joint Sealant. These products are not compatible.

wedi® Vapor 85

Product Image	Item Name	Item #	Width x Length x Thickness	Unit	Main Application	Retail Price per Panel / Kit
	wedi® Vapor 85 48"x96"x1/2"	US8000026	48 in. x 96 in. x 1/2 in.	50 Panels/Pallet	Vaporproof tile backer board	\$286.07
	wedi® Vapor 85 Fastener Patch Kit	US5000089	3 x 3 in. squares	100 Pieces/Kit	100 ct fastener patch kit for Vapor 85 installations	\$25.79


i wedi® Vapor 85 Building Panels and wedi® Vapor 85 Fastener Patch Kits made in **U.S.A.**

...wedi® S-DRY™ Membranes

Product Image	Product Name	Description	Dimensions (WxL)	Unit	Item #
	wedi® S-DRY™	Sheet waterproofing membrane used to cover wall surfaces and other surfaces in a wedi® S-DRY™ Shower system or over mortar bed installations.	50 in. x 25 ft. (104 ft²)	1 roll	US5076009
	wedi® S-DRY™ XL	Sheet waterproofing membrane used to cover wall surfaces and other surfaces in a wedi® S-DRY™ Shower system or over mortar bed installations.	80 in. x 16 ft. (106 ft²)	1 roll	US5076008


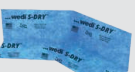


i Can be cut and fitted to any shower surface requiring waterproofing. Installed using wedi® PRO-SET™ to adhere to surface, and using wedi® S-DRY™ Tape to cover any seams or overlaps adhered and waterproofed using S-DRY™ SEAL. **Made in the U.S.A.**

...wedi® S-DRY™ Tape

Product Image	Product Name	Description	Dimensions (WxL)	Unit	Item #
	wedi® S-DRY™ Tape	To create a waterproof seal over wall surface transitions and other surface transitions.	5 in. x 32 ft.	1 roll	US5076007

i Made from wedi® S-DRY™ Membrane. Used to waterproof transitions between wall surfaces, walls and showers bases, walls and prefabricated modules, etc. using a 2 in. overlap. Installed using wedi® S-DRY™ SEAL to adhere, covering any seams or overlaps. **Made in the U.S.A.**



...wedi® S-DRY™ Corners

Product Image	Product Name	Description	Dimensions	Unit	Item #
	wedi® S-DRY™ Inside Corner 90	Apply to any inside corner within 36 in. of a wedi® S-DRY™ Shower Installation. Corner angle = 90°	5 in. long x 2 1/2 in. wide on either side of corner crease	2 pc/bag	US5076002
	wedi® S-DRY™ Inside Corner 135	Apply to any inside corner within 36 in. of a wedi® S-DRY™ Shower Installation. Corner angle = 135°	5 in. long x 2 1/2 in. wide on either side of corner crease	2 pc/bag	US5076001
	wedi® S-DRY™ Outside Corner 90	Apply to any outside corner within 36 in. of a wedi® S-DRY™ Shower Installation. Corner angle = 90°	5 in. long x 2 1/2 in. wide on either side of corner crease	2 pc/bag	US5076005
	wedi® S-DRY™ Outside Corner 135	Apply to any outside corner within 36 in. of a wedi® S-DRY™ Shower Installation. Contains a left and right side corner. Corner angle = 135° Includes 1 left and 1 right corner	5 in. long x 2 1/2 in. wide on either side of corner crease	2 pc/bag	US5076004

i Made from wedi® S-DRY™ Membrane. Used to waterproof corner seams near walls, floors, shower bases, curbs, or other add ons such as seat structures (use 135 Degree Corners left and right for corner seats). Installed using wedi® S-DRY™ SEAL. **Made in the U.S.A.**


wedi® Vapor 85 Building Panels

...wedi S-DRY™ Pipe Collars

Product Image	Product Name	Description	Unit	Item #
	wedi® S-DRY™ Mixing Valve Collar	Mixing valve collar for sealing around a mixing valve in a wedi® S-DRY™ Shower System. Includes a 4 1/2 in. flexible, rubberized opening to fit around the mixing valve.	1 pc	US5076003
	wedi® S-DRY™ Shower Pipe Collar	Pipe collar for sealing around 1/2 in. to 3/4 in. shower pipe protrusions a wedi® S-DRY™ Shower System. Includes a 3/8 in. flexible, rubberized opening to fit around the shower pipe.	1 pc	US5076006


i Made from wedi® S-DRY™ Membrane. **Made in the U.S.A.**

...wedi S-DRY™ SEAL

Product Image	Product Name	Description	Product Contents	Unit	Item #
	wedi® S-DRY™ SEAL	To install wedi® S-DRY™ tape and corners or membrane overlaps in a waterproof way.	wedi® S-DRY™ SEAL Liquid - 32 oz. bottle wedi® S-DRY™ SEAL Powder 2 x 16 oz. bag wedi® S-DRY™ SEAL Trowel	1 bottle & 2 bags	US5076011


i To install wedi® S-DRY™ tape and corners or membrane overlaps in a waterproof way. Following mixing directions on packaging to create wedi® S-DRY™ compound. **Made in the U.S.A.**

...wedi S-DRY™ SEAL Trowel

Product Image	Product Name	Description	Unit	Item #
	wedi® S-DRY™ SEAL Trowel	Used to apply wedi® S-DRY™ SEAL to waterproof and adhere S-DRY™ Sheet membrane overlaps, transitions, tape and corners, as well as PVC bonding flange drain connections.	1 piece	US5076010

i Developed for use with wedi® S-DRY™ Shower Systems. **Made in the U.S.A.**

wedi® Fastener Kits

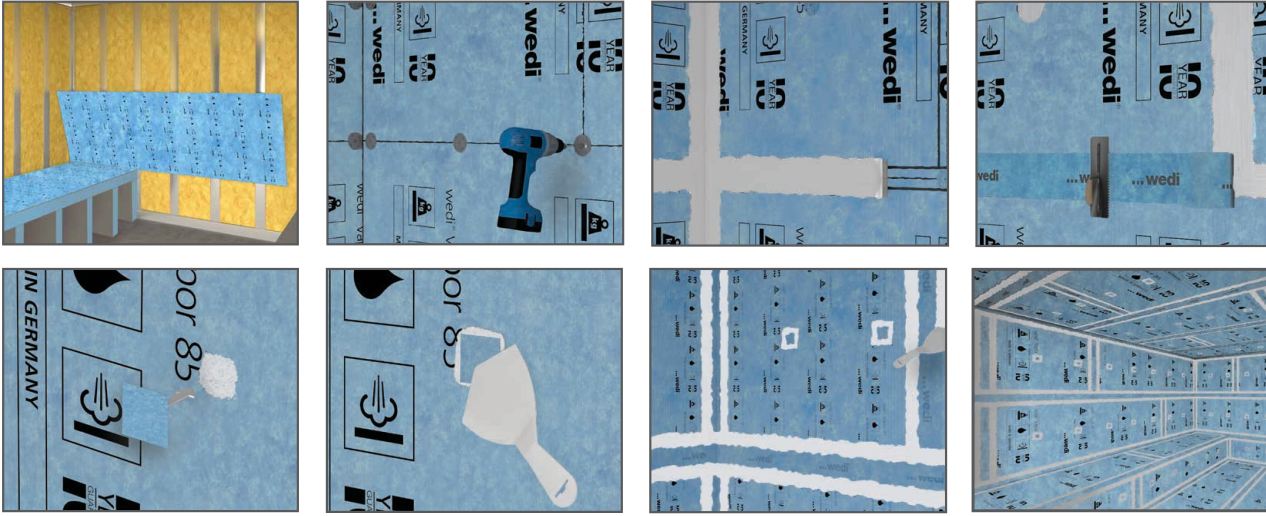
Product Image	Item Name	U.S.A.ge Amount	Contents	Unit	Item #	Description
	wedi® Tabless Fastener Kit	Use for flooring with 1/4 in. panel, as well as with the wedi Vapor 85 Building Panel. Plan to use 1 wedi® screw and washer per ft² of wedi® Building Panel	100 wedi® Coarse Thread Screws 1 5/8 in. & 100 wedi® Tab Steel Washers	1 pc	US5000086	100 ct wedi® Tabless washers and screws

i Phillips head for wood studs, premium ceramic coating (ACQ Compliant). For installation to wooden and metal framework (20 gauge). Tabbed washers provide four tabs for fast and secure placement. wedi® Washers provide a solid gauge according to ISO standards and less potential for deformation. Load capabilities are independently tested. Washers **made in U.S.A.** Screws made in Taiwan and Vietnam.

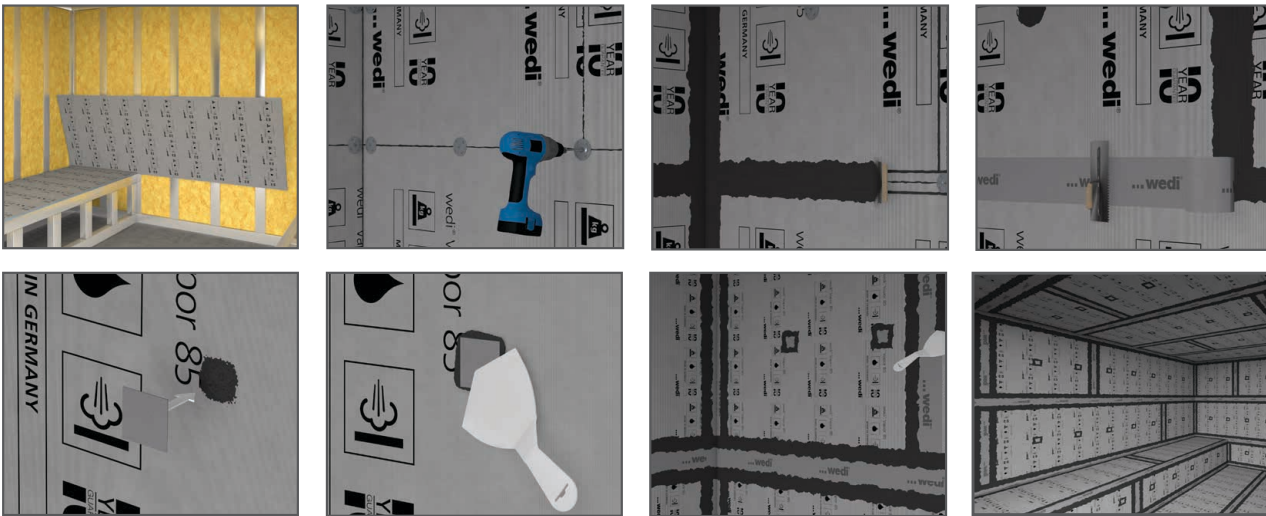
wedi® Vapor 85 Building Panels

Installation at a Glance:

Install the wedi® Vapor 85 panels to framing using wedi® washers without tabs and by covering all seams and fastener locations with wedi® S-DRY™ SEAL and S-DRY™ tape and Vapor 85 Fastener patches. (Optionally you may still use wedi® Subliner Dry sealing tape and wedi® sealant 620 to treat seams but wedi® will retire these two products by the end of 2026 and replace the application with S-DRY™ tape and S-DRY™ SEAL, two locally made products)



Below the installation procedure shown with first generation Vapor 85 boards (grey surface) and seams/fasteners sealed with wedi® Subliner Dry and wedi® Sealant 620). These materials and their installation process remain approved. First and current generation Vapor 85 boards and Subliner Dry tape/membranes can also be installed in combination with wedi® S-DRY™ SEAL.



Scan code to view complete and current step-by-step installation manuals and videos

Do not mix wedi® S-DRY™ SEAL and wedi® Sealant 620 or wedi® Joint Sealant. These products are not compatible.

06 What are wedi® Shower Upgrades

These wedi design elements are available in various shapes and offer innumerable style and functional design options. The range of wedi prefabricated modules includes options for benches, shower niches, curbs, and ramps. For wellness and spa wet areas, wedi offers loungers and benches with optional head and armrests. These shower upgrades can be used with any wedi Shower System, as long as proper installation techniques are followed.



wedi Sanoasa® Shower Benches 2 - 4

wedi Sanoasa® benches are constructed to allow unmatched freedom of visual design. Both the seating areas and the carrier elements can be positioned in various ways, and their shapes and sizes can be modified for any project.



wedi® Shower Seats - Suspended Corner Shower Seats

wedi's prefabricated shower seats and benches are much easier and faster to install than metal tray or concrete seats. They also bond well to thinset mortar and are 100% waterproof due to the extruded polystyrene closed-cell foam core. They will not cause efflorescence, discolorations, or waterproofing issues frequently observed with products requiring mortar fills. wedi's prefabricated suspended corner seats do not require additional blocking installed in the framing, and the mounting brackets and their fastening points are hidden from water exposure and are fastened into existing wall studs. wedi's prefabricated suspended corner seats carry up to 350 lbs of weight once installed. All wedi seats are pre-sloped on the surface except for the suspended seats.



wedi® Shower Bench Kits

wedi® Shower Bench kits contain all the pieces necessary to build a floor-mounted corner or rectangle bench, that easily integrates into any shower project.

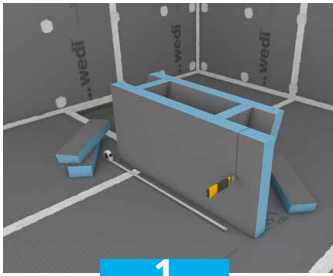


wedi Sanoasa® Wellness Benches and Loungers

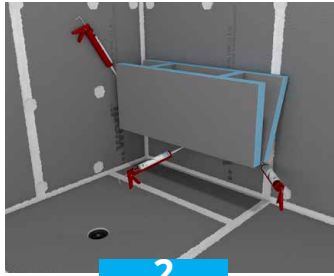
wedi takes rejuvenation and relaxation to a whole new level in the bathroom. wedi's unique, elegant wellness elements create an unforgettable spa experience. There is no limit to the design possibilities wedi offers for a customized and peaceful bath. We offer standard and customized options for benches and loungers, and more modular designs for sinks or tubs.

Installing wedi Sanoasa® Shower Benches 2 & 3

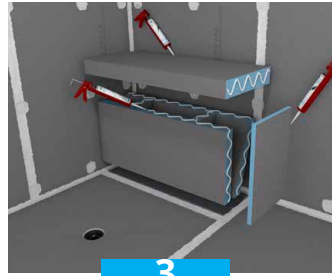
wedi Sanoasa® Benches 2 & 3 offer design solutions for smaller shower spaces and can be installed into newly built showers or as retrofits. They fit right in with wedi® Shower Systems and may work in conventional shower systems as well. The benches come in two parts, the top/seat and bench support. You'll find wedi® Joint Sealant already included in the box and there are additionally optional accessories in the kit to allow for any sort of special situations you may run into in a project. There are three models that are available. The difference between models are the front finish and bench top which are: quarter round, square, or slanted finish options. Each model can be installed with its top sections front smoothly aligned with the bench supports front, or have it overhanging the bench support.



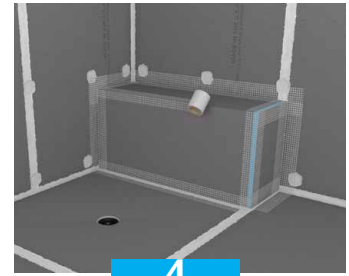
Cut the bench support and seat to length using a knife, handsaw or circular saw.



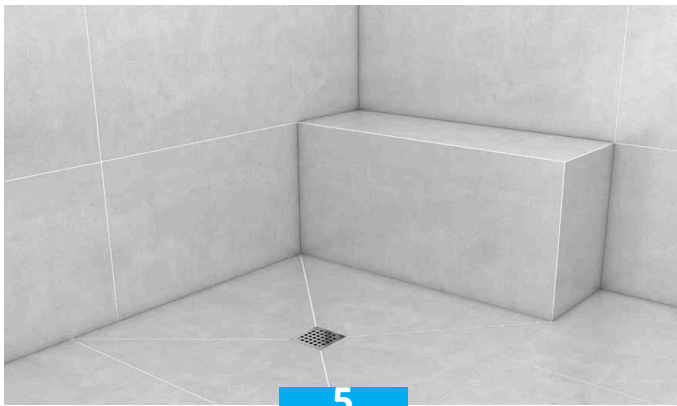
Dry-fit the bench. On the bench locations that have direct and full contact with the wall and (sloped) floor, you'll want to apply joint sealant in a continuous 1/2 inch thick bead. Ensure the bead is applied in a zigzag fashion to ensure good distribution of sealant for great contact and adhesion everywhere. In locations where there is no full contact surface available due to the slope in the floor, use thinset mortar instead of wedi® Joint Sealant and backfill such gaps if no greater than 1/4 inch. If a gap is greater than 1/2 inch (cut the bench supports to match the shape of the floor). Ensure that structure is kept tight in position until sealant or thinset mortar have initially set. Ensure the wall/floor substrate is appropriate for the wedi® Joint Sealant or thinset mortar to work (e.g. use primer when installing over existing tile surfaces when retrofitting a bench)



The bench support and top are connected with continuous 1/2 inch beads of wedi® Joint Sealant. Firmly press parts together and against the sealant or thinset adhesive as described in step 2. The seat is pre-pitched by wedi so water can run off towards the drain later. The Sanoasa kit comes with 1/4 inch wedi® Building Panel, which you can use to close off an open side of the bench. Install these panels with wedi® Joint Sealant. Cut the panels with a knife to adjust their shape to that of the bench.



Apply 1/2 inch beads of wedi® Joint Sealant continuously over every seam and transition area. Use a putty knife to smooth the sealant so it covers 1 inch of the wedi product on either side of a seam or transition. However, thinset mortar filled seams are not sealed over but require a wedi mesh tape placed over the seam when tiling commences.



Start tiling immediately once sealant and thin set tile adhesive is dry to the touch.

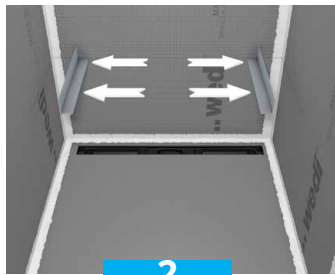
Installing wedi Sanoasa® Shower Benches 4

The Sanoasa 4 is a suspended bench that allows a design creating more space in any shower while adding suspended seating comfort and can carry up to 500 lbs of weight across once it is tiled. The Sanoasa 4 is 3 1/4 inch thick and 47 1/4 inch long. The bench comes pre-sloped on its surfaces so water can safely run off to the front of the seat where it can move towards the shower drain instead of causing puddles on the bench tiles. The Sanoasa 4 can be cut to a shorter length and made-to-fit between three shower walls where the bench connects. This bench is ideal for installation prior to tiling but can also be installed over existing tiled walls. In the latter case, there is a risk the waterproofing of the walls may be damaged by the Sanoasa fasteners which are difficult to seal like in most retrofit installations where fasteners penetrate through tile and waterproofing below the tile. This bench can carry up to 500 lbs. of load on its surface once tiled without creating a risk for cracks in grout or tile. The larger and thicker the tile and stone, the more it adds to stiffness and load capability of this bench. A minimum tile size of 4 inches should be used and tile should be a minimum of 1/4 inch thick.



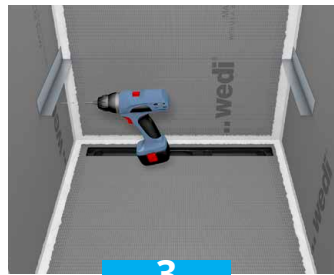
1

Cut and dry-fit the bench into the three-wall opening in the shower. Dry-fit with the two L-shaped steel profiles loosely fitted onto the sides of the bench. Mark the outline of the bench where it will connect to the walls so you can see later where to apply wedi® Joint Sealant.



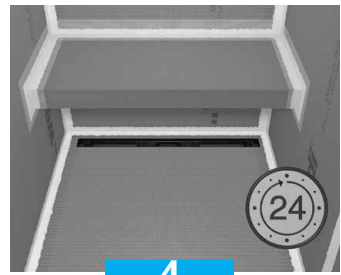
2

Determine installation height and apply wedi® Joint Sealant widely over the wallboard area where the steel profiles will be installed. Press the steel profiles into position.



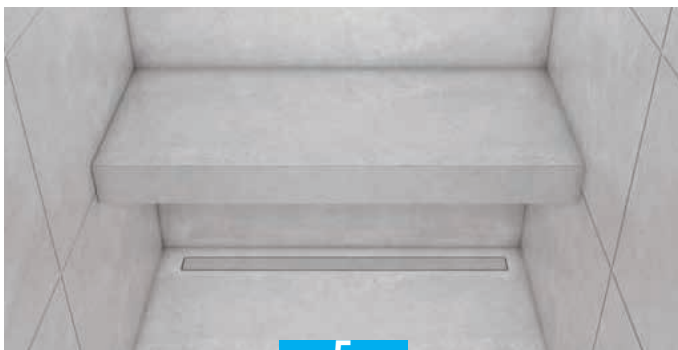
3

Install steel profiles in a level position. Apply wedi fasteners through the steel profiles and wallboards into framing spaced 16 inches apart.

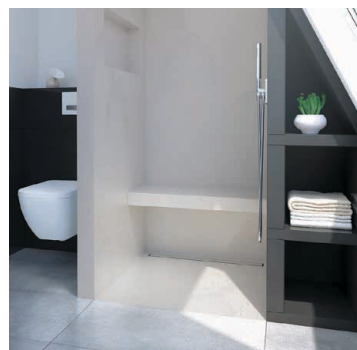


4

Apply wedi® Joint Sealant widely to all areas connected with the bench (all three walls and to both steel bracket surfaces). Insert the bench and press into the bed of sealant. Ensure the bench will stay in a tight position to allow the sealant to bond. Apply a 1/2 inch bead of sealant over and along all transition seams between wall and bench including on the underside of the bench. Finally, apply wedi mesh tape on all such seams. The mesh tape is later covered with thinset mortar. Allow wedi® Joint Sealant 24 hours to cure. Please note that the untiled bench still offers some flexibility when weight or force is applied, but sufficiently stiffens once it is tiled.

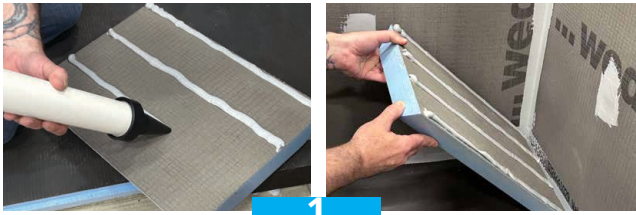


5



After 24 hours, tiling can commence to include the underside of the bench.

Installing wedi® Shower Bench Kits



1

Apply evenly spaced beads of wedi® Joint Sealant along the back side of the bench kit panel installed against the shower wall.



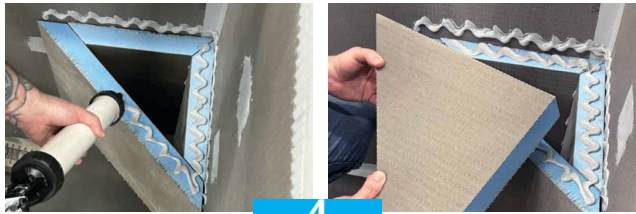
2

Firmly adhere the back side panel to the shower wall, ensuring all edges are pressed tightly.



3

Apply S-shaped beads of wedi® Joint Sealant on all parts where they butt together, except use thinset mortar to backfill at the bottom of the front panel where it touches the sloped floor (if a large gap is opening).



4

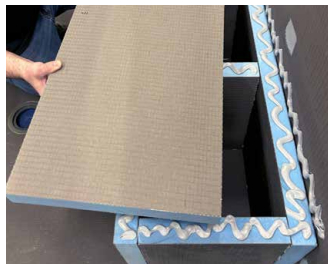
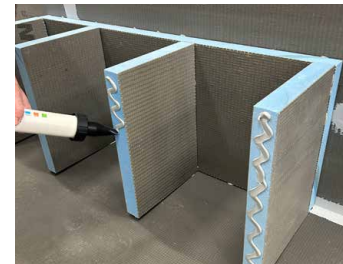
A slight slope in the seating area for water to run off toward the front of the bench can be created by adding more joint sealant in the back wall area underneath the top seating panel.



5

Make sure to cover exposed foam edges with wedi® Joint Sealant. Make sure to keep parts together tightly for as long as the joint sealant needs to initially cure (approximately 30 mins).

The same installation steps will apply for the rectangular bench:



Installing wedi® Suspended Corner Shower Seats

Below you can see the installation of wedi's prefabricated triangle seats. They are designed to withstand a weight of up to 350 lbs. centered on the seat.



1

Apply wedi® Joint Sealant to the side of the mounting bracket that will be attached to the wedi® Building Panel wall.



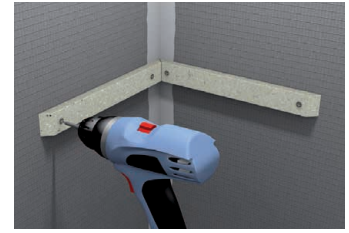
2

Evenly distribute wedi® Joint Sealant with a putty knife until the whole contact area is covered.



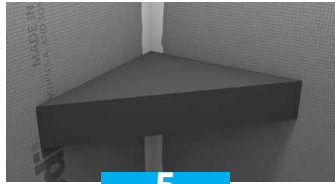
3

Mount the brackets through the wedi® Building Panel wall into the solid 2 x 4 wooden framework. Ensure the brackets are in level position.



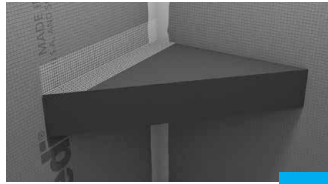
4

Using a putty knife, apply wedi® Joint Sealant to the blue foam edges of the seat that will contact the wedi® Building Panel wall and brackets.



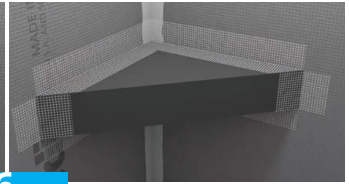
5

Press the seat element into position and apply a weight (i.e., tile box) so the sealant can set under bond pressure.



6

Apply a 1/2 inch bead of wedi® Joint Sealant over the transition seams between seat and wall on top side, underside, and side, and spread flat using a putty knife so it covers 1 inch) of wall or seat surface on either side of the seam. Once wedi® Joint Sealant has dried to the touch, install wedi mesh tape over all topside transitions to the wall and cover with thinset mortar.



7

Tiling can start immediately.

Installing a field-fabricated suspended shower seat

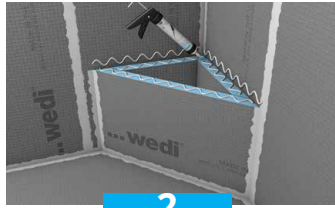
Triangles made from wedi 2 inch Building Panel may be used to construct and install tile-ready suspended corner seats. The wedi® Building Panels may be single sheets or doubled up to 4 inches or more by adhering to several triangle cut wedi 2 inch Building Panels using full contact application a minimum 1/4 in. x 1/4 in. square troweled bed of modified thinset (such as wedi® PRO-SET™) mortar or wedi® Joint Sealant equally applied to the surface in 1/2 inch thick beads. The triangle seats are then sealed and adhered against wedi® Building Panels on walls using wedi® Joint Sealant applied in 1/2 inch beads equally distributed over the contact surface. The seats should be pressed into position and kept under compression against the walls for at least 20 minutes. More joint sealant is then applied in 1/2 inch beads over all seams top and bottom of the seat and troweled flat using a wedi® Corner Putty Knife. Allow the Joint Sealant to cure for 24 hours before applying wedi mesh tape over these seams and cover them with thinset mortar. Tiling may begin. Note that the maximum seat size in this shape is limited to 18 inch seat length at both connecting (90° corner) walls. Such field constructed seats are approved for a combined live and dead load/weight of up to 250 lbs. centered on the seat. A slight 1% water run off slope should be constructed on the seat surface through the tile application. Compare to wedi's prefabricated suspended seats M and L - these can carry higher loads due to the bracket supports.



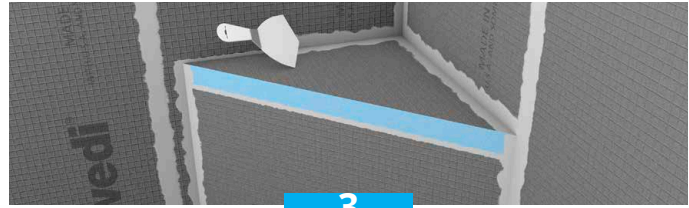
Installing field fabricated seats and benches using standard 2 inch wedi® Building Panel



Measure and cut the bench pieces off a wedi 1½ inch or 2 inch thick wedi® Building Panel and dry-fit. When installing a corner seat, the panel edges are mitered for a tight fit. To achieve a slope, the parts' upper ends are cut down with a slight angle towards the front of the bench. Optionally, create a pitch using wedi® Joint Sealant as a "wet shim".



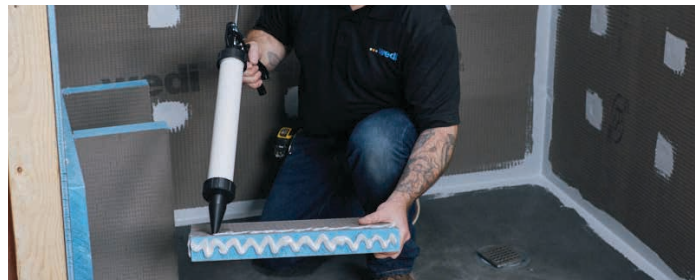
The wedi parts are adhered to the wall using thinset mortar or wedi® Joint Sealant. Adjoining parts are glued together using wedi® Joint Sealant continuously applied along all-foam edges of a panel.



Excess is spread flat over the seams using a putty knife. Where the backs of the parts meet the wedi wall, modified thinset (such as wedi® PRO-SET™) mortar is used in a full-contact surface bed. Once the bench is built, a final bead of wedi® Joint Sealant is applied to seal all seams to the wedi wall safely. The vertical front part of the bench will show a small gap to the pitched floor. Fill gaps larger than ¾ inch with thinset with thinset mortar and apply alkali-resistant mesh tape by wedi over these seams. Smaller gaps can be filled and sealed with wedi® Joint Sealant. Alternatively, benches and seats are offered as prefabricated units made by wedi. For longer or larger benches built from our 2 inch building panel, always install one spacer/support made of wedi 2 inch Building Panel every 18 inches in either direction. Over the blue exposed foam edges, adhere a wedi® Building Panel strip to the foam using wedi® Joint Sealant. This will create a cement-based surface to adhere tile to it. Optionally, the blue foam may be covered with wedi® Joint Sealant. The covering of the blue foam areas is not necessary where tile is used that will overlap and cover the blue area with no more than 50% of its size. Such larger tile is thinset adhered to the seat, including the foam surface. The maximum weight allowance on seats or benches built with vertical supports placed every 18 inches o.c. is 500 lbs.

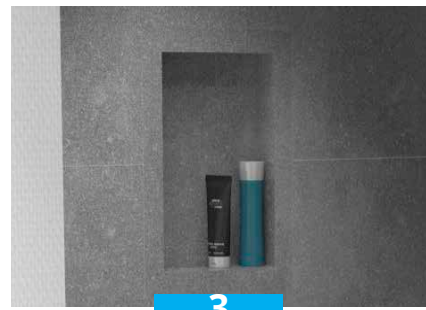
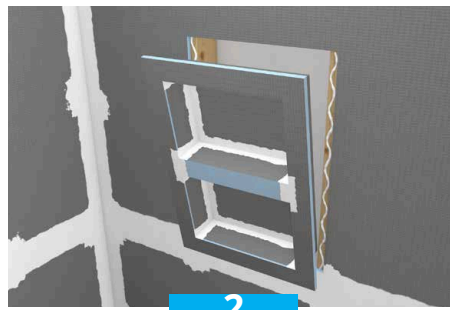
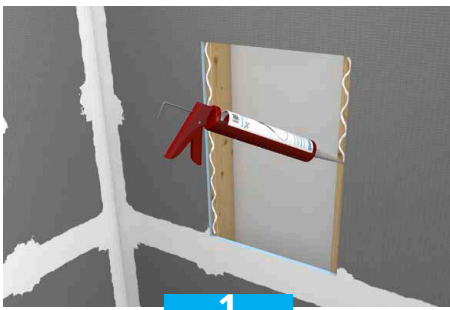
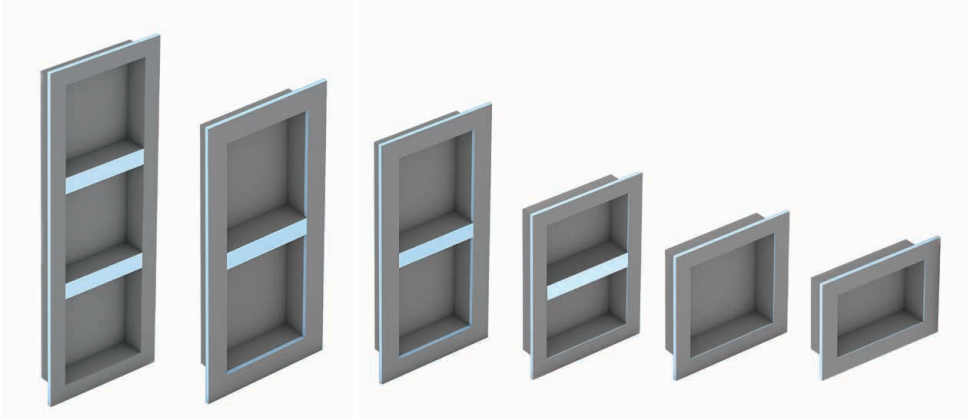


Tiling can start immediately.



Installing wedi® Shower Niches

wedi prefabricated shower niches are made from wedi ½ inch wedi® Building Panels for strength, and come in a variety of different size options to fit every shower necessity. wedi® Shower Niches install quickly, safely, and integrate flush into the wall panel assembly with wedi fasteners and wedi® Joint Sealant. Shelves, included in some models, are optional and may be installed exactly where they best fit the design. These niches can be used with wedi Fundo®, wedi® S-DRY™ and wedi® Vapor 85 - please consider the different installation processes of these three systems.



wedi® Shower Niches are installed in a cutout in the wedi wall and attached with its flange right into the center of 16 inch o.c. studs. wedi® Joint Sealant is set along the connection of wall to niche. In wedi® S-DRY™ and wedi® Vapor 85 installations, no joint sealant needs to be applied.

Fasteners are placed every 12 inches on either side of the niche, or a minimum of one fastener on each of the four corners, are set to create a flat transition to wall panels. Another ½ inch bead of wedi® Joint Sealant is spread flat over fasteners and seams. In wedi® S-DRY™ installations, wedi® S-DRY™ tape is installed in wedi® S-DRY™ SEAL over seams to surrounding wall/membrane surfaces. In Vapor 85 installations, the transition seams to surrounding wall/membrane surfaces and the entire niche box surface must be covered with wedi® S-DRY™ Membrane applied in thinset and wedi® S-DRY™ SEAL for the 2 inches overlap or tape applied over seams.



Product Order Information

wedi® Shower Upgrades

wedi® Shower Seats

wedi's prefabricated shower seats are much easier and faster to install than metal tray or concrete seats, bond well to thinset mortar and are 100% waterproof due to the extruded polystyrene closed-cell foam core. wedi's prefabricated suspended corner seats do not require additional blocking installed in the framing, and the mounting brackets and their fastening points are hidden from water exposure and are fastened into existing wall studs.

What is in the box?



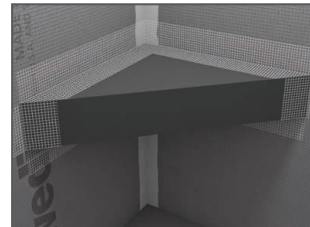
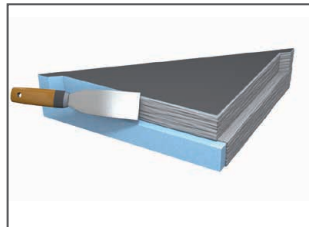
Both sizes of wedi® Shower Seat include wedi® Joint Sealant, self-adhesive fiberglass mesh tape, screws and mounting brackets. Seats can carry up to 350 lbs of weight once installed.

i Shower seats made in Germany.

Product Image	Item Name	Length x Width x Height	Item #	Description
	wedi® Shower Seat M	19 x 19 (wall sides) x 4 in.	US3000001	Wall suspended Corner Seat 19x19 (wall sides) x 24 1/16 (across front) x 4 inch thick
	wedi® Shower Seat L	24 x 24 (wall sides) x 4 in.	US3000002	Wall suspended Corner Seat 24x24 (wall sides) x 33 15/16 (across front) x 4 inch thick

Installation at a Glance:

Install the wedi® Shower Seat to the shower wall and to the mounting brackets provided in the box using wedi® Joint Sealant. Prior to tiling, apply the self-adhesive wedi® mesh tape which is also provided in the box.



Scan code to view complete and current step-by-step installation manuals and videos

wedi® Shower Upgrades

wedi Fundo® Shower Bench Kits

These Benches are assembled using wedi® Joint Sealant to safely adhere the bench parts to the floor, walls and in between parts. With floor-mounted benches, the sloped shower floor substrate usually creates a gap between the bench and the floor which can be sealed with wedi® Joint Sealant, or wedi® S-DRY™ tape and S-DRY™ SEAL, or they can be closed with thinset mortar in wedi® shower installations which already form a waterproofed surface beneath and behind the bench.

What is in the box?



wedi® Shower Bench Kits include all pieces necessary to assemble a complete bench, ready for installation into your shower design.

i wedi® Shower Bench Kits are made in **U.S.A.**

Product Image	Item Name	Length × Width × Height	Item #	Description
	wedi® Shower Corner Bench Kit 16"	16 x 16 (wall sides) x 20 in.	US3000054	Floor mounted triangle corner shower bench kit
	wedi® Shower Corner Bench Kit 24"	24 x 24 (wall sides) x 20 in.	US3000055	Floor mounted triangle corner shower bench kit
	wedi® Shower Bench Kit 48"	48 x 16 x 20 in.	US3000056	Floor mounted rectangular shower bench kit

Installation at a Glance:

Attaching a wedi® Shower Bench Kit to a wedi® Building Panel on a shower wall.



i wedi® Shower Bench Kits are installed with wedi® Joint Sealant.



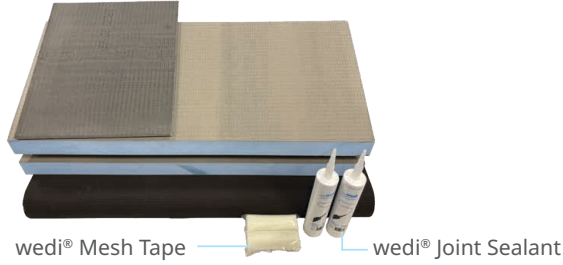
Scan code to view complete and current step-by-step installation manuals and videos

wedi® Shower Upgrades

wedi Sanoasa® Shower Benches

The pre-sloped premium benches attach to shower wall and floor surfaces using wedi® Joint Sealant. With all floor mounted options, the sloped shower floor forms a gap in areas where thin-set can be used as a filler, and mesh tape is applied over the thin-set or floor to create a reinforced seam that does not require waterproofing if installed over a wedi® Shower Base or system.

What is in the box?

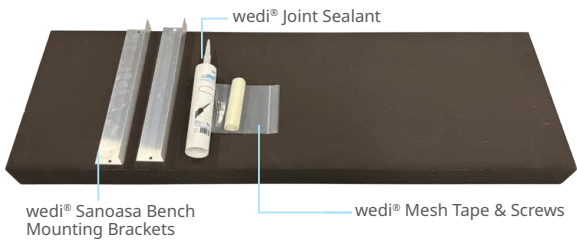


wedi Sanoasa® Shower Benches include all pieces necessary to assemble a complete bench, ready for installation into your shower design.

i Sanoasa Shower benches made in Germany.

Product Image	Item Name	Width × Height × Depth	Item #	Description
	wedi Sanoasa® Shower Bench 2 M	≈ 35 3/8 x 18 x 15 in. 72 degree front/ top angled transition	US3000044	Shower Bench with sloped seat surface and angled design
	wedi Sanoasa® Shower Bench 2 L	≈ 47 1/4 x 18 x 15 in. 72 degree front/ top angled transition	US3000045	Shower Bench with sloped seat surface and square design
	wedi Sanoasa® Shower Bench 3 M	≈ 35 3/8 x 18 x 15 in. 72 degree front/ top angled transition rounded with 2 inch radius to fit most penny round tiles and other mosaic tiles	US3000046	Shower Bench with sloped seat surface and rounded design
	wedi Sanoasa® Shower Bench 3 L	≈ 47 1/4 x 18 x 15 in. 72 degree front/ top angled transition rounded with 2 inch radius to fit most penny round tiles and other mosaic tiles	US3000047	Shower Bench with sloped seat surface and rounded design

What is in the box?



This suspended seat can be cut to length and can carry up to 500 lbs of weight once tiled including on its bottom surface. A minimum tile size of 4 x 4 inches should be used for safe performance.

i Shower bench made in Germany.

Product Image	Item Name	Width × Height × Depth	Item #	Description	Retail Price / Piece
	wedi Sanoasa® Shower Bench 4	47 1/4 x 3 1/8 x 15 in.	US3000000	Wall suspended shower bench with sloped seat surface	\$513.66

wedi Shower Niches

Product Image	Item Name	Width × Height × Depth	Unit	Item #	Description
	wedi® Shower Niche 12\"x8\"	12 x 8 x 3 1/2 in. (internal) 16 x 12 x 4 in. (external)	1 pc	US3000004	Tileable niches for recess into shower walls with interior niche dimensions of 12 x 8 x 3 1/2 in. (W x H x D)
	wedi® Shower Niche 12\"x12\"	12 x 12 x 3 1/2 in. (internal) 16 x 16 x 4 in. (external)	1 pc	US3000005	Tileable niches for recess into shower walls with interior niche dimensions of 12 x 12 x 3 1/2 in. (W x H x D)
	wedi® Shower Niche 12\"x18\"	12 x 18 x 3 1/2 in. (internal) 16 x 22 x 4 in. (external) includes removable shelf	1 pc	US3000007	Tileable niches for recess into shower walls with interior niche dimensions of 12 x 18 x 3 1/2 in. (W x H x D) and with one removable and tileable 2 inch shelf
	wedi® Shower Niche 12\"x24\"	12 x 24 x 3 1/2 in. (internal) 16 x 28 x 4 in. (external) includes removable shelf	1 pc	US3000248	Tileable niches for recess into shower walls with interior niche dimensions of 12 x 24 x 3 1/2 in. (W x H x D) and with one removable and tileable 2 inch shelf
	wedi® Shower Niche 12\"x26\" CAT	12 x 26 x 3 1/2 in. (internal) 16 x 30 x 4 in. (external) includes removable shelf; peaked top	1 pc	US3000016	Tileable niches for recess into shower walls with interior niche dimensions of 12 x 26 x 3 1/2 in. (W x H x D) and cathedral peaked top and with one removable and tileable 2 inch shelf
	wedi® Shower Niche 12\"x28\"	12 x 28 x 3 1/2 in. (internal) 16 x 32 x 4 in. (external) includes removable shelf	1 pc	US3000051	Tileable niches for recess into shower walls with interior niche dimensions of 12 x 28 x 3 1/2 in. (W x H x D) and with one removable and tileable 2 inch shelf
	wedi® Shower Niche 12\"x38\"	12 x 38 1/4 x 3 1/2 in. (internal) 16 x 42 x 4 in. (external) includes 2 removable shelves	1 pc	US3000024	Tileable niches for recess into shower walls with interior niche dimensions of 12 x 38 1/4 x 3 1/2 in. (W x H x D) and with two removable and tileable 2 inch shelves

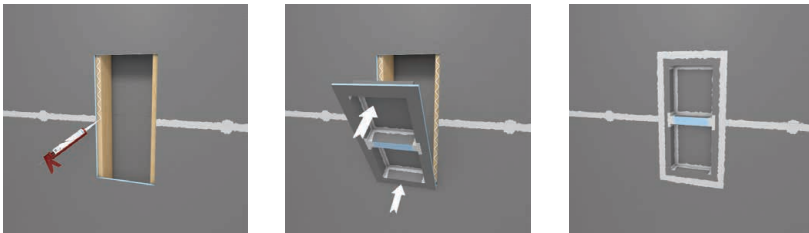
i Installation into cavities of 16 inch o.c. framed walls made from 2 x 4s. **i** Made in U.S.A.



Shelves, included with some shower niche models, can be placed where they best fit the design, adhered with wedi® Joint Sealant, and tiled directly. For an upgraded shower niche shelf in glass, stainless steel or matte black, please see page 28.

Installation at a Glance:

Tileable and waterproof shower niches for fast and clean integration into shower wall assemblies.

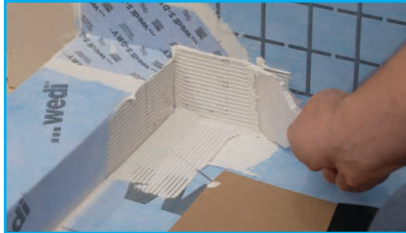


Scan code to view complete and current step-by-step installation manuals and videos

Premium Quality Installation Materials for All Applications

Can be purchased individually and used with wedi systems as shown in installation manuals

wedi® S-DRY™ SEAL is great for:



Sealing and connecting membranes, corners, seams and to cover fastener points in wedi® S-DRY™ or Vapor 85® installations.

wedi® PRO-SET™ is great for:



Adhering wedi Fundo® or wedi S-DRY™ membranes, shower bases, and curbs to subfloors, or adhering tile after a wedi System has been installed.

wedi® Joint Sealant is great for:



Sealing and connecting products together, and sealing seams or fastener points in a wedi Fundo® System.

Key Points:

- VOC and PVC free material technologies.
- Covered by wedi's Warranty options up to the unique Limited Lifetime Warranty.
- Full service and support in the field.
- Made in the U.S.A.

Tip:

Not sure which installation materials are needed for your project? Contact your local wedi Technical Sales Support Manager!

wedi® S-DRY™ SEAL

wedi® S-DRY™ SEAL is a two-component cement based waterproofing system for use with wedi® S-DRY™ products in wet area applications. It is developed for waterproofing and bonding wedi® S-DRY™ shower system membrane overlaps, transitions, seam tape and for connections to wedi® S-DRY™ bonding flange drains. It dries to a waterproof film that allows the still-fresh thinset under wedi® S-DRY™ sheet membranes to hydrate out. wedi® S-DRY™ shower installations are readily waterproofed and sufficiently cured to accept a flood test on the same day 6 hours after application of wedi® S-DRY™ SEAL. It meets and exceeds ANSI A118.10 (Waterproofing) and ANSI A118.12 (Crack Isolation), and is solvent free!



Instructions: wedi® S-DRY™ SEAL liquid is mixed with wedi® S-DRY™ SEAL powder using a measuring cup to create the wedi® S-DRY™ SEAL Compound using a 1:1 ratio in liquid ounces. Mix 1 bag of powder with half the bottle of liquid. For further installation instructions, as well as technical data and warranty information, please refer to the wedi® S-DRY™ SEAL Technical Data Sheet.

wedi® PRO-SET™

wedi® PRO-SET™ is a modified tile adhesive optimized for adhesion with wedi® brand product surfaces in interior, wet area applications. It is developed for use with wedi® S-DRY™ shower systems and over wedi Fundo® and wedi® Building Panel cementitious surfaces. It is optimized for securing large and heavy porcelain and natural stone tile installed using up to 3/4 inch square notch trowels. Its optimized non-sag properties for clean and efficient work flow. With a creamy and smooth consistency for great haptics and workability and 3-hour pot life, it meets or exceeds ANSI A118.4, ANSI A118.11, and ANSI A118.15



Instructions: For mixing instructions, application data and more, please refer to the wedi PRO-SET Technical Data Sheet.

wedi® Joint Sealant

wedi® Joint Sealant is a product designed by wedi to meet our shower system performance needs. wedi® Joint Sealant is a flexible sealant and construction adhesive that creates strong connections between wedi assembly parts without additional tape reinforcement—used for standard wedi shower installations with the wedi Fundo® Shower Base, wedi Fundo® Curbless Shower Base, and wedi Fundo® Linear Shower Base.

wedi® Joint Sealant is indispensable in regular wedi shower assemblies to adhere, seal and reinforce seams and connections, and waterproof fastener points. No additional taping is needed! wedi® Joint Sealant is a single component Silyl Modified Polymer (SMP) for use in wedi product system installations as specified in installation manuals. The product is specially-formulated for high green strength (high immediate internal strength), adhesion in wet and alkaline environments, and permanent flexibility. The product forms strong connections between wedi components and provides watertight seals on and in joints and seams, and allows for dissipation of stress caused by shock, vibration, or thermal movement. It is used to waterproof, connect, and reinforce seams or fastener points. For an average wedi shower installation, you'll need to plan for approximately 1.2 oz. per square foot of wall panel surface in your shower.



i Did you know? Many common sealants and caulks are not suitable for installation in environments where they are exposed to wet thinset mortars behind tiles and will deteriorate over a span of few years. Wet thinsets chemically react with substrates and sealants applied to them can degrade and lose bond strength. wedi's sealants are specifically engineered and modified to offer lasting performance and are protected in the specific environment.


wedi® Pro-Preparation & Installation Accessories

wedi® PRO-SET™

Product Image	Product Name	Description	Unit	Item #
	wedi® PRO-SET™ Tile Adhesive	Modified tile adhesive optimized for adhesion with wedi® brand product surfaces in interior, wet area applications. Color: White	25 lb/bag	US5076012



i Developed for use with wedi® S-DRY™ and wedi Fundo® Shower systems and setting tile or stone. 100 bags per pallet. **Made in the U.S.A.**

... wedi S-DRY™ SEAL

Product Image	Product Name	Description	Product Contents	Unit	Item #
	wedi® S-DRY™ SEAL	To install wedi® S-DRY™ tape and corners or membrane overlaps in a waterproof way.	wedi® S-DRY™ SEAL Liquid - 32 oz. bottle wedi® S-DRY™ SEAL Powder 2 x 16 oz. bag wedi® S-DRY™ SEAL Trowel	1 bottle & 2 bags	US5076011

i To install wedi® S-DRY™ tape and corners or membrane overlaps in a waterproof way. Following mixing directions on packaging to create wedi® S-DRY™ compound. **Made in the U.S.A.**

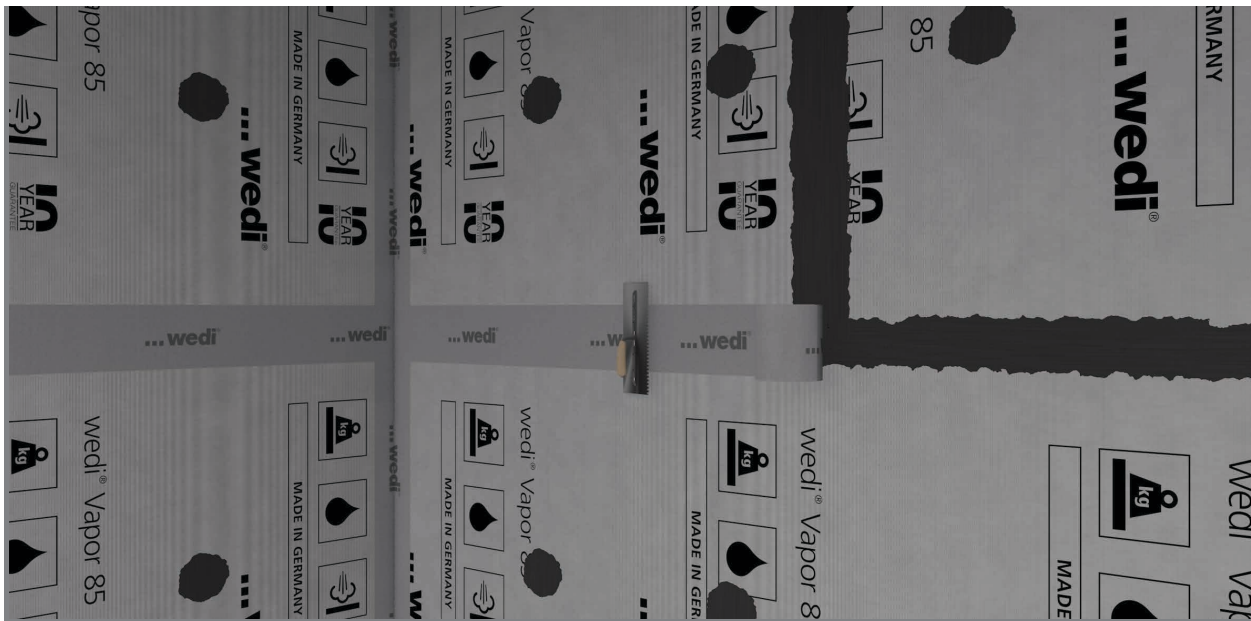
wedi® Joint Sealant

Product Image	Item Name	U.S.A.ge Amount / Optional or Needed	Contents	Unit	Item #	Description
	wedi® Joint Sealant Cartridge	Approximately 1.2 oz. per ft² of wedi® building panel on walls covers your needs for shower wall, base and curb installation; Prefabricated modules and design upgrades may require additional wedi® Joint Sealant.	10.5 oz.	12/case full cases only	US5000013	10.5 oz cartridge of SMP hybrid sealant to waterproof and connect wedi® assemblies
	wedi® Joint Sealant Sausage	Approximately 1.2 oz. per ft² of wedi® building panel on walls covers your needs for shower wall, base and curb installation; Prefabricated modules and design upgrades may require additional wedi® Joint Sealant.	20 oz.	20/case full cases only	US5000010	20 oz foil sausage of SMP hybrid sealant to waterproof and connect wedi® assemblies

i Permanently flexible, waterproof sealant and adhesive for joint treatment. **Made in U.S.A.**



Scan code to view current installation manuals and videos



wedi® Subliner Dry Sheet Waterproofing Membrane System

The wedi® Subliner Dry System includes the Subliner Dry Sheet Membrane, Sealing Tape, Prefabricated Outside and Inside Corner Tapes, and various Sealing Collars that waterproof entire structures, especially in shower and steam room construction. wedi® Subliner Dry is well suited for sealing measures over the pre-existing wall or floor underlayment, including drywall. Use Subliner Dry in combination with ceramic tiles, slabs, and natural cast tiles for indoor wall and floor areas. It has strong performance in steam showers and rooms due to its unique Vapor Resistance rating of 0.09 WVTR/Perms as tested using ASTM E96; method E.

Subliner Dry is a strong yet very pliable membrane. Installation steps, measuring, and cutting lines are printed on its surface. The Subliner Dry System includes many accessories, including wedi® Sealant 620 to achieve waterproof and vaporproof seams in the installation. Using wedi® Sealant 620 between sheet membrane seams is similar to the traditional technique of applying thinset mortar between sheets; but where taped and mortared seams will allow water to absorb and pass through it, seams sealed with wedi® Sealant 620 are 100% waterproof and vaporproof.

wedi also has special sealing tape options available, such as tub sealing tape. wedi® Tub Sealing Tape is equipped with a butyl-based adhesive strip which attaches to a plastic tub unit's outside perimeter edge before it is attached to blocking installed horizontally between framing studs. Here it creates a waterproofing back-up to a tub's traditional surround wall backers, which are prone to separate and leak at the transition from tub to wall.



Installing wedi® Subliner Dry

Installation on Floors or other suitable, non-waterproof underlayments or substrates



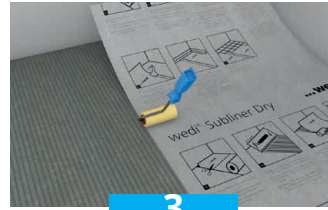
1

Lay out wedi® Subliner Dry and cut to size using a knife or scissors.



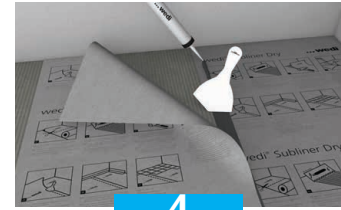
2

Apply thinset mortar to the prepared subfloor using a 1/8 inch x 1/8 inch or 1/4 inch x 1/4 inch notch trowel.



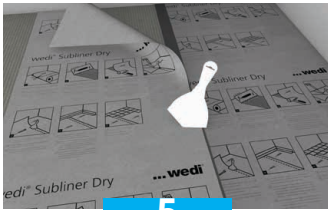
3

Insert wedi® Subliner Dry with the printed side facing upward and press on with a rubber grout float or paint roller. Remove air pockets and other foreign particles from below the sheets.



4

The sheets must overlap 2 inches at joints and transitions. Leave these overlapping areas free of any thinset and use tape to keep them folded upward and clean. Once the thinset has cured, apply wedi® Sealant 620 as a full bed onto the lower mats seam connection area and press the top overlap flat into the wedi® Sealant 620. If you cannot clearly see the wedi® Sealant 620 spread past the Subliner Dry overlap, a second bead should be applied on the seam, flattened to a minimum of 1 inch past each side of the seam.



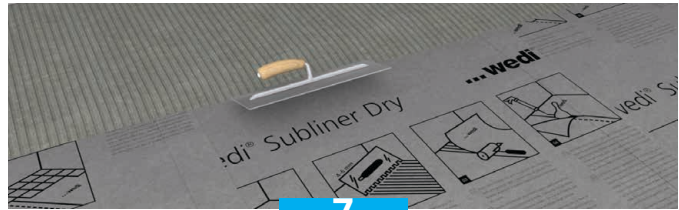
5

Spread the wedi® Sealant 620 flat using a putty knife. Cross joints should be avoided.



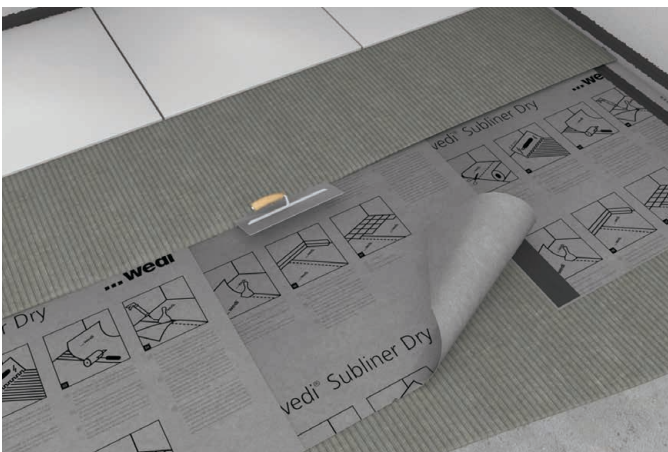
6

In complete wet rooms, wedi recommends to flash Subliner Dry up the wall by 2 inches where it is still invisible behind baseboard tile or wood applications.





7

Start setting tile once wedi® Sealant 620 has been allowed to cure for 24-hours. Exposure to water is possible after 48-hours providing that the wedi® Sealant 620 is dry to the touch. wedi® Sealant 620 is moisture curing and may require extended cure times in dry and cold climate or when installed below epoxy setting materials or larger format, dense tiles.



wedi® Subliner Dry Products


wedi® Subliner Dry

Product Image	Item Name	Width × Roll Length	Unit	Item #	Description
	wedi® Subliner Dry 53 ft²	39 in. × 16 ft. (53 ft²)	1 roll	US5000001	Tileable waterproof sheet membrane (53 ft² roll)
	wedi® Subliner Dry 323 ft²	39 in. × 98 ft. (323 ft²)	1 roll	US5000005	Tileable waterproof sheet membrane (323 ft² roll)

i Made in U.S.A.


i Installation in modified thinset tile adhesive such as wedi® PRO-SET™ and with seams overlapping at 2 inches wide or sealed with wedi® Subliner Dry Sealing Tape centered over a butted seam. Overlaps or Sealing Tapes embedded in wedi® Sealant 620 or wedi® S-DRY™ SEAL.

wedi® Subliner Dry Sealing Tape

Product Image	Item Name	Width × Roll Length	Unit	Item #	Description
	wedi® Subliner Dry Sealing Tape	5 in. × 32.8 ft.	1 roll	US5000002	Tileable waterproof sheet membrane tape (32 ft roll)



i Also for use within wedi® Subliner Dry, wedi® Vapor 85 applications, and installs with wedi® Sealant 620 or wedi® S-DRY™ SEAL for waterproof performance of seams throughout. **Made in U.S.A.**

wedi® Subliner Dry Tub Tape

Product Image	Item Name	Width × Roll Length	Unit	Item #	Description
	wedi® Subliner Dry Tub Tape	4 3/4 in. × 11 ft.	1 roll	US5000084	Waterproofing sheet membrane tape for tub to wall transition waterproofing

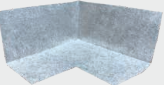
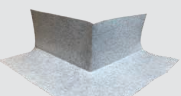
i Used with acrylic and plastic tubs and showers to waterproof tub edges without nailing flange to wall assemblies. **Made in U.S.A.**

wedi® Subliner Dry Sealing Collars

Product Image	Item Name	U.S.A.ge	Dimensions	Unit	Item #	Description
	wedi® Subliner Dry Pipe Seal	Flexi collar for sealing around 1/2 in. to 3/4 in. shower pipe protrusions	4 3/4 x 4 3/4 in.	1 pc	US5000033*	To waterproof shower head protrusions in shower walls
	wedi® Subliner Dry Mixing Valve Seal	Flexi collar for sealing around Mixing Valve	ø 3 15/16 in.	1 pc	US5000000	To waterproof mixing valve protrusions in shower walls

i These can be installed in all shower and steam room installations with wedi® Subliner Dry and the wedi® Vapor 85 system. In steam room installations be sure to use wedi® Sealant 620 or wedi® S-DRY™ SEAL. In wedi Fundo® shower assemblies and where applied over wedi® Building Panel, you may use regular wedi® Joint Sealant to install the products. **Made in U.S.A.** *Made in Poland.

wedi® Subliner Dry Corners ■ Tileable waterproof sheet membrane tape details for construction corner areas

Product Image	Item Name	U.S.A.ge	Dimensions	Unit	Item #	Description
	wedi® Subliner Dry Inside Corner	Apply to any inside corner within 36 in. of the shower	4 3/4 x 4 3/4 x 2 1/4 in.	2 pcs/ bag	US5000007	Tileable waterproof sheet membrane tape details for construction inner corner areas
	wedi® Subliner Dry Outside Corner	Apply to any outside corner within 36 in. of the shower; inc. between base & floor	4 3/4 x 4 3/4 x 2 1/4 in.	2 pcs/ bag	US5000008	Tileable waterproof sheet membrane tape details for construction outer corner areas

i Also for use within wedi® Subliner Dry, wedi® Vapor 85 applications, and installs with wedi® Sealant 620 or wedi® S-DRY™ SEAL for waterproof performance of seams throughout. **Made in U.S.A.**

Services and Added Value

Are you curious where to purchase wedi products? Head over to www.wedicorp.com and click on "where to buy wedi" to find your local wedi distributor or retailer, or give us a call today.

The value of strong partnerships is shown in the added value of our products and support.

For homeowners and renovators

- wedi is not an inexpensive product upfront, but wedi's product quality and 40+ years of experience are at work underneath the tile in your shower or wet room. That guarantees your investment will return much more value over its longer lifetime than what you could have saved by purchasing a low cost product initially.
- wedi is a safe product during installation and over its long lifetime. Our materials are sourced purposefully from safe, local and well-known vendors.
- wedi is American made and supports American workplaces and families - we are here when you need us.

For contractors / professional installers

- wedi offers comprehensive and accessible retail pricing in its catalogs which works with simple and competitive discounts provided to contractors.
- All products are made from highest quality ingredients and are designed to perform "Best-in-Class" in its competitive product category.
- wedi product systems are extremely fast, clean and simple to install allowing you to take on more projects every year.
- wedi product systems are prefabricated to the maximum practical extent, while still allowing easy onsite customization and installation.
- wedi's unique warranty programs for 10 years, 15 years, or a Lifetime protect you where it matters in your projects.
- wedi offers first time on site assistance when you install a new wedi product system. We also offer local certification classes and regional wedi PRO Certification classes for extensive training around safe shower system installation.

For builders & architects

- Have a fast track project or facing delays? wedi can help achieve your construction schedule.
- wedi's sales support managers can schedule with your firm to set up CEU classes nationwide.
- Do you have ambitious designs? wedi offers custom shower pans and products, with custom installation manuals to help achieve your design while maintaining the wedi warranty.
- wedi's master specification booklet, BIM library, and technical data sheets on www.wedicorp.com and on www.BIMObjects.com will help assist the specification process.
- wedi's sales support managers will help you plan, budget, and schedule your project.

For wholesalers & retailers

- wedi offers comprehensive and accessible retail pricing in its catalogs, which works with simple and competitive discounts provided to dealers and distributors.
- Our entire company and sales support team is focused on shower systems, and we are in the field to train your customers.
- We constantly offer innovative new products and cover all categories of shower system types with "Best-in-Class" product systems.
- wedi offers a wide assortment of show room and point of purchase support to assist your team with sales, marketing and project planning with your customers.
- Our product solutions feature a simple mix of components with attractive packaging - keeping your warehouse inventory lean and ensuring a safe and efficient order picking process.
- wedi's premium quality products and services are made in the U.S.A. and Germany.



wedi Added Value Programs

wedi Warranty and Warranty Extension

wedi provides a unique, strong and very comprehensive 10-Year Limited Warranty that addresses true risks and damages that may originate from a defective product. A copy of wedi's Warranty can be found on our website at: <https://wedicorp.com/wedi-warranty/>

In addition to our standard 10-Year Limited Warranty, wedi offers an extended 15 Year Limited Warranty and a Limited Lifetime Warranty available to cover projects registered by wedi Certified Installer PROs.

- wedi's performance shower systems, unprecedented warranty coverage, and service all combined for wedi installers
- Sign up for wedi PRO certification classes and enjoy wedi's 15 Year Limited Warranty or Lifetime Limited Warranty package warranty options*.

*PRO warranty extensions will require online registration, which can be done by visiting our website at: <https://wedicorp.com/wedi-warranty/>



Why is wedi's Limited Lifetime Warranty a meaningful warranty for homeowners? This is because the Lifetime relates to **their own lifetime** and is not a **product lifetime** warranty. As long as the homeowner lives in the building where the qualifying wedi product system is installed, the wedi warranty is there to protect and cover the investment.

At wedi - we want you to know what you can expect and depend on.

wedi Certified Installer and Certified Installer PRO Program

Ready to take your installations to the next level? Attend or request a wedi Certified Installer Workshop! wedi will visit distributor locations and host a standard workshop (completely free of charge!) going over wedi basic installations and certification. A local wedi Technical Sales Support Manager will provide a full installation demonstration, answer any installation or product questions you may have, and get you wedi certified! All attendees will become wedi Certified upon completion of the course. You can contact your local wedi TSSM to schedule a workshop now!



In addition to our standard workshop, wedi also offers a Certified Installer PRO workshop. Completion of a PRO workshop will qualify you to apply for the warranty extension mentioned above, for up to a Lifetime Limited Warranty. For more information on wedi's PRO workshops, please visit: <https://wedicorp.com/pro-signup/>



Scan this QR code now to visit our workshop calendar, and check out the next upcoming workshop dates!



To learn more about wedi's warranty, the PRO warranty extensions or to register a PRO warranty project, please visit:

<https://wedicorp.com/wedi-warranty/>

wedi Added Value Programs

wedi First Time Job Assistance Program

Are you an industry professional interested in becoming a wedi Certified Installer and receiving 1-on-1, in-person, on-site job assistance? Our dedicated technical sales support managers will attend your first job site with you and assist you with the install, absolutely free of charge! Your local wedi TSSM will help you install all elements of your project safely and correctly ensuring the wedi warranty is intact, provide insider information to help you get the job done efficiently, assist with a flood testing, and provide information to help you get the most out of wedi's product system.

You will receive a wedi Certification upon completion of the installation, so that you are ready to take on your next project immediately!

First Time Job Assistance must be applied for on wedi's website to ensure a Technical Sales Manager will be available to assist. Our TSSMs often have tightly packed schedules, so we ask that you apply early with at least 2 week notice for scheduling. In order to apply, you'll need to ensure your job site meets our criteria for assistance. You can learn more about what is needed on the job site by reviewing our First Time Job Assistance application on wedi's website.

Have questions about wedi's First Time Job Assistance? Visit our website to send us a contact message or give us a call today!



If you are ready to sign up for First Time Job Assistance now, visit <https://wediacorp.com/wedi-warranty/> Or scan the code!

Have a wedi TSSM onsite to help you install with confidence!

Before



After



wedi Added Value Programs

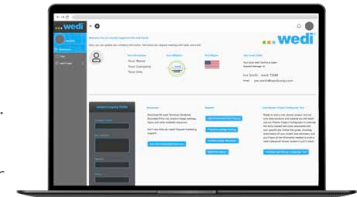
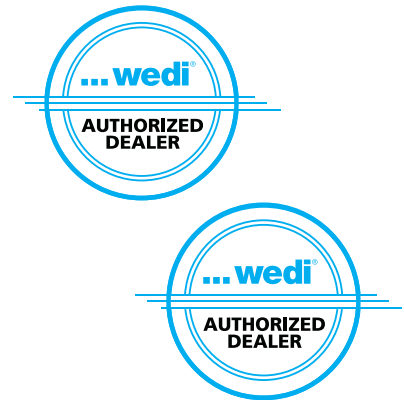
wedi Authorized Dealer & Authorized Wholesale Distributor Program

When it comes to choosing the best waterproofing system for custom tiled showers, wedi's 40+ years of experience as a market leading premium brand speaks for itself.

wedi offers an added value program for dealers and distributors! Every day, new customers approach wedi and ask where they can purchase our premium products from. By becoming a wedi Authorized Dealer or Authorized Wholesale Distributor, we can direct those customers to you!

by becoming a wedi Authorized Dealer or wedi Authorized Wholesale Distributor, you will gain:

- ✓ Local wedi Technical Sales Support Managers will help get you set up with marketing displays and sales supporting tools, as well as train your sales team on our "wedi in 5 steps" sales and shower project selection process. We follow up when new products arrive or when you are onboarding new showroom personnel.
- ✓ Gain access to the new wedi Portal experience, customized specifically for dealers.
- ✓ Receive updates on new wedi tools and products immediately.
- ✓ Access wedi's Product Image Catalog and copy for your website or campaigns.
- ✓ Receive contact regarding our training and certification programs such as our wedi PRO certification classes.
- ✓ Receive leads and customers through premium placement on wedi's "Where to buy wedi" locator on www.wedicorp.com.



To participate, you will need to apply on our website. Once your application has been approved, wedi will send you a welcome box, including an Authorized Dealer or Authorized Wholesale Distributor sticker for your store's front door, and an access invitation to the wedi Portal! For questions about these programs, please contact your local wedi Technical Sales Support Manager.

Contact information for wedi's Technical Sales Support Managers can be found on our website at: www.wedicorp.com/contact-local-wedi-services/

Ready to become a wedi Authorized Dealer?

Scan code to apply!



Or visit: wedicorp.com/authorized-dealer-signup

Ready to become a wedi Authorized Wholesale Distributor?

Scan code to apply!



Or visit: wedicorp.com/authorized-distributor-signup

wedi Fundo®, wedi® Vapor 85 and wedi® Building Panel

Technical performance testing and standards compliance

Technical Properties / Performance	Product Standard / Test Method	wedi® Building Panel	wedi® Vapor 85 Panel	wedi Fundo® Shower System
Standard Specification for Rigid, Cellular Polystyrene	ASTM C 578 *	Compliant	Compliant	Compliant
American National Standard Specifications for Test Methods and Specifications for Foam Core Backer Boards	ANSI A118.18	Compliant	Compliant	Compliant
Tileable Shower Receptors And Shower Kits	IAPMO PS106	N/A, but tested and compliant within shower system	N/A	Compliant
R-Value	ASTM C518	4.3hr ft. 2 F/Btu/in (R Value for 1" wedi = 4.3)	4.3hr ft. 2 F/Btu/in (R Value for 1" wedi = 4.3)	4.3hr ft. 2 F/Btu/in (R Value for 1" wedi = 4.3)
Tensile Strength	ASTM D1623-09	76 psi	N/A	N/A
Shear Bond Strength	ANSI A118.18 Minimum performance requirement 50 psi	7 day Shear Strength Dry: 184 psi. 7 day Shear Strength Wet: 122 psi. 4 week Shear Strength Dry: 216 psi. 12 week Shear Strength Dry: 217 psi. 100 day Shear Strength Wet: 201 psi.	7 day Shear Strength Dry: 72.4 psi. 7 day Shear Strength Wet: 71.4 psi.	N/A, see wedi® Building Panel and IAPMO PS106 compliance
Waterproof	ANSI A118.18; ANSI 118.10 Section 4.5	Passed	Passed	Passed
Waterproofness of Assembly	ANSI A118.18, IAPMO PS106	Passed	Passed	Passed
Water Vapor Transmission	ASTM E 96-2016	N/A	Permeance / Perms 0.03 and WVT (grains/h x ft ²) 0.05	N/A
Capillarity		Zero	Zero	Zero
Fungus / Bacteria Resistance	ANSI A118.18, IAPMO PS106	Passed, Zero Growth	Passed, Zero Growth	Passed, Zero Growth
Flexural Strength	ANSI A118.18; ASTM C203 Minimum Performance requirement 212 psi.	973 psi.	1035 psi.	N/A
Robinson Floor Test	ANSI A118.18; ASTM C627	Heavy duty commercial use, passed	N/A	N/A
Fastener Pull Through	ANSI A118.18; ASTM D1037 Section 15 Minimum performance requirement 75 lb.	Wet 131.8 lb./Dry 196.2 lb.	Wet 240 lb./Dry 226 lb.	N/A
Temperature Limits		-58 / +165° F	-58 / +120° F	-58 / +165° F
Accelerated Aging	AC 71 - 25 Cycles	No disintegration; Passed	N/A	N/A
Linear expansion with change in moisture content	ANSI A118.18; ASTM D1037-12, Section 24 Minimum Requirement < 0.2%	Passed, 0.04%	Passed, 0.04%	Passed, 0.04%
Surface Burning Characteristics	ASTM E84-16 (NFPA 255, ANSI / UL 723, UBC 8-1); ANSI A118.18	Flame Spread Index (FSI): 20 Smoke Developed Index (SDI): 70 Classification: Class A Tested as is without tile finish	Flame Spread Index (FSI): 0 Smoke Developed Index (SDI): 25 Classification: Class A Tested with surface covered with 12x12x 3/8 in. porcelain tile and 1/8 in. grout lines.	N/A, see wedi® Building Panel
Load bearing capability; weight of tile and setting materials/ sft		On walls up to 23 lb/sft. On ceilings up to 15 lb/ sft.	On walls up to 14 lb/ sft. On ceilings up to 10 lb/ sft.	N/A, see wedi® Building Panel
Floor and Trench Drain Compliance	ASME A112.18.2	N/A	N/A	Passed, Compliant (ICC PMG 1189)
Seam Strength	ASTM D751-11 (requirement 8 lb/in width)	Passed, 36.4 lbs	Passed, 23.2 lbs	N/A
Squareness	ANSI A118.18 requirement deviation < 1/32 in./ft length of product	Passed, 0 inches	Passed, 0 inches	N/A
Thickness	ANSI A118.18 requirement deviation < +/-0.04 in.	Passed	Passed	N/A

Weight for wedi® Building Panels	Width	Length	Thickness	Weight
wedi® Building Panel	48 in.	60 in.	1/4 in.	12 lb.
wedi® Building Panel	48 in.	60 in.	1/2 in.	13 lb.
wedi® Vapor 85 Panel	48 in.	96 in.	1/2 in.	27 lb.

Building Code and standards compliance


Approvals & Certificates				
Approvals and certificates applicable to entire product system or components as required	City of New York, MEA 912-52-SM	Fundo Shower Systems & Building Panels: ICC PMG 1189 (for U.S.A. and Canada)	Meets all applicable ANSI / ISO Standards incl. ANSI A118.18, ANSI A118.10, IAPMO PS106	TCNA handbook recognized for wall, floor, countertop, & more applications
Contact us to obtain approval & compliance information related to state or area specific building code.	City of Los Angeles Approved. Please see ICC PMG report.			

Environmental Consideration
Contains no unbonded fire retardants like HBCD (Hexabromocyclododecane) which has been banned in Canada and is a toxic substance of high concern with the US EPA. Contains no formaldehyde.

Highlights
Blue XPS core is 100% waterproof and remains fully functional even after partial damage- specially engineered for 100% consistency of its closed-cell structure. The particular cell structure design ensures compression strength where it is needed, internal waterproofness and an easy cut experience.
wedi product surfaces include specially designed and manufactured fiberglass mesh, fully embedded in the coating. It won't break, and it offers a structure with texture for perfect tile adhesion. The strong backing properties of the panels start with the mesh surface coating.
wedi's foam-based products are made with extrusion agents in compliance with the Montreal Protocol, helping to reduce Global Warming Potential (GWP). The foam-based products are made from 25% recycled content. wedi recycles all foam waste occurring in its manufacturing facilities
wedi does not compromise safety or composition and provides safe fire behavior and protection. wedi uses consistent levels of fully polymeric bonded flame retardant (PFR) that does not release over time. wedi products meet international standards such as REACH and the UN's Stockholm Convention Protocols. The foam is precisely milled and cut to produce tile underlayment surfaces with absolutely perfect dimensions. All milling waste is recycled. wedi joint sealants are Polyisocyanates and PVC free and are zero VOC sealants.


...wedi S-DRY™ Performance and Technical Data

Technical performance testing and standards compliance

Property	Test Method	ANSI Specification	Test Result
Fungus Resistance	A118.10 Section 4.1	No Growth	Pass
Steam Strength	ASTM D751 Procedure B	> 8 lbs. / inch width	Pass
Breaking Strength	ASTM D751 Procedure B	> 170 psi (12 kg/cm ²)	Pass; Traverse Direction: 993 psi, Longitudinal Direction: 1680 psi
Dimensional Stability - 48h @ -15±2°F	ASTM D1204	+/- 0.7%	Pass; Traverse Direction: -0.05, Longitudinal Direction: -0.09
Dimensional Stability - 48h @ -158±2°F	ASTM D1204	+/- 0.7%	Pass; Traverse Direction: -0.29, Longitudinal Direction: -0.36
Waterproofness - 55h cm head of water for 48h	ASTM D4068	No water penetration	Pass
Shear Bond Strength to Cement Mortar			
Shear Strength (7 days) , Pass (72 psi) Shear Strength (4 weeks), Pass (77 psi) Shear Strength (12 weeks), Pass (99 psi) Shear Strength (100 day water immersion), Pass (74 psi)	A118.10 Section 5.4	> 50 psi (5 kg/cm ²)	Pass (65 psi)
Four Week Shear Strength	A118.10 Section 5.5	> 50 psi (5 kg/cm ²)	Pass
Compliance			
Shower System meets and Exceeds IAPMO PS 106 (Shower Tiling Kits)			
Quality Assurance and Building Code Compliance Certification: ICC PMG 1189 			

wedi PRO-Preparation & Installation System Technical Data

Technical performance testing and standards compliance

ISO 13007 Classification	Classification Requirements	
C2 (cementitious, improved adhesion)	≥ 145 psi (1 MPa; 10.2 kg/cm ²) after standard aging, heat aging, water immersion and freeze/thaw cycles	
T (vertical slip resistance)	≤ 0.019 in. (0.5 mm)	
E (extended open time)	≥ 72.5 psi (0.5 MPa; 5 kg/cm ²) after 20-30 minutes	
28-Day Test	Test Method	ANSI Specification
Impervious ceramic (porcelain) mosaics shear strength	ANSI A118.15	> 400 psi (2.76 MPa; 28 kg/cm ²)
Glazed wall tile shear strength	ANSI A118.15	> 450 psi (3.11 MPa; 31.5 kg/cm ²)
Compliance		
		

Technical data according to wedi quality standards

All data based on a partial, in-lab mix. Mixing and testing completed at 70°F / 21°C Physical properties are typical values and not specifications.

Coverage:	1/8 x 1/8 in. (3 mm) sq. notch trowel = 100 - 103 ft ² (9.29-9.57 m ²) per bag 1/2 x 1/2 in. (12 mm) sq. notch trowel = 25 - 28 ft ² (2.3 - 2.6 m ²) per bag
Color:	White
Packaging:	25 lb. (11.3 kg) bag
To install a 3 x 5 ft. wedi® S-DRY™ Shower System (3 walls + curb):	Plan for approximately 2 bags of wedi® PRO-SET™
To install a 4 x 6 ft. wedi® S-DRY™ or wediFundo® Shower Base:	Plan for approximately 1 bag of wedi® PRO-SET™
Storage:	Store in a cool, dry area. Do not leave units exposed to sun. Protect unused material by removing air from container and sealing tightly.
Shelf life:	12 months, if unopened and properly stored
Warranty:	wedi® Limited Warranty applies. For full warranty details, please visit the Warranty section of this book or visit: www.wedicorp.com/wedi-warranty/

ICC-PMG 1189 Report ■ National Building Code Compliances

WEDI FUNDO® SHOWER SYSTEM AND TILE BACKER BOARD UNDERLAYMENTS	
CSI	DIVISION: 22 00 00 – PLUMBING. Section: 22 40 00 – Plumbing Fixtures (Shower System Kit)
Product certification system	The ICC-ES product certification system includes testing samples taken from the market or supplier's stock, or a combination of both, to verify compliance with applicable codes and standards. The system also involves factory inspections, and assessment and surveillance of the supplier's quality system.
Product	wedi Fundo® Shower System, wedi® S-DRY™ Shower System, wedi® Builder Choice Shower System, wedi® Building Panel, wedi Builder Choice Tile Backer, wedi® Vapor 85 and wedi® Subliner Dry.
Listee	wedi Corporation ■ 1160 Pierson Drive, Batavia, IL 60510. www.wedicorp.com
Compliance with the following codes	2024, 2021, 2018, 2015, 2012 and 2009 International Plumbing Code® (IPC) 2024, 2021, 2018, 2015, 2012 and 2009 International Residential Code® (IRC) 2024, 2021, 2018, 2015, 2012 and 2009 International Building Code® (IBC) 2024, 2021, 2018, 2015, 2012 and 2009 National Standard Plumbing Code® (NSPC) 2024, 2021, 2018, 2015, 2012 and 2009 Uniform Plumbing Code® (UPC)* 2025, 2022, 2019, 2016 and 2013 California Plumbing Code (CPC)* 2023, 2020 and 2017 City of Los Angeles Plumbing Code 2025, 2020, 2015, 2010 and 2005 National Plumbing Code of Canada** * Uniform Plumbing Code is a copyrighted publication of the International Association of Plumbing and Mechanical Officials ** National Plumbing Code of Canada is a copyrighted publication of National Research Council Canada
Compliance with the following standards	ANSI A118.10-2023, Load Bearing, Bonded, Waterproof Membranes for Thinset Ceramic Tile and Dimension Stone Installations ANSI/TCNA A118.18-2023, Test Methods and Specifications for Foam Core Backer Boards ASME A112.18.2/CSA B125.2-2020, Plumbing Waste Fittings ASTM E 96-2024a, Standard Test Methods for Gravimetric Determination of Water Vapor Transmission of Materials ASTM E 331-00(R23) Standard Test Method for Water Penetration of Exterior Windows, Skylights, Doors, and Curtain Walls by Uniform Static Air Pressure Difference ICC-ES EG 159, Evaluation Guideline for Composite Backer Board (Approved Dec 2004) ICC-ES AC 71, Acceptance Criteria for Foam Plastic Sheathing Panels Used as Water Resistive Barriers (Approved Feb 2003, Ed Revised Nov 2018) IAPMO PS 46-2012, Field Fabricated Tiling Kits IAPMO PS 106-2015e1, Tileable Shower Receptors and Shower Kits
Identification	Packaging label for each system shall include the manufacturer's name or trademark as well as the ICC-ES PMG certification mark.
Installation	The wedi Fundo®, wedi® S-DRY™ Shower System and wedi® Builder Choice Shower System shall be installed in accordance with the manufacturer's published instructions and the applicable code(s). The wedi Fundo®, wedi® S-DRY™ Shower System and wedi® Builder Choice Shower System components shall be assembled and can be customized in the field. When provided drains must comply with ASME A112.18.2/CSA B125.2 as applicable. The wedi® pre-sloped, ready-to-tile shower bases may be used in lieu of a CSA B45.5/IAPMO Z124 plastic shower receptors or any liner based shower installations. The wedi® drain units do not require weep holes.
Models	The wedi Fundo®, wedi® S-DRY™, and wedi® Builder Choice Shower Systems consist of the following: a) The wedi Fundo®, wedi® S-DRY™ and wedi® Builder Choice shower bases are waterproof, pre-sloped, ready-to-tile floor units. The shower bases with linear and point drainage include factory sealed parts integrated into the floor bases and can be installed with or without curbs in recess, barrier free installations. b) The wedi® Building Panels and wedi® Builder Choice Tile Backers are inherently waterproof and are engineered as a general purpose backer board and underlayment for tile. They also serve as an integral part of the wedi Fundo® or wedi® Builder Choice shower system and consist of a rigid extruded polystyrene foam covered on both sides with a cement-based resin surface and reinforcing mesh for durability and bond performance with tile adhesives. c) The wedi® Vapor 85 Building Panel may be used with or without wedi Fundo®, wedi® S-DRY™, and wedi® Builder Choice shower systems. It is a specialized building panel featuring the original wedi® Building Panel but with its vapor exposed side protected by wedi® Subliner Dry or wedi® S-DRY™. The wedi® Vapor 85 was tested to ASTM E96 Procedure E as a complete assembly with the wedi® 620 Sealnt or wedi® S-DRY™ SEAL and wedi® Subliner Dry sealing tape or wedi® S-DRY™ Tape over seams and fastener points and was found to have a perm rating of 0.03 perms which meets the permeance rating requirement of 0.5 perm or less and can be used in continuous use steam shower/room applications without additional vapor retarders in accordance with Tile Council of North America (TCNA) 2014 Handbook for Ceramic Glass and Stone Tile Installation (SR613-14 and SR614-14). d) The wedi Fundo®, wedi® S-DRY™ and wedi® Builder Choice Shower System accessories which may include the following waterproof components: wedi® pre-sloped curbs, wedi® niches and niche shelves, wedi® seats and benches, wedi® shower base extensions and ramps, wedi® fasteners, wedi® drain cover and drain cover frames, wedi® Joint Sealant, wedi® Fundo Click and Seal® drain, wedi® S-DRY™ drain, wedi® S-DRY™ BFD Bonding Flange Drain, wedi® S-DRY™ sheet waterproofing membrane system and tapes, wedi® Subliner Dry sheet waterproofing membrane system and tapes, wedi® Subliner Dry Tub Sealing Tape or wedi® Curbless Shower Recess Kit. The wedi Fundo® family line includes the following: wedi Fundo® (shower bases with a point drain and for primary use with curbs), wedi Fundo® Linear (shower bases with integrated linear drain and featuring single slope or 4-way slope designs) and wedi Fundo® Curbless (shower bases for curbless floor-level entry showers and with a point drain). The wedi® S-DRY™ family line includes the following: wedi® S-DRY™ shower bases, wedi® S-DRY™ Waterproofing Sheet Membrane, wedi® S-DRY™ BFD Bonding Flange, wedi® S-DRY™ Seal (2-component seam waterproofing), wedi® S-DRY™ Curb, wedi® S-DRY™ Extension and wedi® S-DRY™ Tape and Prefabricated Corners. The wedi Fundo®, wedi® S-DRY™, and wedi® Builder Choice Shower system components and assembly for shower installations were proven to be waterproof, water-resistant, and mold resistant when tested in accordance with A118.10 and ASTM E331. The wedi® drains have been found to comply with ASME A112.18.2/CSA B125.2 and do not require weep holes.
Conditions of Listing	1. The wedi Fundo®, wedi S-DRY™ and wedi® Builder Choice Shower Systems, wedi® Building Panels, wedi® Builder Choice Tile Backer Boards, Sentinel PRO by wedi Foam Core Backer Boards and these products System Accessories, wedi® Vapor 85 and wedi® Subliner Dry and these products Accessories shall be installed in accordance with the manufacturer's published instructions and the applicable code(s). 2. The wedi Fundo®, wedi S-DRY™ and wedi® Builder Choice Shower Systems, wedi Vapor 85® and Sentinel PRO by wedi Foam Core Backer Boards are under a quality control program with annual surveillance inspections by ICC-ES.

Warranty Program for wedi Product Systems

General 10-Year Limited Warranty

wedi Corp. (“wedi”) warrants that for a period of 10 years from the date of purchase, products it sells bearing the **wedi name (“wedi Brand Products” or the “Products”)** shall be free of manufacturing defects and conform to wedi’s published specifications and performance standards, subject to the terms, conditions, and limitations set forth herein.

The following products and product families are **excluded** from this warranty and are covered under their own specific warranties (each, a “Specific Warranty”): “wedi Builder Choice” and “Sentinel PRO by wedi.” This exclusion is not limited to the products named above; it applies to any products bearing the wedi name along with an additional brand or designation in the product name that have a separate warranty.

Where wedi publications specify or recommend the use of these excluded products in combination with wedi Brand Products, the installation will be covered solely under the applicable Specific Warranty for the excluded products.

The wedi Brand Product warranty applies only to product applications that are:

- (a) specifically approved and any limitations specified in wedi’s published materials; and
- (b) installed in accordance with wedi’s published requirements, limitations and installation manuals as well as applicable building codes and accepted industry standard guidelines.

15-Year Limited Warranty and Lifetime Limited Warranty

In certain circumstances described herein, in lieu of the 10-Year Limited Warranty, wedi offers:

- a **15-Year Limited Warranty** (“15-Year Limited Warranty”); or
- a **Lifetime Limited Warranty** (“Lifetime Limited Warranty”).

In each case, wedi warrants that the wedi Brand Products will be free from manufacturing defects and will conform to wedi’s published specifications for the duration of the applicable warranty period.

Eligibility Requirements — To qualify for either the 15-Year Limited Warranty or the Lifetime Limited Warranty, all of the following conditions must be met:

1. The Products must be installed by a “PRO Certified Installer” (as defined herein).
2. The installation must be a “Registered Installation” (as defined herein).
3. The Products must be installed in a “Residential Use Building/Dwelling” (as defined herein).
4. The system installation must remain unchanged from the time of original installation through the end of the ownership and occupancy by the Owner (as defined herein), who must be the end user and sole beneficiary of these warranties.

1. 15-Year Limited Warranty applies to a wedi shower system (including steam showers) project exclusively using all of the following products needed to install complete wedi® shower and / or steam shower systems including:

- a. wedi Fundo® or wedi® S-DRY™ Shower Base and drain (unless installation is a wall surround with a pre-made surface finished shower base or tub only);
- b. wedi® Building Panels or wedi® S-DRY™ (wedi® Vapor 85™ installation system in steam room installations);
- c. wedi® Joint Sealant and wedi® Fastener System or wedi® S-DRY™ and wedi® S-DRY™ SEAL; and
- d. a wedi® Curb, Ramp, or floor entry and floor transition waterproofed by wedi® Building Panels, wedi® S-DRY™ or wedi® Subliner Dry™ waterproofing membrane system (unless installation is a wall surround with a pre-made surface finished shower base or tub only). Installation Requirements.
 - wedi Fundo® and wedi® S-DRY™ product family components may be combined in applications where recommended and as shown in applicable wedi installation manuals.
 - wedi® Building Panels, wedi® S-DRY™, or wedi® Vapor 85 or, or wedi® Subliner Dry must be installed to cover all shower walls exposed to water or water vapor, or any wall surfaces considered wet areas Res2, Res3, Res4, Com2, Com3, or Com4 (as defined by the TCNA Handbook on Ceramic, Glass, and Stone Tile Installation), and must be installed at least 6 inches higher than every water inlet or shower head and on all surfaces in the case of steam shower/room applications.

The 15-Year Limited Warranty is available to Owners who are also occupants and end users of residential dwellings or property only.

- 2. Lifetime Limited Warranty** applies to a wedi shower system (including steam showers) project meeting the definition of a 15-Year Warranty Installation, and where in addition wedi® PRO-SET™ thinset mortar is used to install S-DRY™ membranes, S-DRY™ or Fundo® shower bases, and S-DRY™ and Fundo® Curbs or in any wedi product application where a thinset mortar application is required by wedi's installation manual. The Lifetime Limited Warranty is available to Owners who are also occupants and end users of residential dwellings or property only.
- 3. PRO Certified Installer** means an individual who has successfully completed wedi® PRO Certification classes and holds a valid certificate as a PRO Certified Installer issued by authorized wedi® personnel. Unless earlier revoked or terminated, PRO Certification expires on the fourth (4th) anniversary of the date of issuance.
- 4. Owner** is defined as the original owner of the property into which the wedi® product is installed. Owners who can qualify for wedi's 15-Year Limited Warranty or Limited Lifetime Warranty are an end user and occupant of the property into which the wedi® system is installed. The 15-Year Limited Warranty or Lifetime Limited Warranty is not transferable to another person or entity.
- 5. Lifetime** is defined as that period of time the original wedi® System installation remains unchanged and under the continuous ownership of the Owner, who also is the end user of the residence in which the wedi® product is installed.
- 6. Residential use building/dwelling** is defined as a building used as a private residence (example: single family home or unit inside a multi-family construction building).
- 7. Registered Installation** means a project which has been installed by a wedi® PRO certified installer with current certification, and in which wedi® has been provided the following within thirty (30) days of installation of the Products:
 - a. Residence/Building Owner Information (name of owner(s); residence/building address);
 - b. Installer Information (name of installer and company; PRO certification ID Number; address and contact information);
 - c. Minimum of two digital photos of the wedi® installation (prior to installation of surface coverings), including a close-up of the entire wedi® product installation; and
 - d. Copy of the purchase invoice of the Products. Registrations can be made on www.wedicorp.com. The Registered Installation has to be approved by wedi® and a certificate is provided to conclude the registration.

LIMITATIONS ON COVERAGE

Neither the 10-Year Limited Warranty, 15-Year Limited Warranty, nor the Lifetime Limited Warranty (collectively, "wedi Warranties") apply to:

- a. Products damaged, expired (if expiration specified and expressly noted by wedi), or misused after leaving wedi's possession;
- b. Products not handled or stored according to wedi's written guidelines;
- c. Products not installed in strict compliance with applicable wedi installation manuals and guidelines, applicable building codes, and accepted industry standards;
- d. Products which have undergone a repair, re-installation, or replacement which was not authorized by wedi in writing;
- e. Damage resulting from a defect in a product not sold by wedi and not bearing the wedi name or logo;
- f. Damage resulting from a defect in the structure or component of the structure and/or framing to which the Products were affixed;
- g. Damage resulting from failure to quarantine or take other protective steps to remove hazardous substances such as mold and mildew, and failure to restrict people from accessing areas affected by hazardous substances;
- h. Claims arising from expired Products that references an expiration date, or Products which were not installed within 6 months of purchase, or Products installed in buildings which remained vacant for a period of 6 months any time after installation;
- i. Claims arising in buildings vacant for 4 weeks or longer prior to either occurrence or observance of Product's manufacturing defect or damage;
- j. or any other cause not related to manufacturing defects of the Products (such as grout defects, efflorescence and other tile surface related defects).

WARRANTY COVERAGE

If, within the applicable warranty period, any Product does not meet wedi's published specifications due to a manufacturing defect ("Non-Conforming Product"), wedi® will, subject to all other terms of this Warranty document and at its sole and absolute discretion, do one of the following:

- a. Remove, Replace or Repair the non-conforming product and attached installations which are damaged as a result of the non-conforming wedi® Product. Precise duplicates of surface finish products, such as tile, may not be available, but where applicable, substantially similar products may be used as a substitute; or
- b. Refund the original cost of the installation or a proportionate part of the cost as needed to mitigate an isolated, damaged portion of the installation.

WEDI'S MAXIMUM LIABILITY

For projects covered under wedi's 15-year Limited Warranty, wedi's maximum liability for any claims following the first 10 years of the warranty period shall not exceed ten thousand (10,000) U.S. dollars (\$10,000). For projects covered under wedi's Lifetime Limited Warranty, wedi's maximum liability for any claims following the first 10 years of the warranty period shall not exceed ten thousand (10,000) U.S. dollars (\$10,000) and following the first 15 years of the warranty period shall not exceed five thousand (5,000) U.S. dollars (\$5,000).

NO OTHER WARRANTIES

No representative, dealer, or any other person is authorized to provide any warranty, representation, condition, or promise on behalf of wedi® with respect to the Products. No terms or conditions other than those stated herein or provided by law, and no agreement or understanding, shall modify the wedi® Warranties, unless made in writing and signed by an authorized representative of wedi.

EXCLUSIVE REMEDY

THE WEDI® WARRANTIES CONTAINED HEREIN ARE IN LIEU OF ANY AND ALL OTHER WARRANTIES, EXPRESS OR IMPLIED, INCLUDING THE IMPLIED WARRANTIES OF MERCHANTABILITY AND FITNESS FOR A PARTICULAR PURPOSE. WEDI SHALL NOT BE RESPONSIBLE FOR CONSEQUENTIAL, INCIDENTAL, INDIRECT, OR SPECIAL DAMAGES OF ANY KIND, INCLUDING CLAIMS FOR LOST PROFITS, EXCEPT AS EXPRESSLY PROVIDED ABOVE. SOME STATES AND PROVINCES DO NOT ALLOW THE EXCLUSION OR LIMITATION OF INCIDENTAL OR CONSEQUENTIAL DAMAGES, SO THE ABOVE LIMITATIONS OR EXCLUSIONS MAY NOT APPLY TO YOU. THIS WARRANTY GIVES YOU SPECIFIC LEGAL RIGHTS, AND YOU MAY ALSO HAVE OTHER RIGHTS, WHICH VARY FROM STATE TO STATE, AND PROVINCE TO PROVINCE.

DISCLAIMER FOR INSTALLATION

WEDI® ONLY WARRANTS THE "PRODUCTS" (AS DEFINED ABOVE). THE WEDI WARRANTIES DO NOT APPLY TO INSTALLATION, AND WEDI MAKES NO REPRESENTATIONS OR WARRANTIES REGARDING THE WORK OF ANY INSTALLER, INCLUDING CERTIFIED OR WEDI® PRO CERTIFIED INSTALLERS. UNDER NO CIRCUMSTANCES SHALL WEDI® BE LIABLE FOR ANY CLAIM, LOSS, OR DAMAGES ARISING OUT OF THE PERFORMANCE OF AN INSTALLER.

DISCLAIMER FOR NON WEDI PRODUCT USED IN THE INSTALLATION

WEDI® ONLY WARRANTS THE “PRODUCTS” (AS DEFINED ABOVE). THE WEDI® WARRANTIES DO NOT APPLY TO SUBSTRATES, SUBSTRUCTURES, SURFACE FINISH PRODUCTS, INSTALLATION ADHESIVES OR GROUTS OR OTHER NON-WEDI® PRODUCTS INTRODUCED IN THE INSTALLATION AND MAKES NO REPRESENTATION OR WARRANTIES REGARDING THE FITNESS OF THESE STRUCTURES OR PRODUCTS FOR THE INSTALLATION OR THEIR COMPATIBILITY WITH WEDI® PRODUCT. UNDER NO CIRCUMSTANCES SHALL WEDI® BE LIABLE FOR ANY CLAIM, LOSS, OR DAMAGES ARISING OUT OF THE PERFORMANCE OF A NON – WEDI® PRODUCT OR STRUCTURE IN THE INSTALLATION OR THEIR EFFECT ON WEDI® PRODUCT.

NON-TRANSFERABILITY AND CONTINUING WARRANTY COVERAGE

The wedi® Warranties extend only to the owner and occupant of the residence or building into which the Products are installed at the time of installation (“Claimant”). The wedi® Warranties are not transferable or assignable, except upon the transfer of title to the residence or building from a developer to its first non-developer owner and occupant or where required by applicable law. If any Product is repaired or replaced under the wedi® Warranties, ongoing warranty coverage (if applicable) shall continue from the original date of purchase, and not the date of the repair or replacement.

NOTICE TO WEDI

wedi® shall have no obligations under the wedi® Warranties unless wedi is provided timely notice of the claim as described below.

Notice of all wedi® Warranty claims must be provided to wedi® immediately upon noticing a defect but no later than thirty (30) days of when a defect would have been reasonably noticed. Failure to provide timely notice may limit or void coverage under the wedi® Warranties.

All claims must be registered under this link:

<https://wedicorp.com/en/claims>

Continued use of the defective installation or non-wedi® approved attempts to repair may limit or void wedi’s warranty coverage.

In addition to online registration, notice of a potential claim must be provided in writing to:

wedi Corp. c/o Customer Service

1160 Pierson Dr.

Batavia, IL 60510

(p): (877) 933-WEDI (9334)

(f): (847) 357-9819.

wedi® shall be afforded a reasonable period of time to investigate all claims. Such investigation will include but not be limited to: authorization and access to perform testing, as wedi deems necessary to adequately analyze the jobsite conditions. As a condition of warranty coverage and upon wedi’s request, Claimant must provide copies of all invoices for the Products, as well as invoices for the surrounding building materials, and their installation.

Requirements/Limitations for wedi products used in Shower and Wet Room applications

- wedi products are only used for interior installations in buildings.
- wedi product can be used in both residential and many heavy-duty commercial use/building applications. Please contact wedi for specific use ratings, testing, and certifications.
- Ensure you choose the right wedi product designed for the intended application, including walls, floors, shower floors, seats, benches, curbs, ramps, countertops, and many more.
- Store wedi products flat in their original packaging in a dry interior building. Avoid exposure to direct sunlight/UV and humidity.
- wedi foam-based products can deform at temperatures over 165°F. Therefore, when using wedi products over kitchen countertops or near fire places, ensure limited heat exposure. wedi membrane (S-DRY™) and wedi membrane covered foam core products (Vapor 85) should not be directly exposed to more than 120° F. All wedi products must be protected against direct UV and sunlight during store and shipping.
- Do not use wedi products with solvent-based adhesives, rubberized solvents, or ketones.
- Please read wedi Safety Data Sheets before working with wedi products.
- wedi foam products are not used for sound reduction applications, but they offer waterproofing and thermal insulation properties. wedi products should not be installed over heated floor systems or where they may trap moisture.
- wedi® Building Panels are waterproof but not sufficiently vaporproof for use in steam rooms. Use the wedi® Vapor 85 Building Panel and its system accessories in steam room applications. wedi Fundo® Shower bases, when applied over cold or uninsulated substrates, should be vapor-proofed using wedi® S-DRY™ sheet membrane system. When used in steam rooms, curbs, seats, or benches must be vapor-proofed using the wedi® S-DRY™ sheet membrane system.
- Do not integrate or install other products through wedi Fundo® or wedi® S-DRY™ shower floors. For example, when installing objects to wedi® Building

Panels, such as towel holders or handlebars, these cannot be anchored in the wedi product but require anchoring in the structural construction behind wedi® Building Panels. Alternatively, solid mounting boards can be installed into the surface of some wedi® Building Panels so that fasteners can be applied. Contact wedi for specific project recommendations.

- Do not use wedi products in assemblies for submerged installations before contacting wedi to ensure proper material choice and installation processes and techniques.
- Do not install additional products except intended and approved surface finish materials. These items may interfere with wedi's performance. For example, they may not be waterproof (e.g., uncoupling membranes are not waterproof due to open seams, contain a large amount of thinset mortar and should not be used over wedi shower floors).
- When installing electric floor heating systems over wedi foam-based products, these should be installed over wedi's cement coating surface. Integration of cables into wedi foam-based product creates the risk of heat build-up and malfunction due to heat being trapped in wedi's insulating material. Hydronic floor heating systems may be integrated into wedi foam-based products if they do not penetrate or threaten the stability of the product.
- wedi foam-based products have a Class A rating for fire behavior and safety and are equipped with modern and fully bonded fire retardants. wedi



products can be used in residential and commercial use buildings on the interior. In applications that require interior walls, floors, or ceilings to provide a fire-resistant barrier, wedi products must be installed over fire-resistance-rated substrates, such as rated drywall or gypsum assemblies.

- wedi® Joint Sealant and wedi® Sealant 620 are moisture curing products. In colder temperatures and lower humidity in the air present, the curing process may be heavily delayed. It may take up to 48 hours longer than in ideal conditions (72°F and 50% RH). Do not expose the sealants to water before a firm skin has formed and the sealant is no longer pliable and will not leave a sticky residue when touched. In a low humidity environment, it can be helpful to treat assembly seam areas with a moist sponge before applying sealant (puddles must be avoided).
- Concrete and wooden subfloors, metal and wooden wall framing, and other suitable substrates over which wedi product systems can be installed must be made of adequate material quality and be built in compliance with the applicable Building Code.
- Suitable substrates and their surfaces must be clean and even. Remove any residues, oil, waxes, grease, or other contaminants acting as possible bond breakers. Also, remove any unintended obstructions and protrusions, such as nails sticking out from surfaces.
- Suitable substrates must be sufficiently loadbearing and minimize the potential for a movement that may cause stress on the product and cause damage. Over horizontal surfaces such as floors or benches, but not over framed ceilings, wedi product must be fully supported by a solid subfloor. Over vertical surfaces such as wall framing and including the underside of ceilings, you must install appropriate wedi® Building Panels directly over framing studs. Deflection of all subfloor and wall framing installations must not exceed L/360 for ceramic tile installations over wedi product and L/720 for dimensional stone installations over wedi product under consideration of live and dead loads. Measurements are taken on the wooden subfloor in the center between floor joists. On concrete floors, measurements are taken in the center between beams or calculated based on formulation and design. On walls, measurements are taken mid-framing stud and mid-track or plate on framed walls. You can find design requirements and recommendations in the following: the International



Residential Code (IRC), International Building Code (IBC), the Engineered Wood Association (APA) manuals, The Steel Framing Alliance guides, American National Standards Institute (ANSI), American Society for Testing and Materials (ASTM), and Test Methods and the Tile Council of North America's Handbook for Ceramic, Glass and Stone Tile Installation (see Details for "Cementitious Coated Extruded Foam Backer Board").

Minimum design requirements for substrates:

- Wood subfloor joist spacing up to 16 inches o.c. — use with a minimum thickness of $\frac{23}{32}$ inch T&G exterior grade or Exposure 1 rated plywood or OSB of $\frac{23}{32}$ inch with $\frac{1}{8}$ inch of a gap between sheets.
- Wood subfloor joist spacing greater than 16 inch o.c. and up to 24 inch — use with a structure comprised of one $\frac{23}{32}$ inch T&G exterior grade or Exposure 1 rated plywood with $\frac{1}{8}$ inch of a gap between sheets and one additional layer of minimum $\frac{3}{8}$ inch thick exterior rated or Exposure 1 rated plywood with $\frac{1}{8}$ inch gap between sheets.
- Wall framing is made of 2 x 4 wood framing studs or metal studs 20 ga. or heavier. Wall framing studs are generally spaced no greater than 16 inches o.c. and fully support all wedi® Building Panels in all corners of the framework. Framing spaced greater than 16 inches o.c. and up to 19.2 inch o.c. can be covered with wedi® Building Panels in 1 inch thickness. Framing spaced greater than 19.2 inches o.c. and up to 24 inches o.c. can be covered with wedi® Building

Panels in 2 inch thickness. Contact us for specific solutions that work with framing studs spaced or designed differently than listed here.

- Shower seats and benches must be designed and constructed to meet the same deflection criteria as used for subfloors. In addition, they must provide a solid substrate over framed studs for the horizontal seat area, such as plywood sheeting.
- Semi-freestanding wall framing or half/pony walls must be designed and constructed to meet the same deflection criteria for regular integrated wall framing. In addition, they must be reinforced to avoid the excess potential for movement, especially as their outer framing posts are not fully attached to other construction.
- All wedi® Building Panels can be used over suitable subfloors.
- wedi® Building Panels from ½ inch thick or more may be used directly over framing studs on walls or underside of ceilings.
- All wedi Fundo® or wedi® S-DRY™ shower bases and curbs must be installed over a subfloor and cannot be installed directly over floor joists.
- Do not use wedi products over substrates including, but not limited to: general particleboard (specific exceptions apply), luan, asbestos, plank, bamboo, hardwood, chipboard, sponge-backed vinyl tile/ flooring, laminates, fiberglass-based surfaces, metal or steel surfaces. In addition, do not install over any dimensionally unstable surfaces. Consult wedi for questions regarding specific approved installations not listed here.
- Existing cracks in subfloor must be filled and secured.
- Do not use wedi product over control and expansion joints subject to out-of-plane movement or in-plane movement.
- Suitable floor substrates must be level within the permissible range. Any leveling of the subfloor must be done prior to installing wedi products and tile. Subfloor maximum variation from plane must not exceed ¼ inch in 10 ft. and 1/16 inch in 12 inches when tile over wedi product is used and all edges of the tile are shorter than 15 inch For installations over wedi product using tile with at least one edge 15 inches or longer in length, maximum allowable variation is ¼ inch in 10 ft. and no more than 1/16 inch in 12 inches Make sure to use leveling materials adequate to the challenges of the application. When leveling or building up larger areas, including outside the

shower, do not use a material that can be affected by even low water exposure.

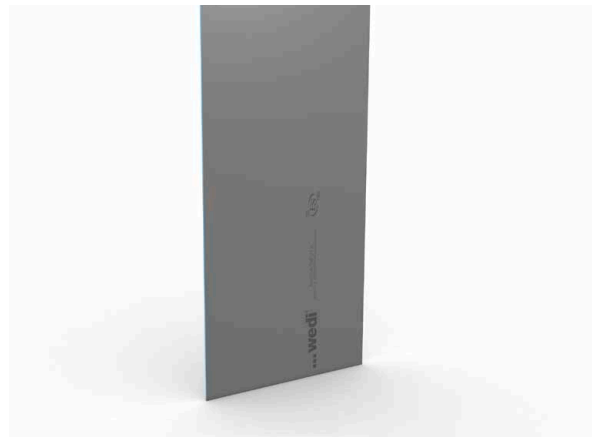
- Suitable substrates, where planes change, must be squared to allow for a safe fit and connection between wedi products joined in an assembly.
- Suitable substrates must be dry and cured within permissible range before installing wedi products and must be kept dry after installation.
 - Wood subfloors, structures attached to wooden subfloors, and all wall and bench framing must be kept dry, and wood moisture content must be maintained at consistent service and use levels not exceeding 15%. Where constant moisture or vapor is present, ventilation must be installed to eliminate exposure of the wood structure from below the wedi product layer.
 - Concrete and cement-based subfloors and structures must be fully cured (at least 28 days but up to 3 months for new Portland cement-based concrete or lightweight concrete under



Please note that wedi product systems might trap rising moisture during cure time or in general from uninsulated concrete ground floors not equipped with a vapor barrier. Concrete subfloors must not be subject to hydrostatic water pressure. Do not use wedi product where substrate is subject to excessive moisture and moisture content changes.

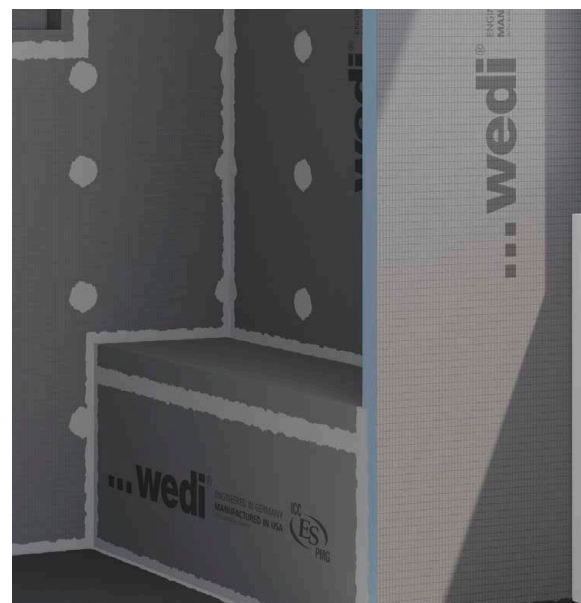
normal conditions, depending on thickness, mix ratio, and ambient climate). Field verification of full cure (see moisture level indicators below) is necessary to determine a full cure. In addition, residual humidity must not exceed the following value per each floor type when setting wedi product and/or tile coverings:

- Calcium Sulphate Screeds: 0.5%
- Calcium Sulphate Screeds, heated: 0.3%
- Cement Screeds: 3.5%
- Gypsum based underlayment: 1% (or per manufacturer recommendation)
- Anhydrite Screeds: 0.5%
- Conduct measures with CM device.
- wedi products must be used with suitable tile adhesive, grout, and tile.
 - Do not use wedi products as a wear surface or without tile or other suitable coverings.
 - When adhering wedi product to subfloors or other horizontal areas such as benches, choose a cement-based thinset or epoxy-based thinset adhesive designed to work with the substrate and wedi's cement-based surface coating. We generally recommend cement-based thinsets meeting or exceeding ANSI 118.4 (Modified Dry Set Cement Mortar such as wedi® PRO-SET™). Ensure that a thinset mortar coverage of 95% or more is achieved to fully bond and support the wedi product or the tile. This is especially important in wet area applications in order to avoid water moving and accumulating between wedi and tile. Ensure that the thinset mortar application thickness is within the permissible range for these products and does not exceed a thickness in excess of ¼ inch (when compressed). Use a range of notch trowels to adhere these wedi products:
 - wedi® Building Panel on floors or solid walls: min. ¼ in. x ¼ in. up to max. 5/16 in. x 5/16 in. square notch trowel and applied to floor substrate (compressed thinset thickness 1/8 in.– 5/32 in.). A skim coat of thinset mortar may be applied to the wedi® Building Panel to improve the bond.
 - wedi Fundo® and wedi® S-DRY™ Shower Bases on floors: min. 3/8 in. x 3/8 in. up to max. ½ in. x ½ in. square notch trowel and applied to floor substrate (compressed



thinset thickness 3/16 in.– ¼ in.). A skim coat of thinset mortar must be applied to the wedi shower base using the flat side of the trowel to ensure an improved bond.

- wedi® S-DRY™ Sheet membranes on walls and floors: min. 1/8 in. x 1/8 in. square notch trowel or 1/4 x 3/16 in. V notch trowel and applied to the substrate (compressed thickness approx.. 1/16 in.)
- wedi® Subliner Dry Sheet membranes and sealing tapes on floors or walls: min. 3/16 in. x 3/16 in. up to max. ¼ in. x ¼ in. square notch trowel and applied to the substrate (compressed thinset thickness 3/16 in.– 5/32 in.)
- Alternatively, different notch trowel types can be used on panel type wedi product like shower bases if the result is compressed thinset layer thickness within the recommended range. This may require applying a notched thinset layer on



both the substrate and wedi product.

- All thinset mortar applications over substrate and wedi product should be flat troweled on surfaces before combing through the mortar using the notched side of the trowel.
- Some substrates may require priming to allow for thinset mortar adhesion (such as gypsum underlayment and drywall with mud-taped joints). wedi® Building Panels are installed to wall framing using wedi fasteners, including washers for safe load distribution. wedi's coated coarse-thread screws are suitable for use with wood framing and framing 20 ga. or lighter. In heavier metal framing, use wedi self-tapping screws. The fasteners are applied through wedi® Building Panel into the framing stud at a rate of one fastener per every 1 ft. on a wall, and at a rate of one fastener per every 6 inches on a ceiling. Where possible, wedi fasteners should be installed into seams between adjacent panels to create smooth transitions. Wall framing must be square and plumb. wedi does not recommend wet shimming between framing studs and wedi® Building Panels. This application is outside the intended design and performance of most general use thinset mortars.
- wedi® Building Panels are installed to solid walls, such as drywall, plywood, or concrete/brick surfaces, using thinset mortar (substrates may require priming). Where possible, fasteners should be used additionally to help with compressing the thinset mortar while it cures.
- wedi® Building Panels are installed to a horizontal substrate such as a subfloor using thinset mortar adhesive and wedi fasteners set at a rate of one fastener per square foot of wedi panel on the floor. Where possible, wedi fasteners should be installed into seams between adjacent panels to create smooth transitions. Tabless wedi washers are available for wedi® Building Panels 1/4 in. or 3/8 inch when used on a floor. The flat washers will not interfere with the wood subfloor, unlike wedi's tab washers when used with thinner Building Panels. No fasteners are used on small horizontal substrates, such as sloped benchtops or half wall tops.
- wedi products are suitable for coverings made of ceramic and porcelain tile, glass tile (except wedi® PRO-SET™ is not used with glass tiles), natural stone tile and slabs, and select composite material claddings. These are installed with suitable and specific thinset mortars recommended by wedi or the tile manufacturers, but these have to be suitable for wedi products.
- wedi recommends using thinset and grout mortar setting materials suitable for installation and adhesion to the specific substrate/subfloor type and the tile to be installed. We recommend thinset and grout mortar materials that meet the classifications of ANSI 118.3, ANSI 118.4, ANSI 118.11, or ANSI 118.15.
- Steam showers or steam rooms use only setting materials specifically recommended by the manufacturer for this application and submerged and hot temperature areas. Setting materials recommended by wedi are commonly solid epoxies (meet or exceed ANSI 118.3) or high-performance modified mortars (meets or exceeds ANSI 118.15 such as wedi® PRO-SET™).
- Do not use premixed and organic mastic mortars when installing wedi products to substrates or when installing tile in wet area environments as these may cause mold growth and may not perform well in a wet area environment or when applied between surfaces with low or no water absorption capability.
- wedi® PRO-SET™:
 - Keep in original packaging, dry and protected from weather. Keep out of reach of children.
 - Not for setting moisture-sensitive tile and stone
 - Not for setting glass tiles.
 - Contact us before setting highly absorbent tile and for resinbacked tile and stone.
 - Do not use in submerged or exterior applications
 - Substrates must be adequate and meet requirements for tile substrates as per TCNA handbook for ceramic, glass and stone tile installation and ANSI. Surfaces must be structurally sound, stable and strong enough to support tile. Substrate deflection under all live, dead and impact loads, including concentrated loads, must not exceed L/360 for thin bed ceramic tile installations or L/480 for thin bed stone installations where L=span length (except

where local building codes specify more stringent deflection requirements

- During installation and cure, substrate and ambient temperatures must be a minimum of 50° F / 10° C.
- Do not set tile over any mortar which skinned over and observe open time.
- Do not add any cements or or other materials.
- Be mindful of dust when mixing and add water to bucket first. Use adequate PPE and see PRO-SET TDS and SDS. Contains portland cement and silica sand. Causes severe skin burns and eye damage. Wear protective gloves, protective clothing and eye protection. In case of contact, flush thoroughly with water. Do not take internally. Silica sand may cause cancer, respiratory irritation or serious lung problems. Do not breathe dust. Wear a respirator in dusty areas.
- All dry times are calculated at 70°F (21°C). Drying time is a function of jobsite temperature and humidity conditions. Low substrate temperatures and/or high ambient humidity will extend the drying time. Adequate ventilation and heat will aid drying. Do not force drying of wedi® PRO-SET™.
- Dispose of packaging and residue in accordance with prevailing regulations. Do not flush material down drains.
- Do not reuse packaging.
- Not for use directly over particle board, luan, Masonite® or hardwood floors.
- wedi® S-DRY™ SEAL:
 - Keep in original packaging, dry and protected from weather. Keep out of reach of children.
 - Do not use in submerged or exterior applications.
 - Do not allow material to freeze.
 - During installation and cure, substrate and ambient temperatures must be a minimum of 50° F / 10° C.
 - Do not install product over movement joints and consider placement of expansion joint details as per TCNA detail EJ171.
 - Do not add any cements or or other materials.
 - Be mindful of dust when mixing and add liquid component to bucket first. Use adequate PPE and see wedi® S-DRY™ SEAL TDS and SDS. Contains portland cement and silica sand. Causes severe skin burns and eye damage. Wear protective gloves, protective clothing and eye protection. In case of contact, flush thoroughly with water. Do not take internally. Silica sand may cause cancer,

respiratory irritation or serious lung problems. Do not breathe dust. Wear a respirator in dusty areas.

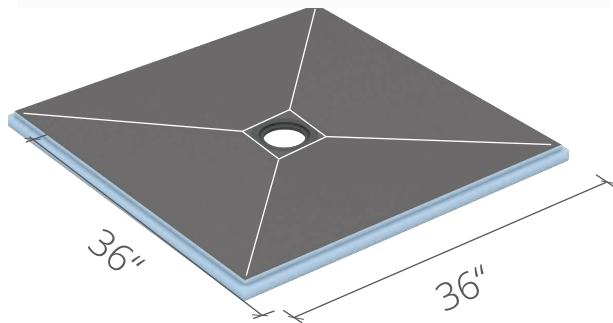
- All dry times are calculated at 70°F (21°C). Drying time is a function of jobsite temperature and humidity conditions. Low substrate temperatures and/or high ambient humidity will extend the drying time. Adequate ventilation and heat will aid drying. Do not force drying of wedi® S-DRY™ SEAL
- Dispose of packaging and residue in accordance with prevailing regulations. Do not flush material down drains.
 - Do not reuse packaging.
- Follow setting material manufacturers' recommendations for cure time of thinset and grout mortar materials and do not subject the materials and the application to traffic, load, or moisture (e.g., shower use). Premature exposure may lead to failure of these materials to develop inherent strength, and it may lead to continual setting processes that wear and tear on other products in the assembly.
- A wedi installation does not replace the need for Expansion and/ or Movement joint placement within a tile installation. Follow recommendations found in the TCNA guidelines (Detail EJ171).
- wedi® Building Panel can carry a tile covering weight and loads of up to 23 pounds per square foot on walls and up to 15 pounds per square foot on ceilings.
- When setting tile over wedi® Vapor 85, please choose appropriate setting material and tile for use in steam rooms and steam showers. We recommend not to use natural stone tile or slab. We recommend to use porcelain tile with low water absorption potential (as classified in ANSI 137.1). We recommend the use of solid epoxy setting mortar and grout (as per ANSI 118.3). Please note that tile application over wedi Vapor 85 panels is limited to a combined load and weight of tile and setting materials of up to 14 lb per square foot, and on ceilings up to 10 lb per square foot.



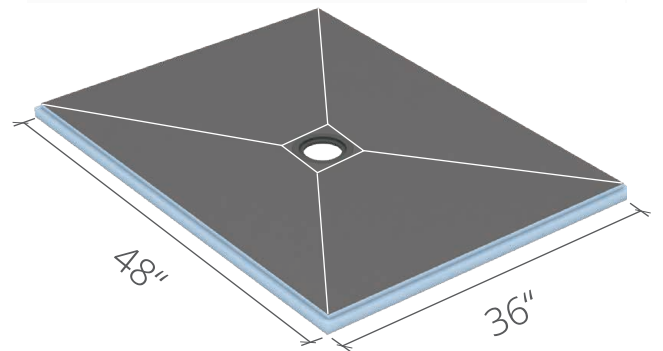
wedi Fundo® Shower Base ■ Technical Drawings

i White lines indicate where slope fields meet on shower base.

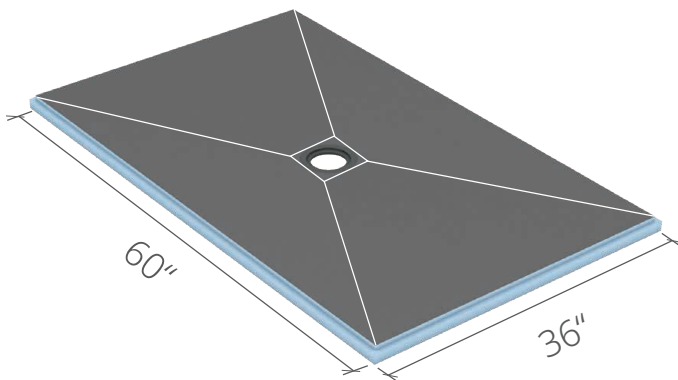
wedi Fundo® Shower Base
36 in. x 36 in. x 1 37/64 in.
US9100001



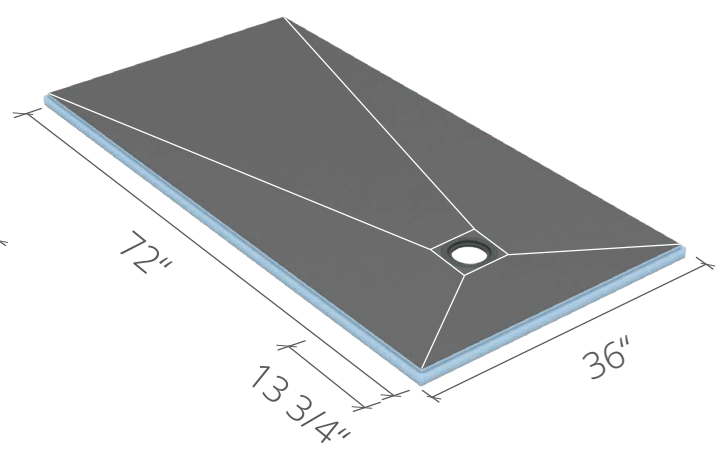
wedi Fundo® Shower Base
36 in. x 48 in. x 1 37/64 in.
US9100002



wedi Fundo® Shower Base
36 in. x 60 in. x 1 37/64 in.
US9100004



wedi Fundo® Shower Base
36 in. x 72 in. x 2 in. (off-center drain)
US9100005

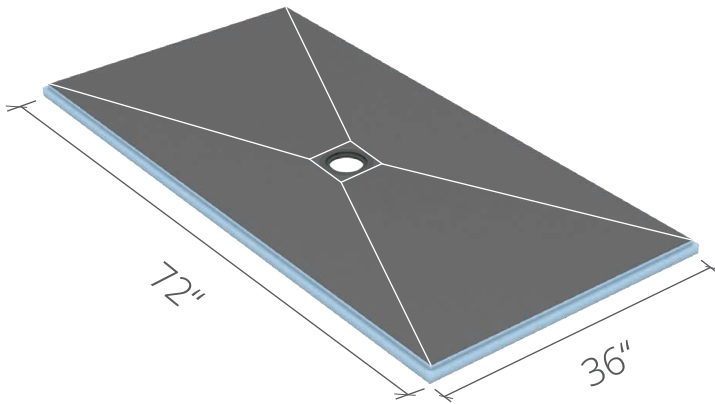


13 3/4" edge to center of drain

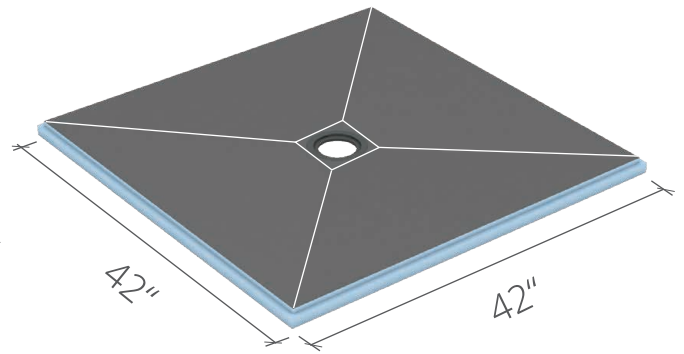
wedi Fundo® Shower Base ■ Technical Drawings

i White lines indicate where slope fields meet on shower base.

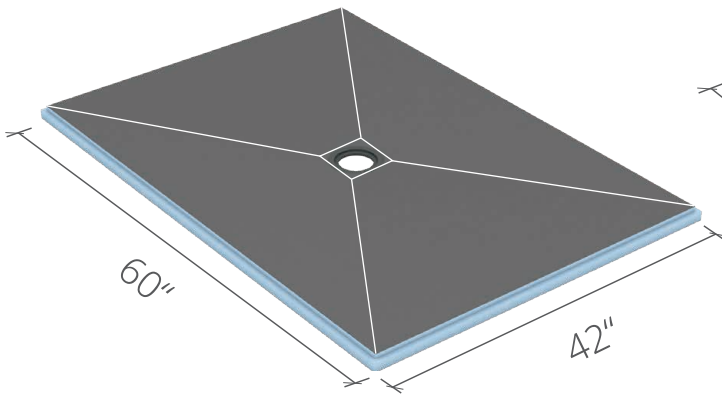
wedi Fundo® Shower Base
36 in. x 72 in. x 1 37/64 in. (center drain)
US9100006



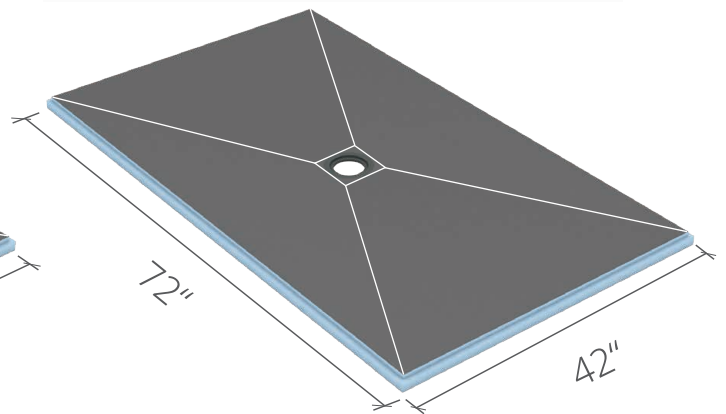
wedi Fundo® Shower Base
42 in. x 42 in. x 1 37/64 in.
US9100017



wedi Fundo® Shower Base
42 in. x 60 in. x 1 37/64 in.
US9100007



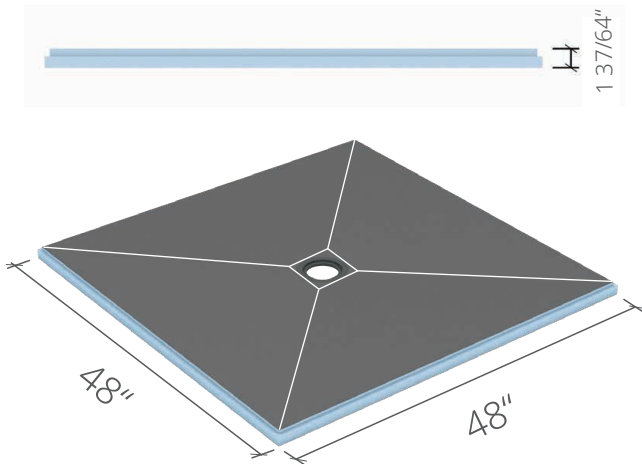
wedi Fundo® Shower Base
42 in. x 72 in. x 1 37/64 in.
US9100008



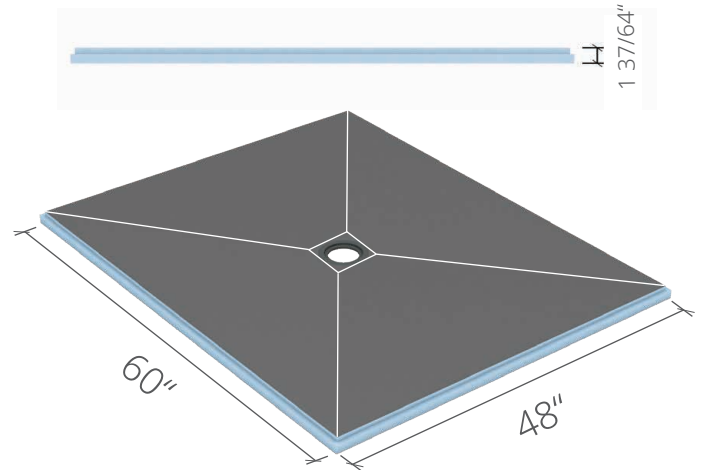
wedi Fundo® Shower Base ■ Technical Drawings

i White lines indicate where slope fields meet on shower base.

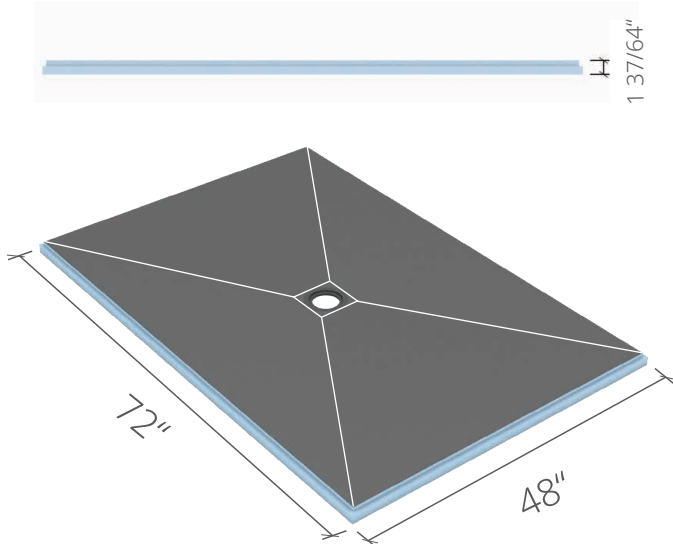
wedi Fundo® Shower Base
48 in. x 48 in. x 1 37/64 in.
US9100003



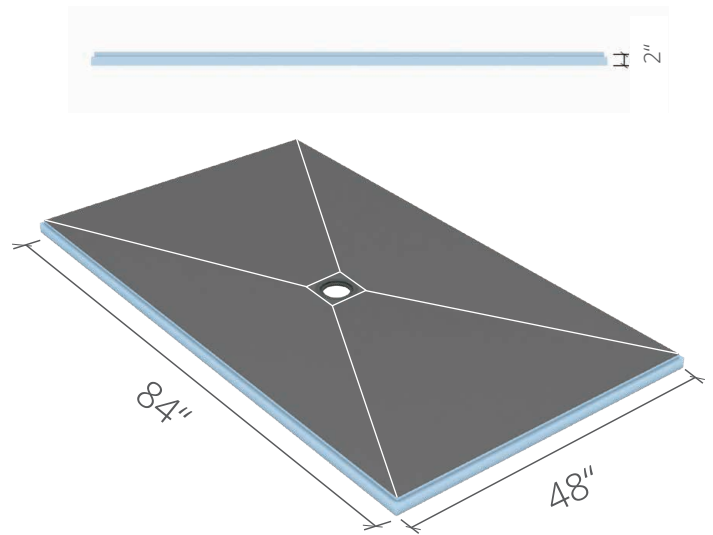
wedi Fundo® Shower Base
48 in. x 60 in. x 1 37/64 in.
US9100009



wedi Fundo® Shower Base
48 in. x 72 in. x 1 37/64 in.
US9100010



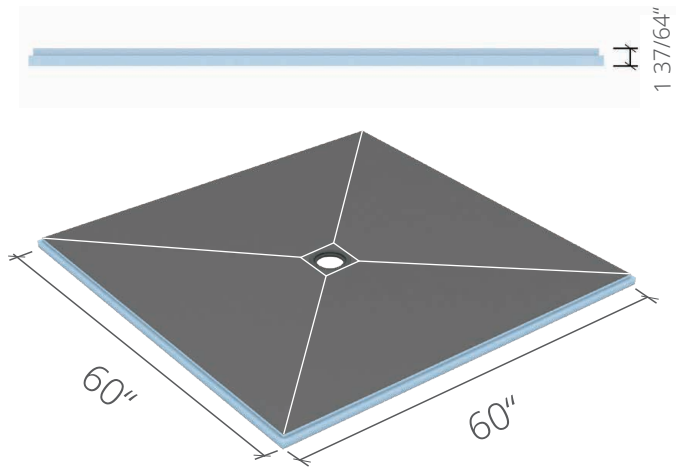
wedi Fundo® Shower Base
48 in. x 84 in. x 2 in.
US9100014



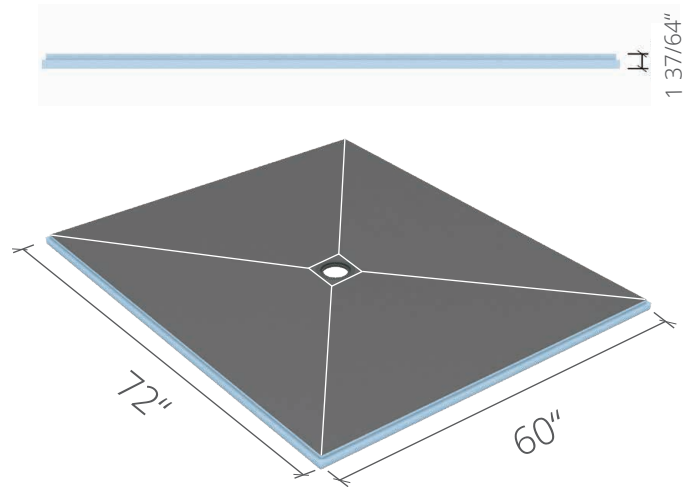
wedi Fundo® Shower Base ■ Technical Drawings

i White lines indicate where slope fields meet on shower base.

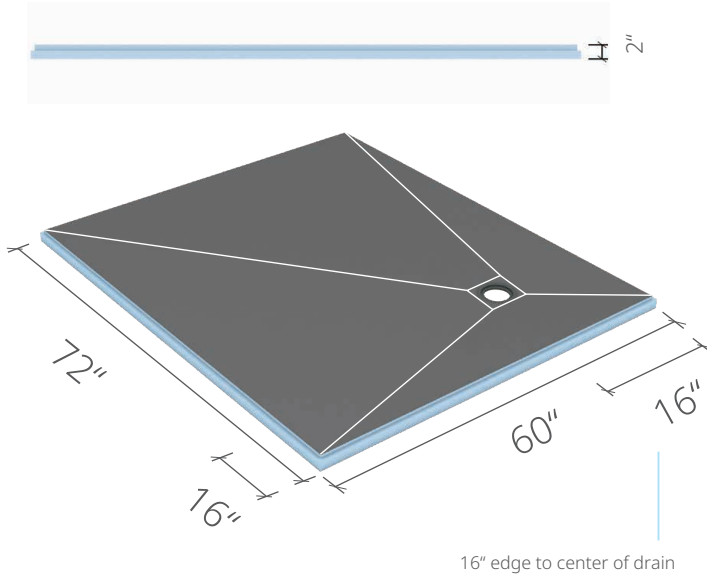
wedi Fundo® Shower Base
60 in. x 60 in. x 1 37/64 in.
US9100011



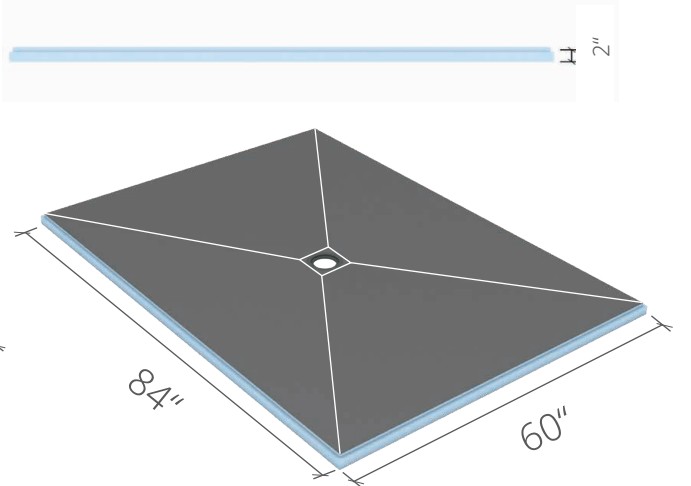
wedi Fundo® Shower Base
60 in. x 72 in. x 1 37/64 in.
US9100012



wedi Fundo® Shower Base
60 in. x 72 in. x 2 in. (off-center drain)
US9100013



wedi Fundo® Shower Base
60 in. x 84 in. x 2 in.
US9100015



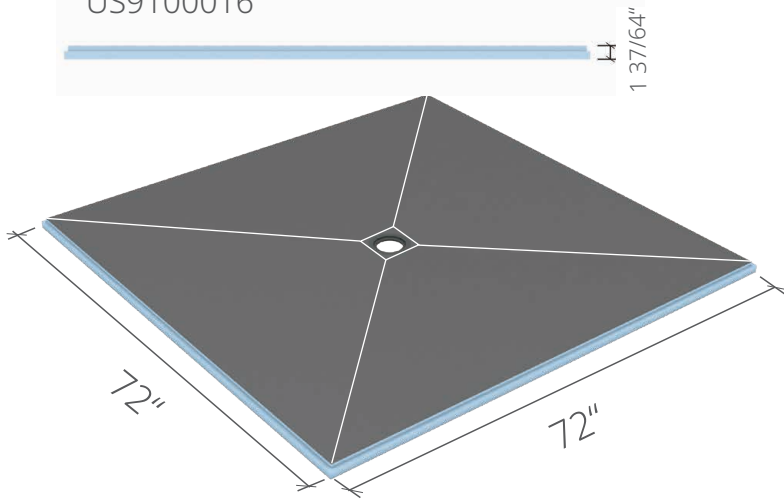
wedi Fundo® Shower Base ■ Technical Drawings

i White lines indicate where slope fields meet on shower base.

wedi Fundo® Shower Base

72 in. x 72 in. x 1 37/64 in.

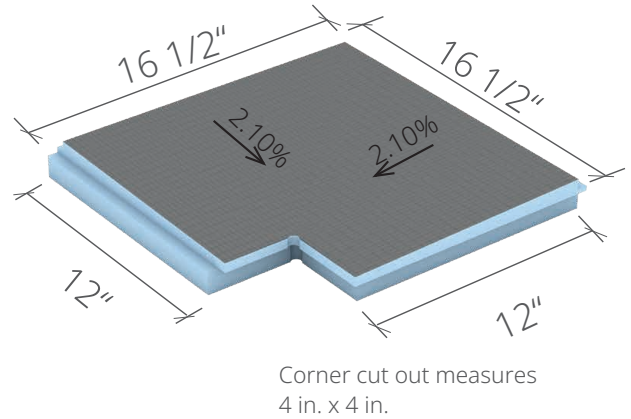
US9100016



wedi® Shower Corner Extension

16 1/2 in. x 16 1/2 in. x 1 13/16 in.

US3000053

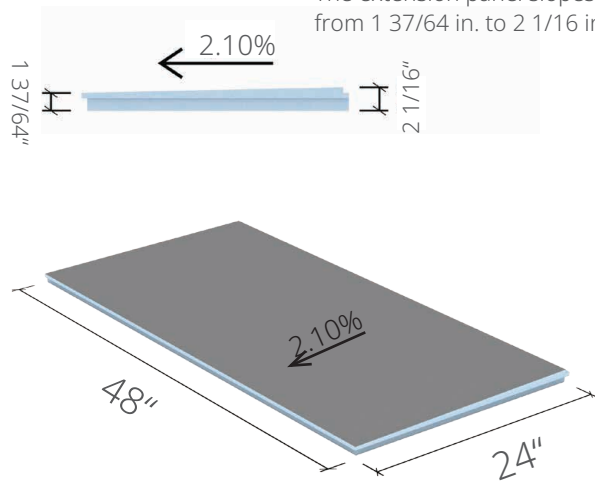


wedi® Shower Extension

24 in. x 48 in.

073783528

The extension panel slopes from 1 37/64 in. to 2 1/16 in.

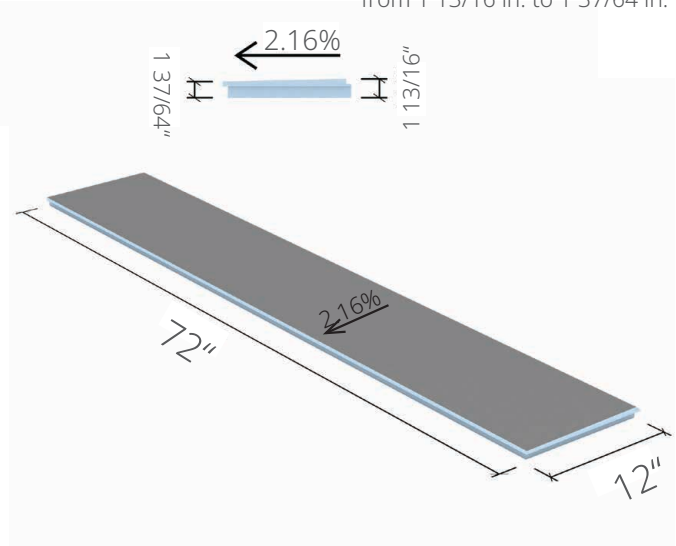


wedi® Shower Extension

12 in. x 72 in.

US3000036

The extension panel slopes from 1 13/16 in. to 1 37/64 in.



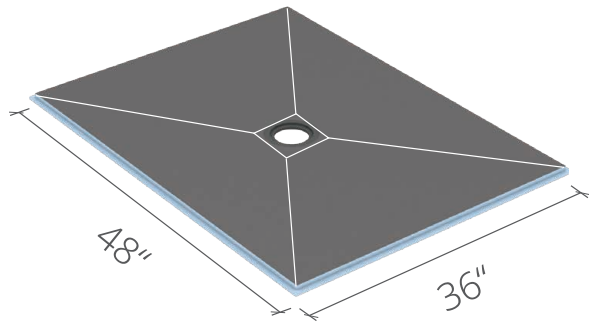
wedi Fundo® Curbless Shower Base ■ Technical Drawings

i White lines indicate where slope fields meet on shower base.

wedi Fundo® Curbless Shower Base

36 in. × 48 in. × 3/4 in.

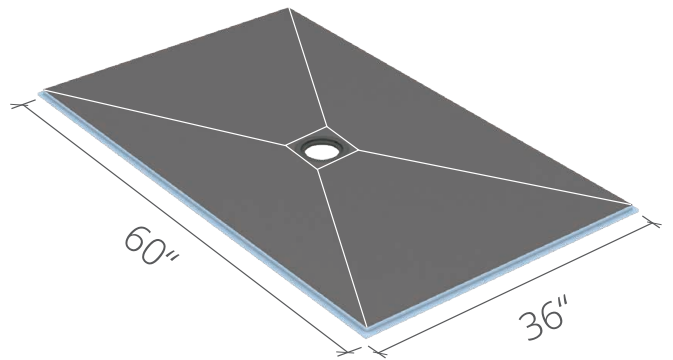
US9200001



wedi Fundo® Curbless Shower Base

36 in. × 60 in. × 3/4 in.

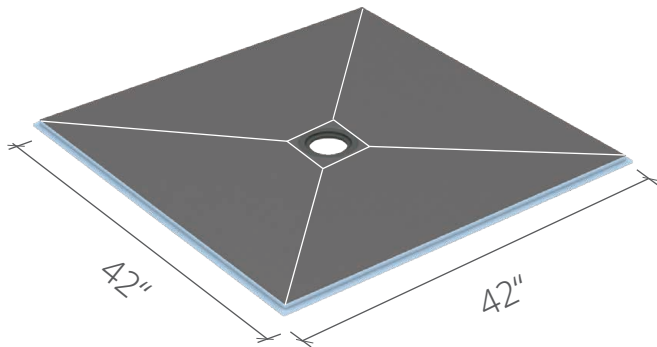
US9200003



wedi Fundo® Curbless Shower Base

42 in. × 42 in. × 3/4 in.

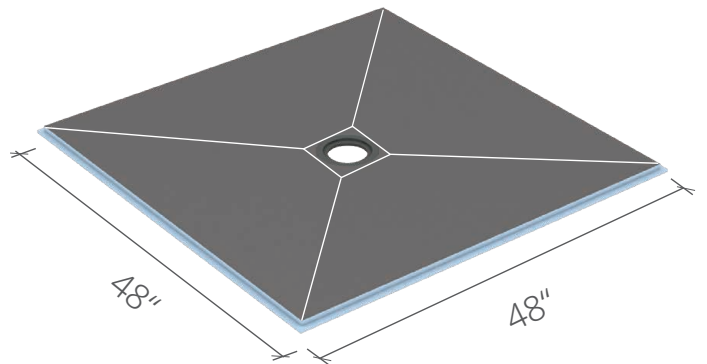
US9200006



wedi Fundo® Curbless Shower Base

48 in. × 48 in. × 3/4 in.

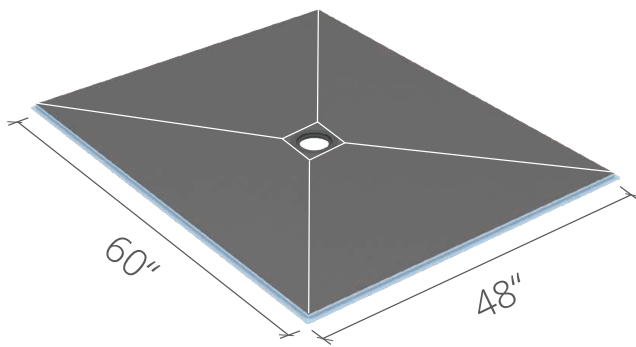
US9200002



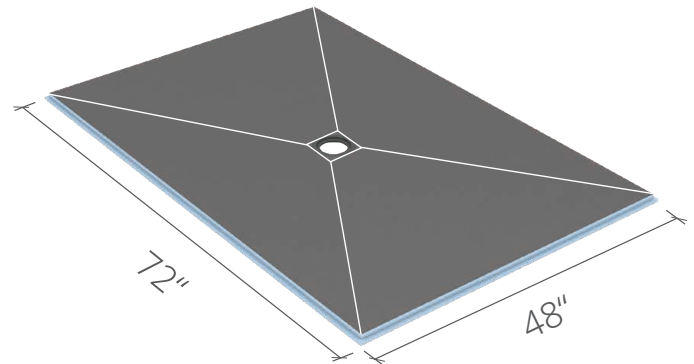
wedi Fundo® Curbless Shower Base ■ Technical Drawings

i White lines indicate where slope fields meet on shower base.

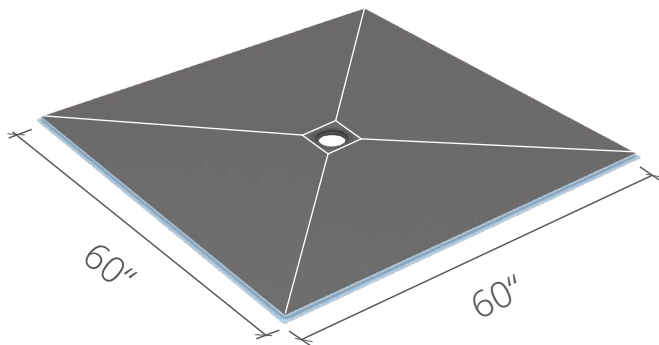
wedi Fundo® Curbless Shower Base
48 in. × 60 in. × 3/4 in.
US9200004



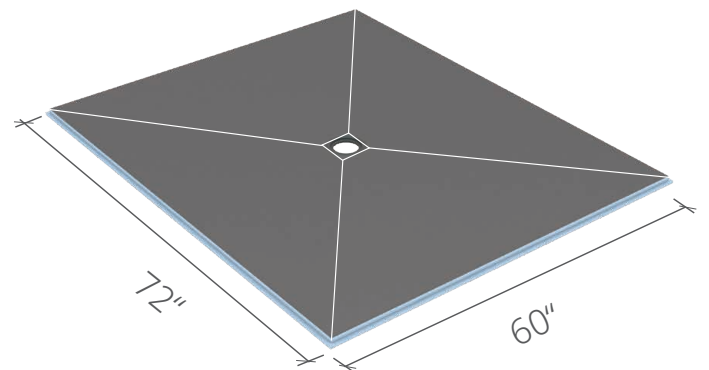
wedi Fundo® Curbless Shower Base
48 in. × 72 in. × 1 1/8 in.
US9200008



wedi Fundo® Curbless Shower Base
60 in. × 60 in. × 3/4 in.
US9200005



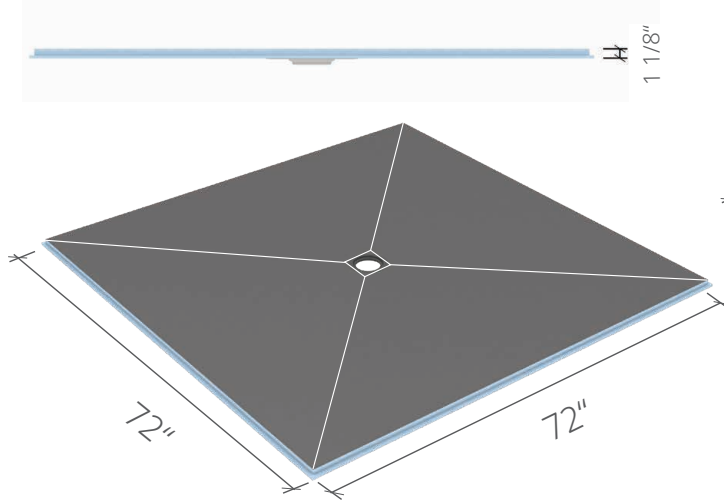
wedi Fundo® Curbless Shower Base
60 in. × 72 in. × 1 1/8 in.
US9200009



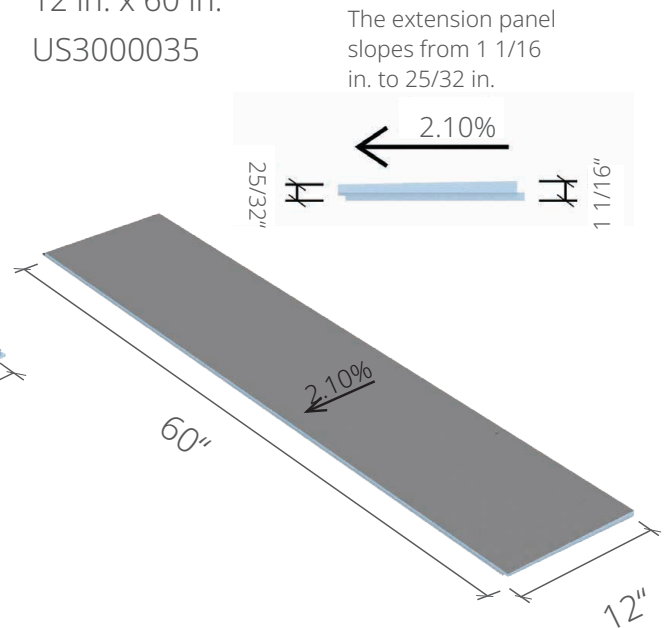
wedi Fundo® Curbless Shower Base ■ Technical Drawings

i White lines indicate where slope fields meet on shower base.

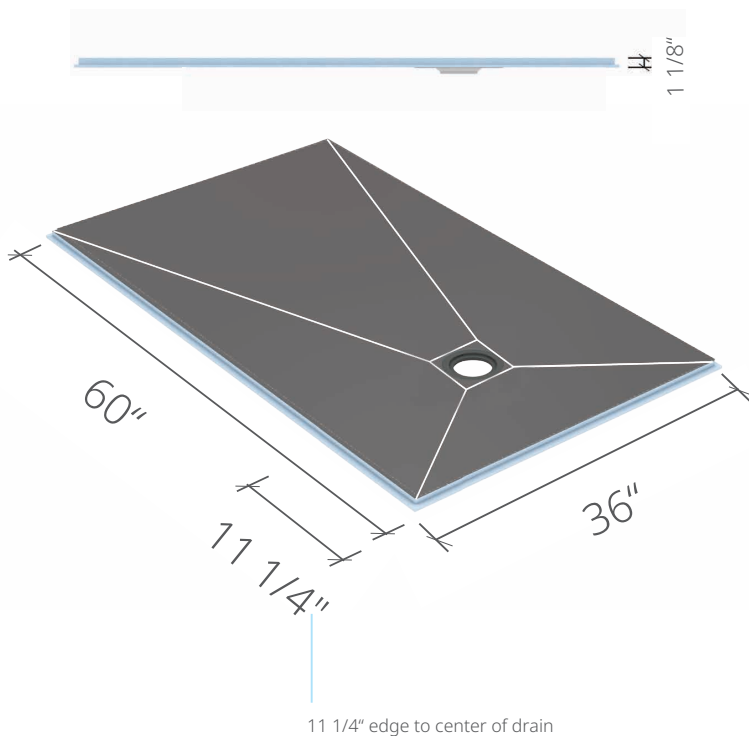
wedi Fundo® Curbless Shower Base
72 in. x 72 in. x 1 1/8 in.
US9200010



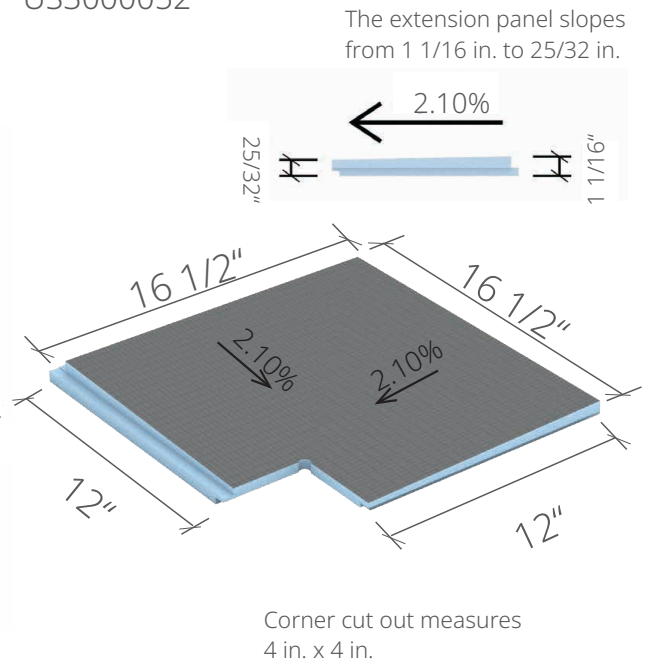
wedi® Curbless Shower Extension
12 in. x 60 in.
US3000035



wedi Fundo® Curbless Shower Base
36 in. x 60 in. x 1 1/8 in. (off-center drain)
US9200007



wedi® Curbless Shower Corner Extension
16 1/2 in. x 16 1/2 in. x 1 1/16 in.
US3000052



wedi Fundo® Linear Shower Base ■ Technical Drawings

i White lines indicate where slope fields meet on shower base.

wedi Fundo® Linear Shower Base

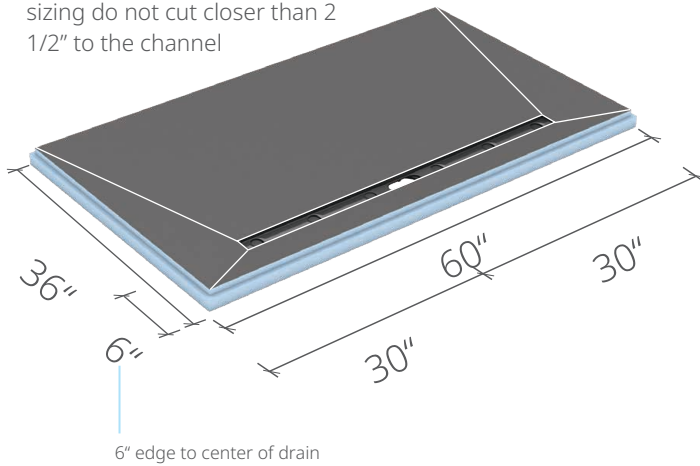
36 in. × 60 in. × 2 in.

Channel Length: 43 19/64 in.

US9310001 (4-way slope)



When cutting this base to modify sizing do not cut closer than 2 1/2" to the channel



wedi Fundo® Linear Shower Base

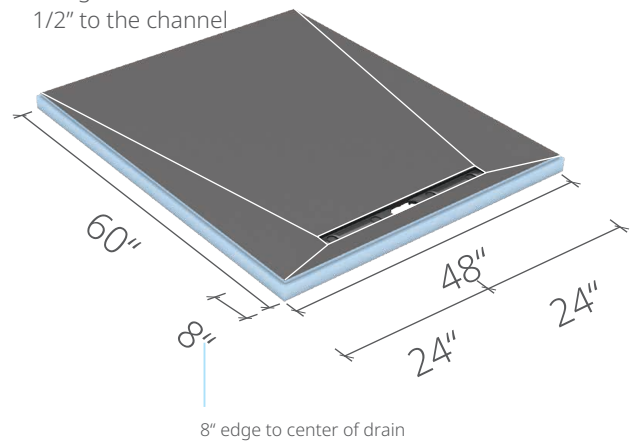
48 in. x 60 in. x 2 1/2 in.

Channel Length: 27 19/32 in.

US9310002 (4-way slope)



When cutting this base to modify sizing do not cut closer than 2 1/2" to the channel

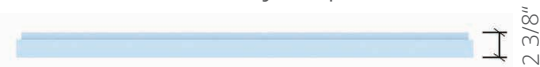


wedi Fundo® Linear Shower Base

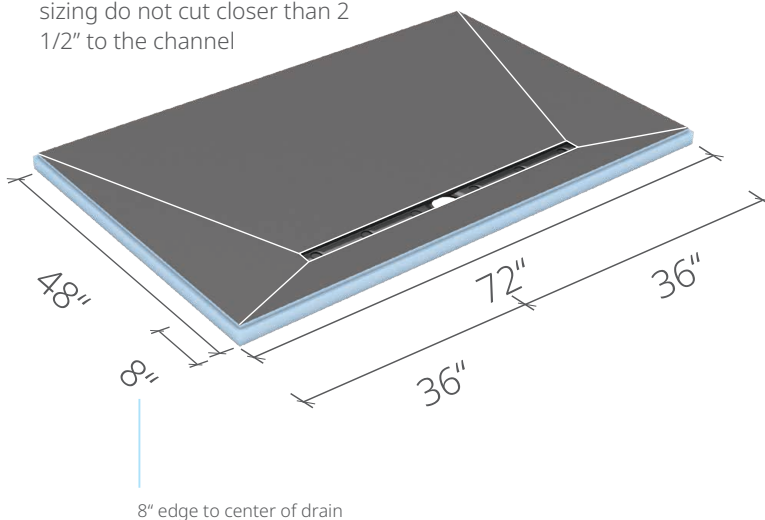
48 in. × 72 in. x 2 3/8 in.

Channel Length: 43 19/64 in.

US9310003 (4-way slope)



When cutting this base to modify sizing do not cut closer than 2 1/2" to the channel



wedi Fundo® Linear Shower Modules & Extensions ■ Technical Drawings

wedi Fundo® Linear Shower Module 32"

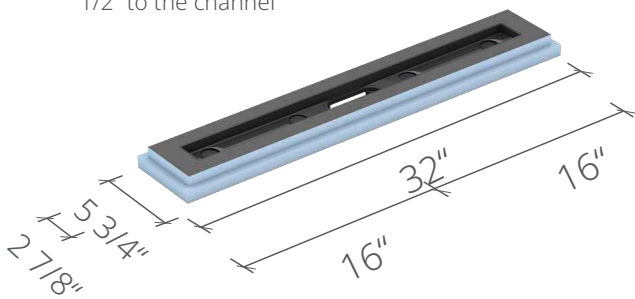
32 in. x 5 3/4 in.

Channel Length: 27 19/32 in.

US9320001



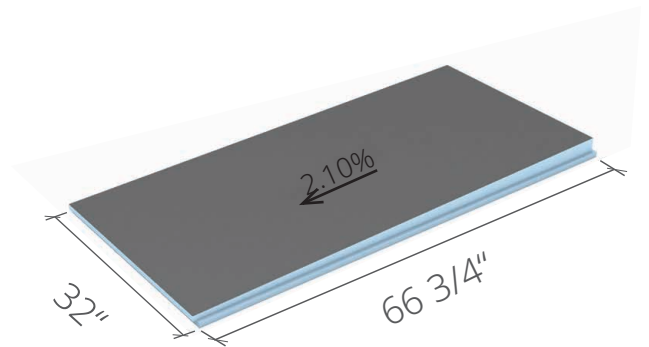
When cutting this base to modify sizing do not cut closer than 2 1/2" to the channel



wedi Fundo® Linear Shower Extension 32"

32 in. x 66 3/4 in.

US9330001



wedi Fundo® Linear Shower Module 36"

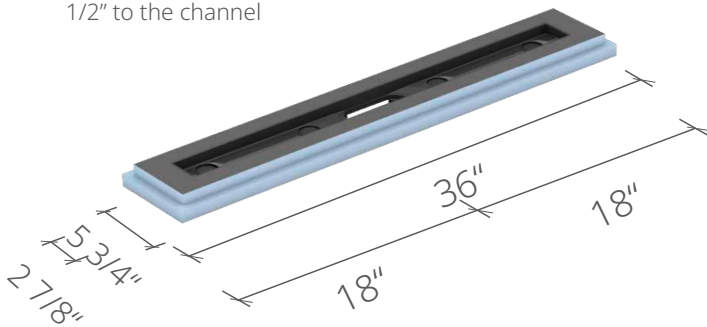
36 in. x 5 3/4 in.

Channel Length: 31 1/2 in.

US9320003



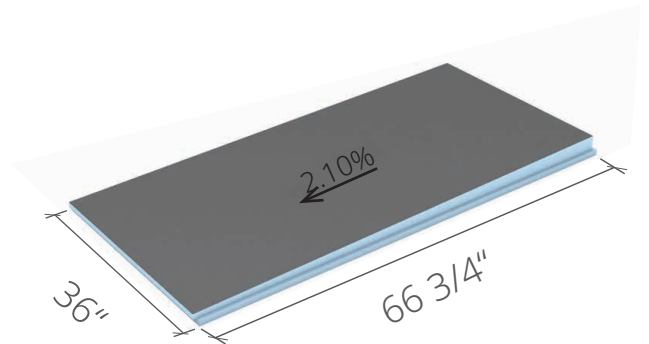
When cutting this base to modify sizing do not cut closer than 2 1/2" to the channel



wedi Fundo® Linear Shower Extension 36"

36 in. x 66 3/4 in.

US9330003



wedi Fundo® Linear Shower Modules & Extensions ■ Technical Drawings

wedi Fundo® Linear Shower Module 42"

42 in. x 5 3/4 in.

Channel Length: 35 7/16 in.

US9320004



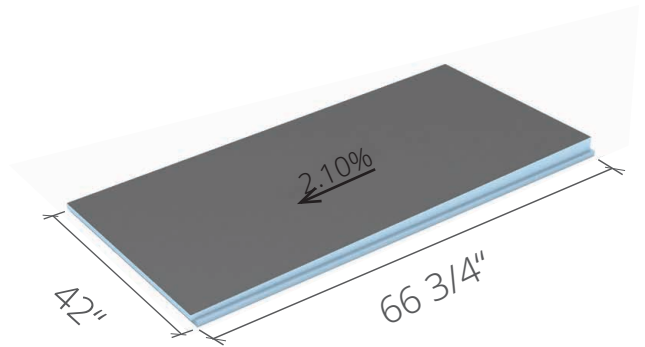
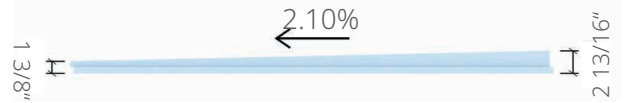
When cutting this base to modify sizing do not cut closer than 2 1/2" to the channel



wedi Fundo® Linear Shower Extension 42"

42 in. x 66 3/4 in.

US9330004

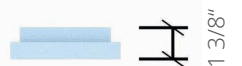


wedi Fundo® Linear Shower Module 48"

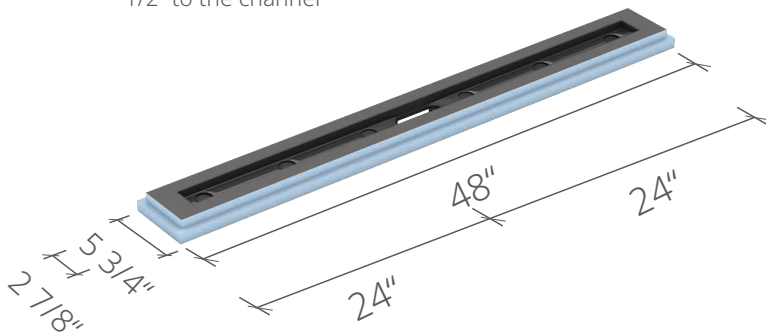
48 in. x 5 3/4 in.

Channel Length: 43 19/64 in.

US9320002



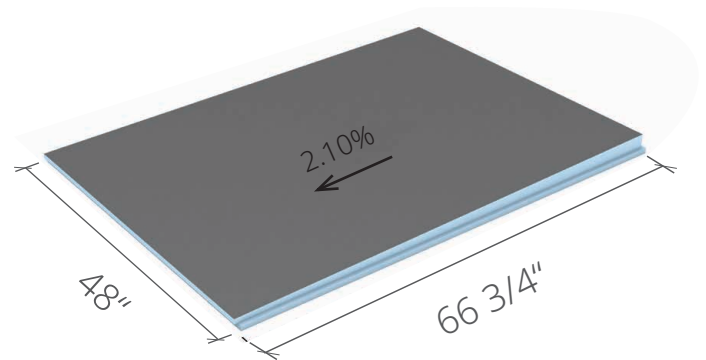
When cutting this base to modify sizing do not cut closer than 2 1/2" to the channel



wedi Fundo® Linear Shower Extension 48"

48 in. x 66 3/4 in.

US9330002



wedi Fundo® Linear Shower Modules & Extensions ■ Technical Drawings

wedi Fundo® Linear Shower Module 54"

54 in. x 5 3/4 in.

Channel Length: 43 19/64 in.

US9330005



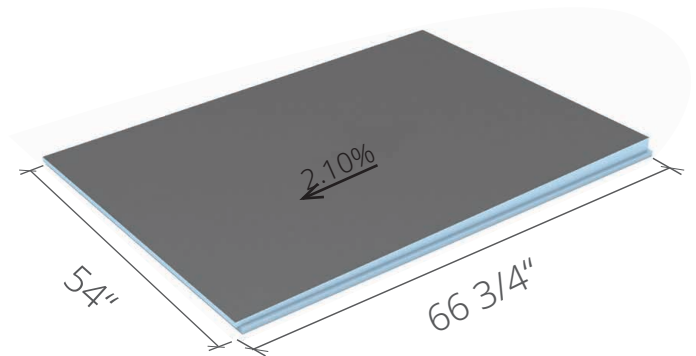
When cutting this base to modify sizing do not cut closer than 2 1/2" to the channel



wedi Fundo® Linear Shower Extension 54"

54 in. x 66 3/4 in.

US9330005



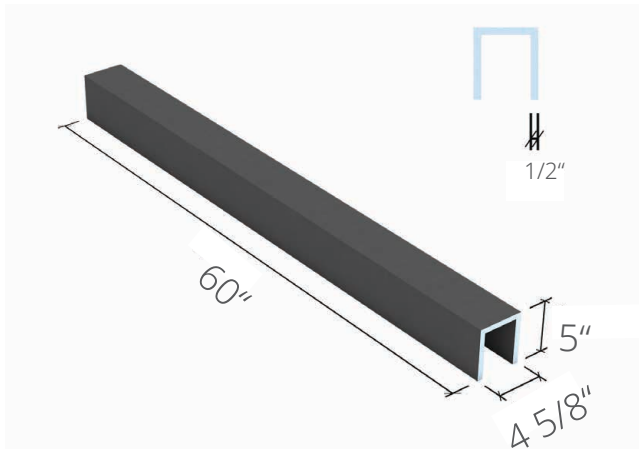
wedi® Shower Curb ▀ Technical Drawings

wedi® Shower Curb Cap 60"

exterior: 5 in. (H) x 4 5/8 in. (W) x 60 in. (L)

interior: 4 1/2 in. (H) x 3 5/8 in. (W)

US3000008

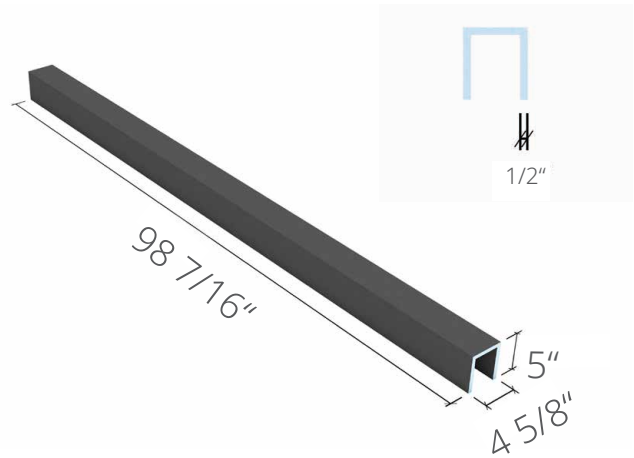


wedi® Shower Curb Cap 96"

exterior: 5 in. (H) x 4 5/8 in. (W) x 98 7/16 in. (L)

interior: 4 1/2 in. (H) x 3 5/8 in. (W)

US3000010

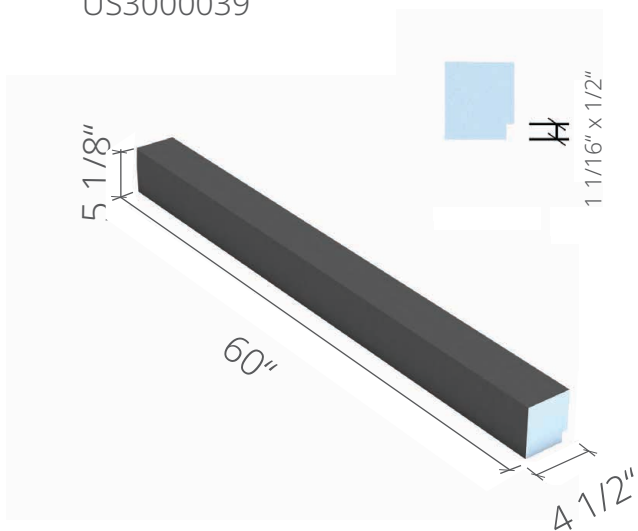


wedi® Shower Curb 60"

5 1/8 in. (H) x 4 1/2 in. (W) x 60 in. (L);

sloped top 1/8 in./ft.

US3000039

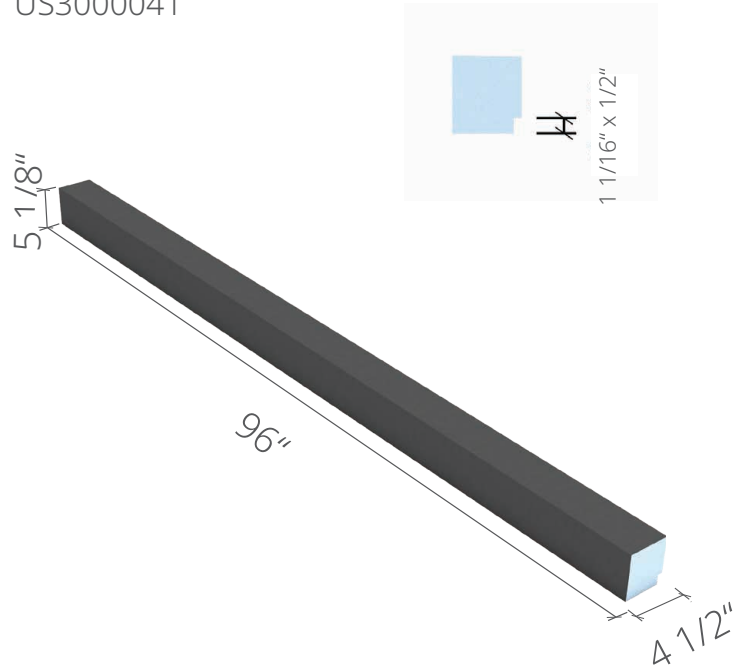


wedi® Shower Curb 96"

5 1/8 in. (W) x 4 1/2 in. (W) x 96 in. (L);

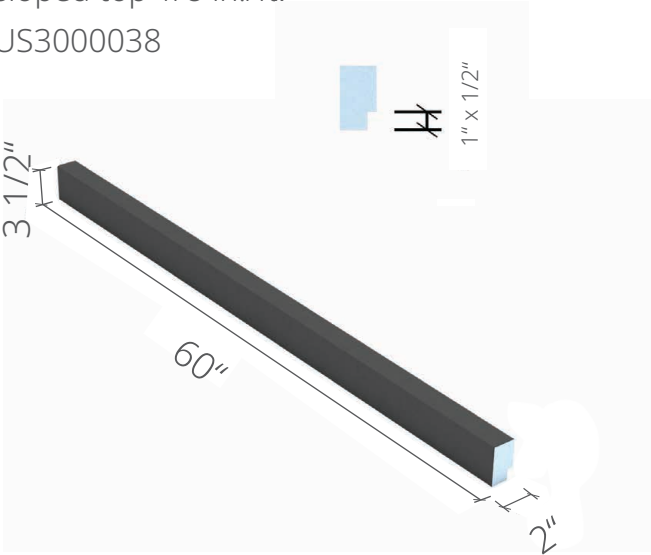
sloped top 1/8 in./ft.

US3000041

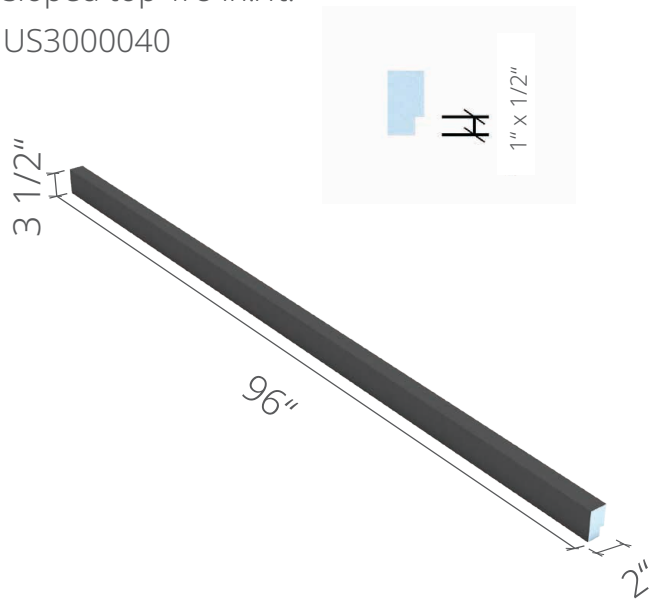


wedi® Shower Curb ■ Technical Drawings

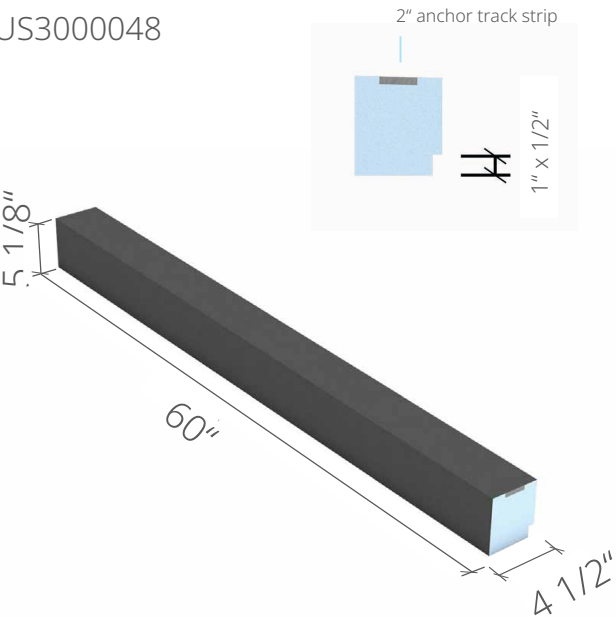
wedi® Shower Curb Lean 60"
 3 1/2 in. (H) x 2 in. (W) x 60 in. (L);
 sloped top 1/8 in./ft.
 US3000038



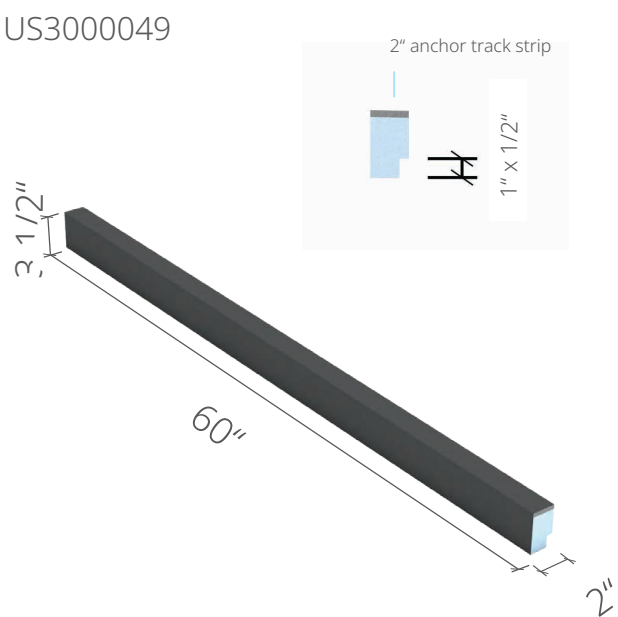
wedi® Shower Curb Lean 96"
 3 1/2 in. (H) x 2 in. (W) x 96 in. (L);
 sloped top 1/8 in./ft.
 US3000040



wedi® Shower Curb AT 60"
 5 1/8 in. (H) x 4 1/2 in. (W) x 60 in. (L);
 sloped top 1/8 in./ft.
 US3000048



wedi® Shower Curb Lean AT 60"
 3 1/2 in. (H) 2 in. (W) x 60 in. (L);
 sloped top 1/8 in./ft.
 US3000049



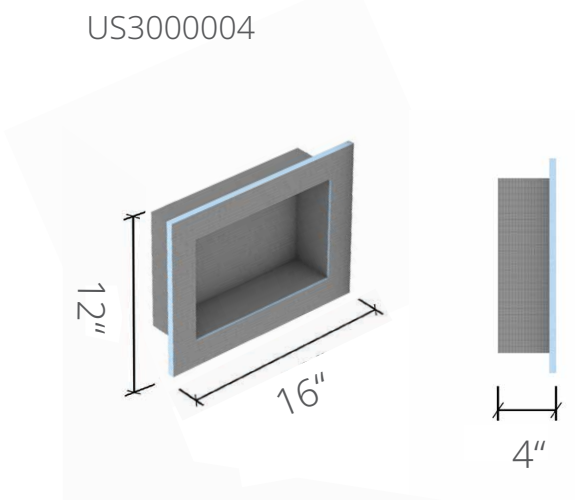
wedi® Shower Niche ■ Technical Drawings

wedi® Shower Niche 12"x8"

12 in. x 8 in. x 3 1/2 in. (int.)

16 in. x 12 in. x 4 in. (ext.)

US3000004

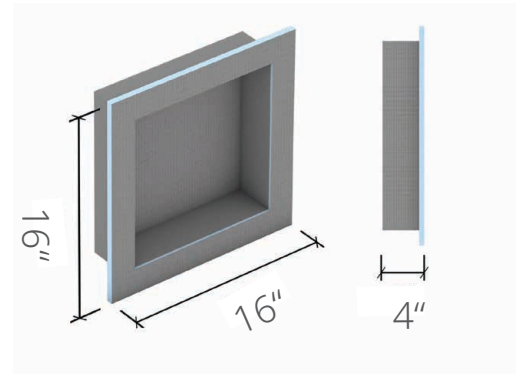


wedi® Shower Niche 12"x12"

12 in. x 12 in. x 3 1/2 in. (int.)

16 in. x 16 in. x 4 in. (ext.)

US3000005

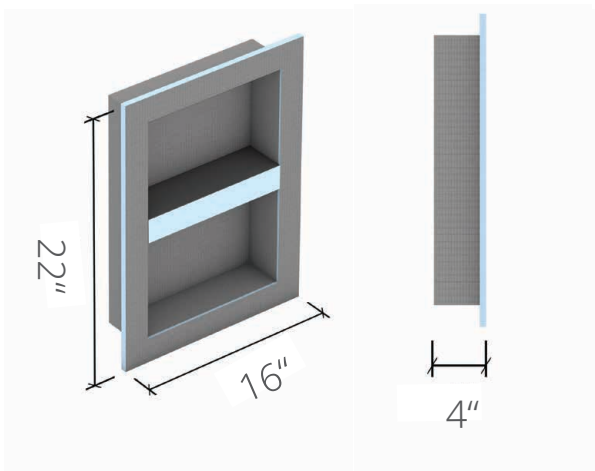


wedi® Shower Niche 12"x18"

12 in. x 18 in. x 3 1/2 in. (int.)

16 in. x 22 in. x 4 in. (ext.)

US3000007

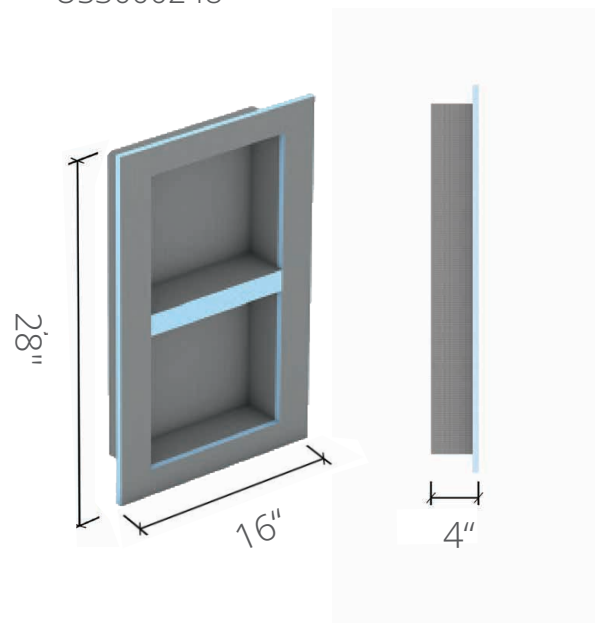


wedi® Shower Niche 12"x24"

12 in. x 24 in. x 3 1/2 in. (int.)

16 in. x 28 in. x 4 in. (ext.)

US3000248



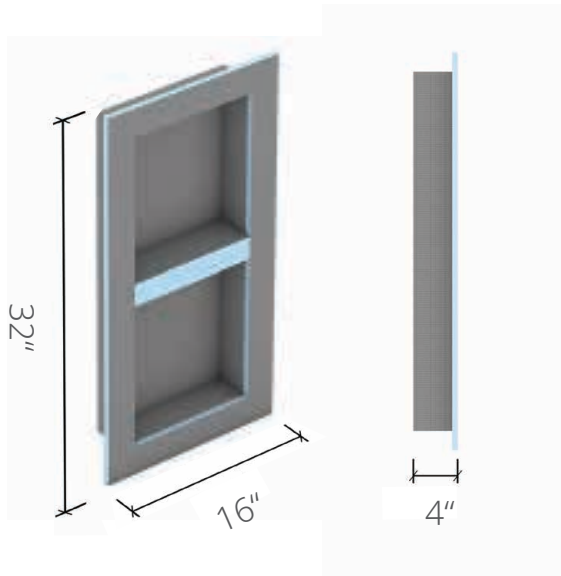
wedi® Shower Niche ■ Technical Drawings

wedi® Shower Niche 12"x28"

12 in. x 28 in. x 3 1/2 in. (int.)

16 in. x 32 in. x 4 in. (ext.)

US3000051

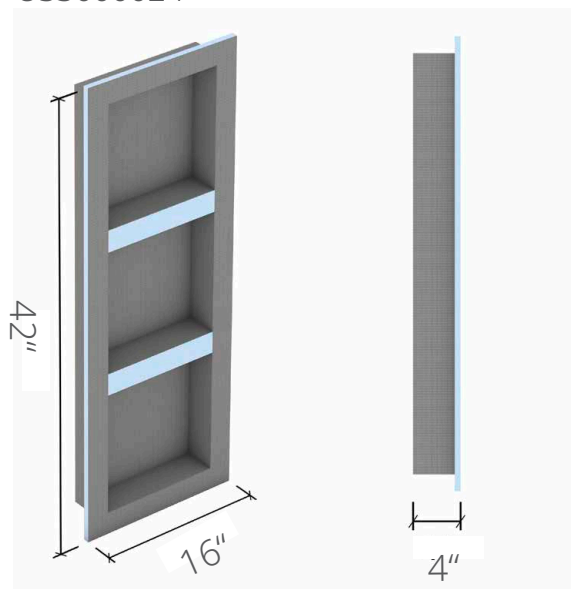


wedi® Shower Niche 12"x38 1/4"

12 in. x 38 1/4 in. x 3 1/2 in. (int.)

16 in. x 42 in. x 4 in. (ext.)

US3000024

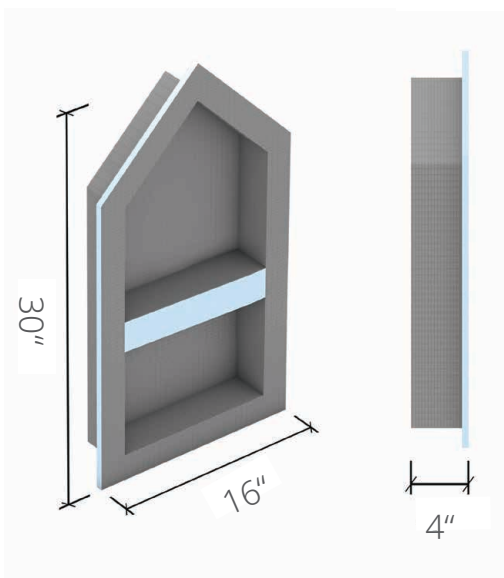


wedi® Shower Niche 12"x26"CAT

12 in. x 26 in. x 3 1/2 in. (int.)

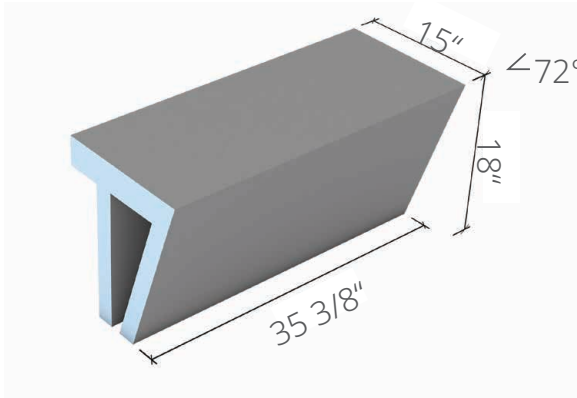
16 in. x 30 in. x 4 in. (ext.)

US3000016

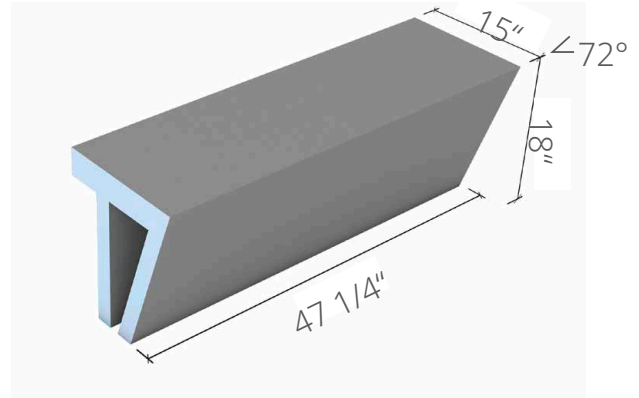


wedi Sanoasa® Shower Bench ■ Technical Drawings

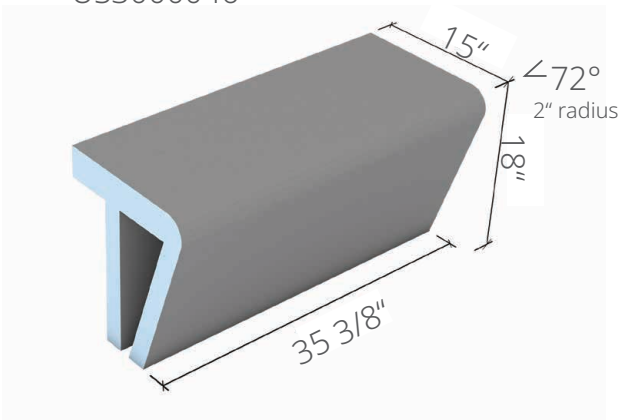
wedi Sanoasa® Shower Bench 2 M
35 3/8 in. x 18 in. x 15 in.; sloped top 1%
US3000044



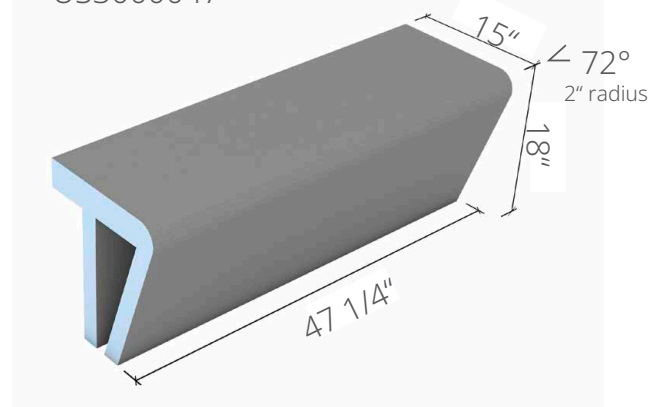
wedi Sanoasa® Shower Bench 2 L
47 1/4 in. x 18 in. x 15 in.; sloped top 1%
US3000045



wedi Sanoasa® Shower Bench 3 M
35 3/8 in. x 18 in. x 15 in.; sloped top 1%
US3000046

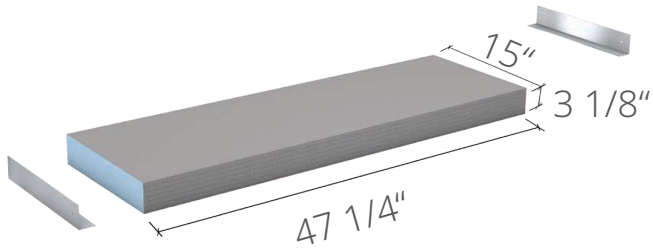


wedi Sanoasa® Shower Bench 3 L
47 1/4 in. x 18 in. x 15 in.; sloped top 1%
US3000047

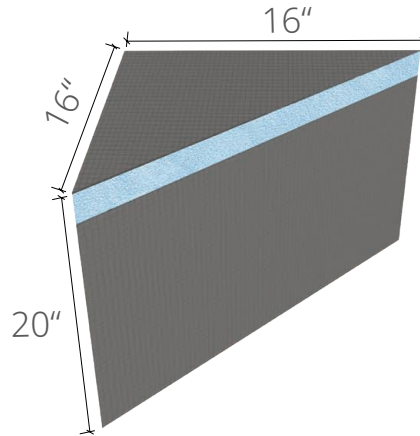


wedi Sanoasa® Shower Seat and Bench ■ Technical Drawings

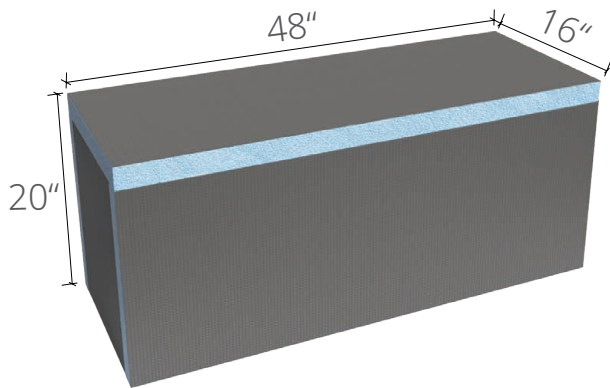
wedi Sanoasa® Shower Bench 4
47 1/4 in. x 3 1/8 in. x 15 in.; sloped top 1%
US3000000



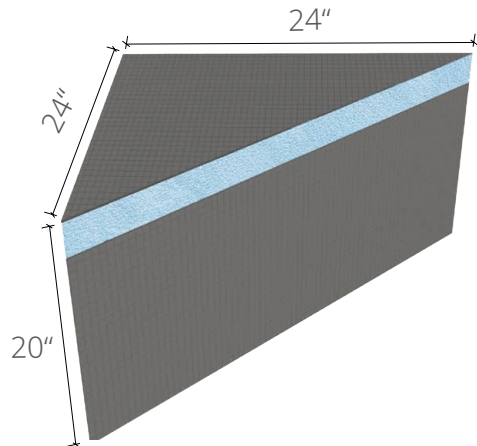
wedi® Shower Corner Bench Kit 16"
16 in. x 16 in. (wall sides) x 20 in.
US3000054



wedi® Shower Bench Kit 48"
48 in. x 16 in. x 20 in.
US3000056



wedi® Shower Corner Bench Kit 24"
24 in. x 24 in. (wall sides) x 20 in.
US3000055

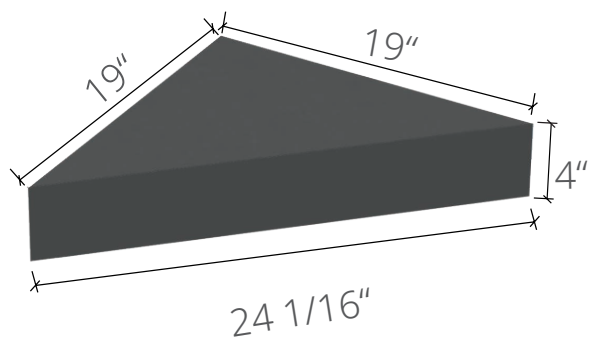


wedi® Shower Seat and Bench ■ Technical Drawings

wedi® Shower Seat M

19 in. x 19 in. (wall sides) x 4 in.;

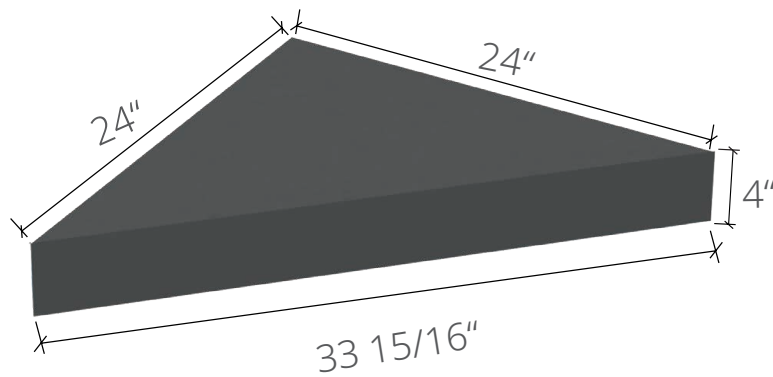
US3000001



wedi® Shower Seat L

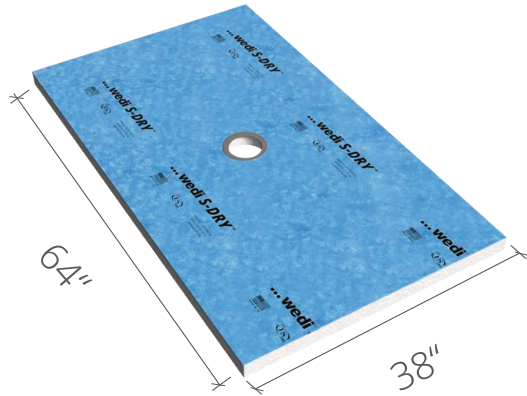
24 in. x 24 in. (wall sides) x 4 in.;

US3000002

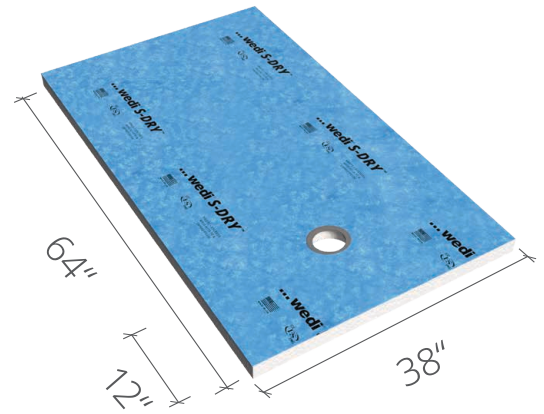


wedi® S-DRY™ Shower Base ■ Technical Drawings

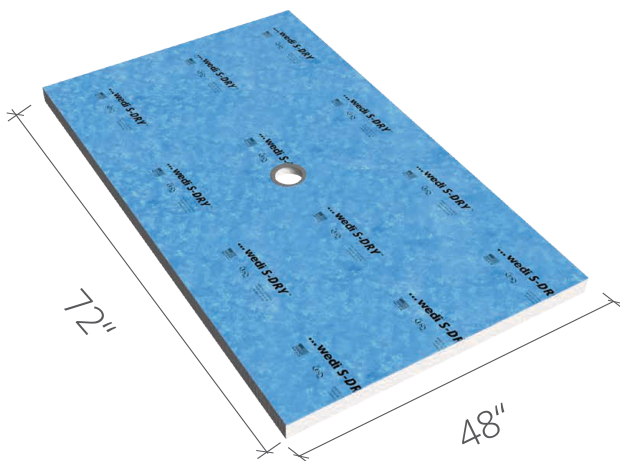
wedi® S-DRY™ Shower Base 38"x64"
38 in. x 64 in. x 1 1/8 in.
US9176001



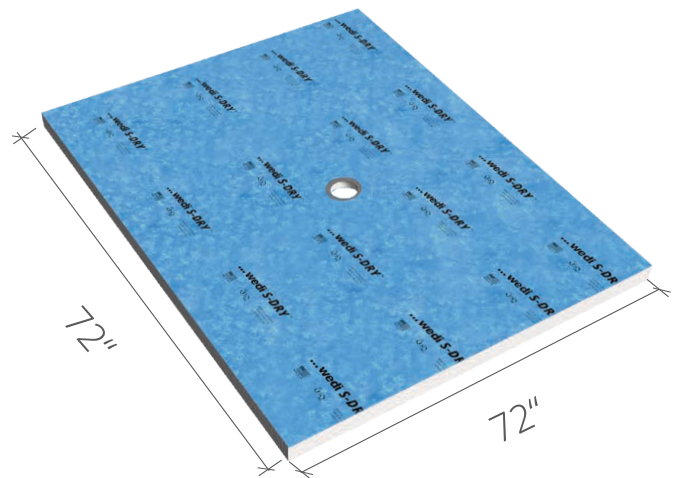
wedi® S-DRY™ Shower Base 38"x64"
38 in. x 64 in. x 1 3/8 in. (off-center drain)
US9176002



wedi® S-DRY™ Shower Base 48"x72"
48 in. x 72 in. x 1 1/8 in.
US9176003



wedi® S-DRY™ Shower Base 72"x72"
72 in. x 72 in. x 1 1/8 in.
US9176004

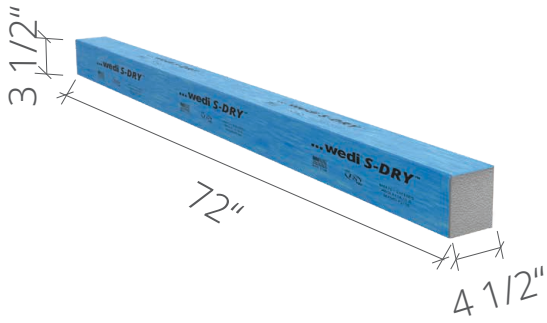


wedi® S-DRY™ Shower Base ■ Technical Drawings

wedi® S-DRY™ Shower Curb 72

4 1/2 in. x 3 1/2 in. x 72 in.

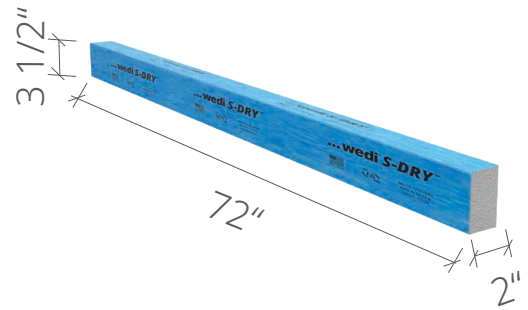
US3076001



wedi® S-DRY™ Shower Curb Lean 72

2 in. x 3 1/2 in. x 72 in.

US3076002

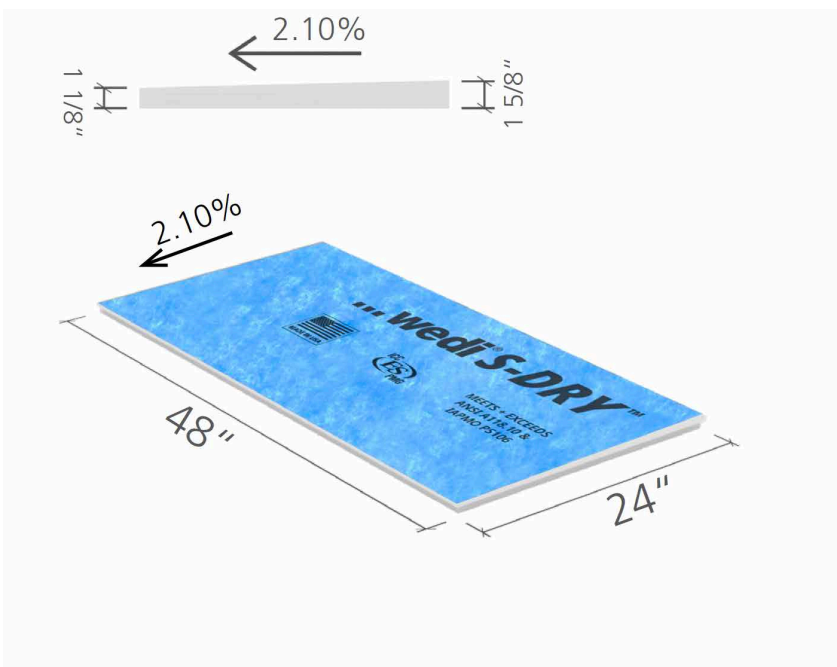


wedi® S-DRY™ Extension 24x48

24 in. x 48 in. x 1 5/8 - 1 1/8 in.

US3076003

The extension panel slopes from 1 1/8 in. to 1 5/8 in.

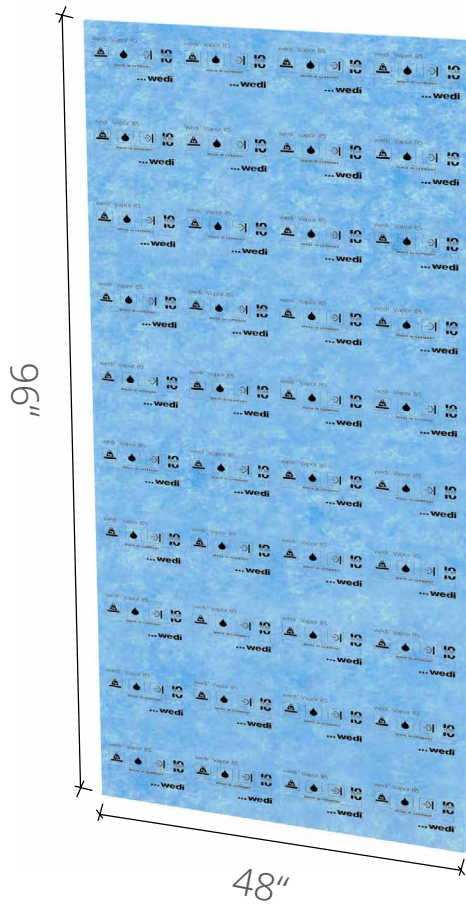


wedi® Vapor 85 ■ Technical Drawings

wedi® Vapor 85 48"x96"x1/2"

48 in. x 96 in. x 1/2 in.

US8000026





1160 Pierson Dr.
Batavia, IL 60510
1-847-357-9815
info@wedcorp.com/
www.wedcorp.com

www.instagram.com/wedcorp
www.youtube.com/wedcorp
www.facebook.com/wedcorp

wedi is a proud member of:



wedi-quality and performance certified by:



04/26, US7000247.
Subject to change without notice.

EN