



wedi® Fundo Click and Seal™ Drain Kit Technical Data Sheet

- One commercial grade, solid drain body that can connect to all styles of wedi Fundo Shower Bases
- Drain kit included with every Fundo shower base or kit (replacement drain kit sold separately)
- Pressure fit seal with a "click" sound- no plumbing license or glue needed to install
- Drain cover can be moved up to 1 ¼ inch high (vertical), and also up to 3/16 of an inch sideways (lateral) to accommodate any size tile.

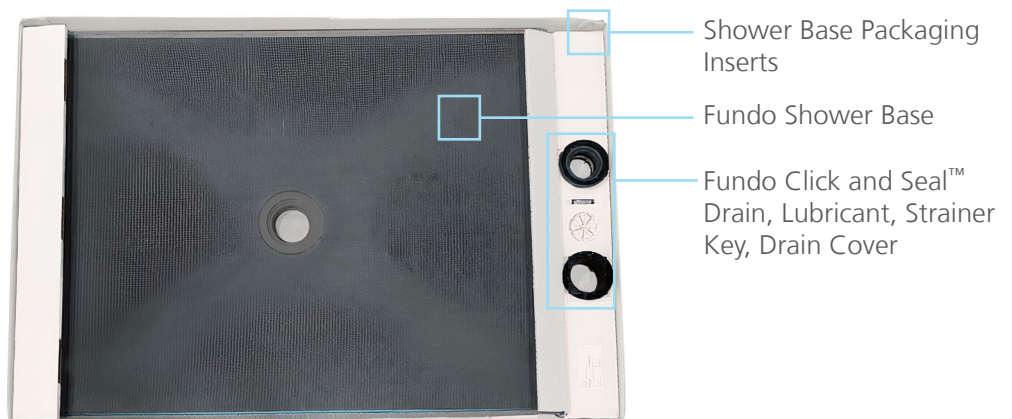
Product advantages and use

Our new Fundo Click and Seal™ wedi drain continues the successful performance of our previously used drain technology by ensuring safe performance over time, and offering added simplicity in assembly. The new wedi Fundo Click and Seal™ drain allows us to offer one drain and installation process that fits all our Fundo designs. Our customers can now enjoy all features and functional upgrades with wedi Fundo Click and Seal™ no matter the design of the shower, whether it is a standard point drain shower, a linear drain shower, or a curbless floor-even shower. This further simplifies the installation process and makes professional installer/crew training easier than before. Key features of wedi's Fundo Click and Seal™ drain are:

- A safe compression fit seal to the entire range of 2 in. floor waste pipes whether made of PVC, ABS, or Cast Iron.
- All drain parts function in a mechanical, simple and controlled process – with no glues or sealants needed
- wedi Fundo Click and Seal™ drain allows for a connection to a floor waste pipe that is easily cut flush with the floor, and it can connect safely even where the floor waste pipe is slightly angled (up to 5 Degrees). Please always test the seal of a drain to waste pipe connection by plugging up the drain and filling with water until it reaches the cement surface of the wedi shower base.
- wedi drain covers can be adjusted during tiling to meet all tile designs perfectly: 3/16 inch laterally in either direction, or from 1/4 inch to 1 1/4 inches in height.
- wedi Fundo Click and Seal™ features built in surface drainage slits to promote faster secondary drainage of water from thinset layer below tile finish, which allows the shower floor to dry much faster.



Fundo Click and Seal™ drain and installation accessories shown above come pre-packaged inside all Fundo Shower Base and Fundo Shower Kit boxes.



*Actual photo of shower base packaging

Technical Properties ■ wedi Systems

Properties & Test Methods Value (wedi Building Panel and Fundo Shower System Components)		
Waterproofness of Assembly **	ASTM E331	Passed, wedi Fundo Kit assembly (complete system)
Floor and Trench Drain Compliance *	ASME A112.18.2	Passed, Compliant (ICC PMG 1189)

* wedi Fundo Floor Systems tested
 **Entire wedi shower system tested

* Consult wedi for proper subfloor, tile, setting materials choice to design heavy duty commercial use floor surfaces.

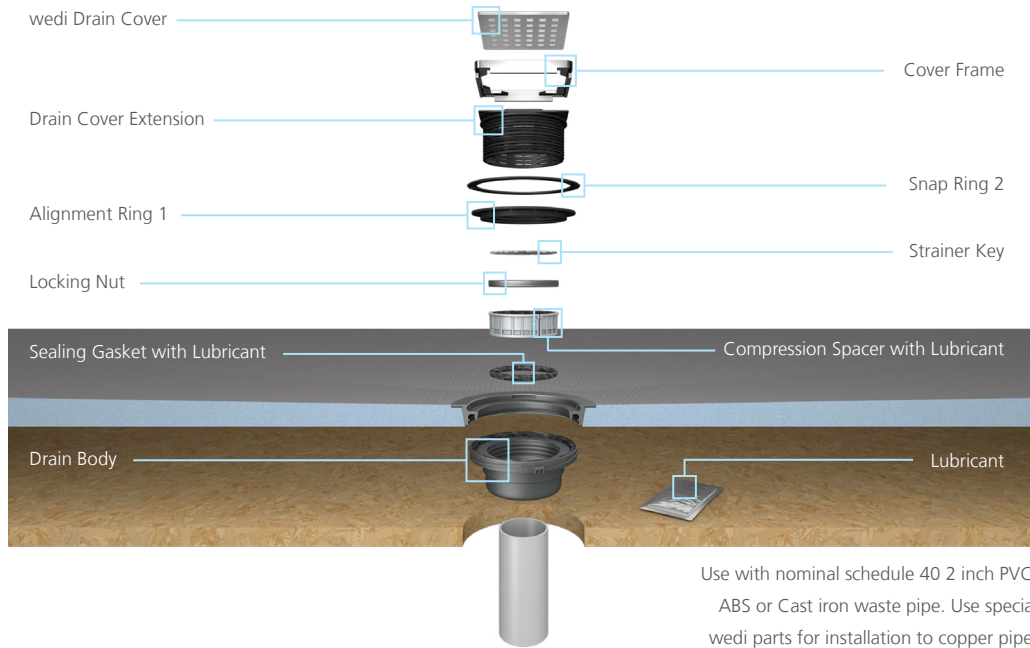
Approvals & Certificates				
Approvals and certificates applicable to entire Fundo Shower System incl. wedi Building Panel	City of New York, MEA 912-52-SM	Fundo Shower Systems & Building Panels: ICC PMG 1189 (for USA and Canada)	Meets all applicable ANSI/ISO Standards incl. ANSI 118.10 and IAPMO PS106	TCNA handbook recognized for wall, floor, countertop, & more applications
	City of Los Angeles Approved. Please see ICC PMG report.	BBA (British Board of Agrément)	DIN EN ISO 9001	CE marked
	Diverse State Approvals			
	SAI Global Watermark Certified (Australia & New Zealand)			

ICC-PMG 1189 Report ■ National Building Code Compliances

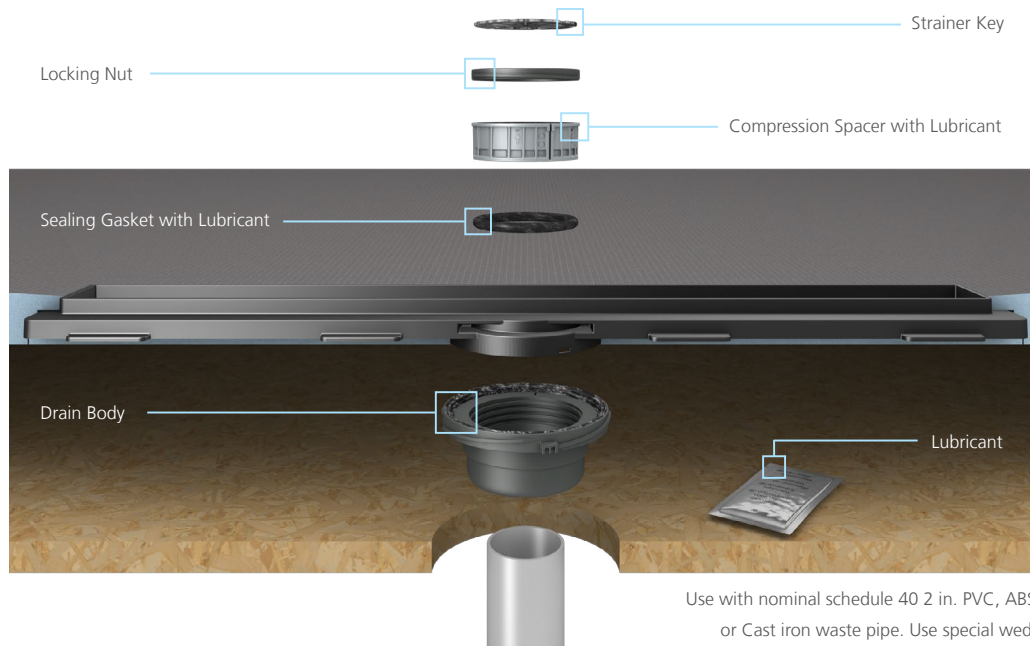
WEDI FUNDO SHOWER SYSTEM AND TILE BACKER BOARD UNDERLAYMENTS	
CSI	DIVISION: 22 00 00 – PLUMBING Section: 22 40 00 – Plumbing Fixtures (Shower System Kit)
Product certification system	The ICC-ES product certification system includes testing samples taken from the market or supplier's stock, or a combination of both, to verify compliance with applicable codes and standards. The system also involves factory inspections, and assessment and surveillance of the supplier's quality system.
Product	wedi Fundo Shower System and Tile Backer Board Underlayments
Listee	wedi Corporation ■ 1160 Pierson Drive, Batavia, IL 60510 www.wedicorp.com
Compliance with the following codes	2021, 2018, 2015, 2012 and 2009 International Plumbing Code® (IPC) 2021, 2018, 2015, 2012 and 2009 International Residential Code® (IRC) 2021, 2018, 2015, 2012 and 2009 International Building Code® (IBC) 2021, 2018, 2015, 2012 and 2009 National Standard Plumbing Code® (NSPC) 2021, 2018, 2015, 2012 and 2009 Uniform Plumbing Code® (UPC)* 2019, 2016 and 2013 California Plumbing Code (CPC)* 2020 and 2017 City of Los Angeles Plumbing Code 2015, 2010 and 2005 National Plumbing Code of Canada** * Uniform Plumbing Code is a copyrighted publication if the International Association of Plumbing and Mechanical Officials ** National Plumbing Code of Canada is a copyrighted publication of National Research Council Canada
Compliance with the following standards	ANSI A118.10-2020, Load Bearing, Bonded, Waterproof Membranes for Thin-Set Ceramic Tile and Dimension Stone Installations ASME A112.6.3-2019, Floor and Trench Drains ASTM E 96-2021, Standard Test Methods for Gravimetric Determination of Water Vapor Transmission of Materials ASTM E 331-00(R16), ASTM E331-00(2016) Standard Test Method for Water Penetration of Exterior Windows, Skylights, Doors, and Curtain Walls by Uniform Static Air Pressure Difference ICC-ES EG 159, Evaluation Guideline for Composite Backer Board (Approved Dec 2004) ICC-ES AC 71, Acceptance Criteria for Foam Plastic Sheathing Panels Used as Water Resistive Barriers (Approved Feb 2003, Ed Revised Nov 2018) IAPMO PS 46-2012, Field Fabricated Tiling Kits IAPMO PS 106-2015e1, Tileable Shower Receptors and Shower Kits
Identification	Packaging label for each system shall include the manufacturer's name or trademark as well as the ICC-ES PMG certification mark.
Installation	The wedi Fundo Shower Systems shall be installed in accordance with the manufacturer's published instructions and the applicable code(s). The wedi Fundo Shower system components shall be assembled and can be customized in the field. When provided drains must comply with ASME A112.18.2/CSA B125.2 as applicable. The wedi pre-sloped, ready-to-tile shower bases may be used in lieu of a CSA B45.5/IAPMO Z124 plastic shower receptors or any liner based shower installations. The wedi drain units do not require weep holes.
Listed Models and Characteristics	The wedi Fundo Shower Systems consist of the following: a) The wedi waterproof Fundo show bases are waterproof, pre-sloped, ready-to-tile floor units. The shower bases with linear and point drainage include factory sealed parts integrated into the floor bases and can be installed with or without curbs in recess, barrier free installations. b) The wedi waterproof building panels which are engineered as a general purpose backer board and underlayment for tile as well as an integral part of the Fundo shower system and consist of a rigid extruded polystyrene foam covered on both sides with a cement-based resin surface and reinforcing mesh for durability and bond performance with tile adhesives. c) the wedi Vapor 85 Building Panel which may be used with or without wedi shower systems. It is a specialized building panel featuring the original wedi Building Panel but with its vapor exposed side protected by wedi Subliner Dry. The wedi Vapor 85 was tested to ASTM E96 Procedure E as a complete assembly with the wedi 620 joint sealing membrane and wedi Subliner Dry sealing tape over seams and fastener points and was found to have a perm rating of 0.03 perms which meets the permeance rating requirement of 0.5 perm or less and can be used in continuous use steam shower/room applications without additional vapor retarders in accordance with Tile Council of North America (TCNA) 2014 Handbook for Ceramic Glass and Stone Tile Installation (SR613-14 and SR614-14). d) The wedi waterproof Fundo Shower system accessories which may include the following waterproof components: wedi pre-sloped curbs, wedi niches, wedi seats, wedi fasteners, wedi drain cover plates, wedi sealants, wedi Fundo drains, wedi Subliner sheet waterproofing membrane system and tapes, with wedi Subliner Dry Bonding Flange drain, wedi Subliner Dry Tub Sealing Tape. The wedi Fundo family line includes the following: Primo, Riolito, Riolito Modular, Riofino, Discreto, Ligno and OneStep. The wedi Fundo Shower system components and assembly for shower installations were proven to be waterproof, water-resistant, and mold resistant when tested in accordance with A118.10-2014 and ASTM E331. The wedi drains have found to comply with with ASME A112.18.2/CSA B125.2 and do not require weep holes.

Drain and Base Assembly Properties

Primo Base Assembly with wedi Fundo Click and Seal™ Drain



Riolito Base and Line Module Assembly with wedi Fundo Click and Seal™ Drain



wedi® Fundo Click and Seal™

To learn more about the wedi® Fundo Click and Seal™ drain, [click here](#).

Pre-During-Post Installation Care and Preparation

To view pre-during-post installation care and preparation, download the Click and Seal Launchbook for Contractors manual [here](#).

Requirements/Limitations for wedi products used in Shower and Wet Room applications

To view general limitations, view our Requirements/Limitations section of our technical handbook [here](#) and as it may apply to the wedi® Fundo Click and Seal™ drain

Warranty

To view our information regarding our general and PRO system warranties, or to submit your PRO warranty registration form, [click here](#). A copy of wedi's 10, 15 and 20-year system warranty information can be downloaded by clicking on the button at the top of the page: [Download Warranty](#).

Training, Installation Resources and Technical Support

To view our training and workshop schedule, [click here](#).

To download our digital technical handbook, [click here](#).

To get in touch with your local technical sales support manager, [click here](#) and select your state to be provided with contact information. Or, scroll down and fill out the contact form to send a message directly to your local technical sales support manager!

Architectural Support

- Virtual and in-person AIA Presentations for CEU's
- Specification assistance, technical drawings and more
- For more information, contact Austin Rott, our Commercial Project Division Sales Manager at:
email: austin.rott@wedincorp.com
phone: [310-279-9132](tel:310-279-9132).